

ACCESSORIES FOR SZE3 CABINETS

ACCESSORIES FOR MOUNTING ELECTRICAL EQUIPMENT

**Electric meter box**

It is used for installation of electricity meters in the SZE3 cabinet with 19" swing frame or 19" mounting profiles.

**Material**

Steel sheet powder painted in RAL 7035

**Scope of delivery**

Electric meter box with fixing accessories for mounting to the cabinet.



Installation method to the cabinet	External dimensions [mm]			Internal dimensions [mm]		Catalogue number
	height [mm]	width [mm]	depth [mm]	height [mm]	width [mm]	
On 19" mounting profiles or 19" swing frame (pages 85, 82)	444.5 (10 U)	482.6	100	402	440	WZ-5716-A1-16-01-011
			150	402	440	WZ-5716-38-01-011

Package: 1 pc

**Voltage distribution panel**

Universal 19" enclosure for modular devices.

**Capacity of panel**

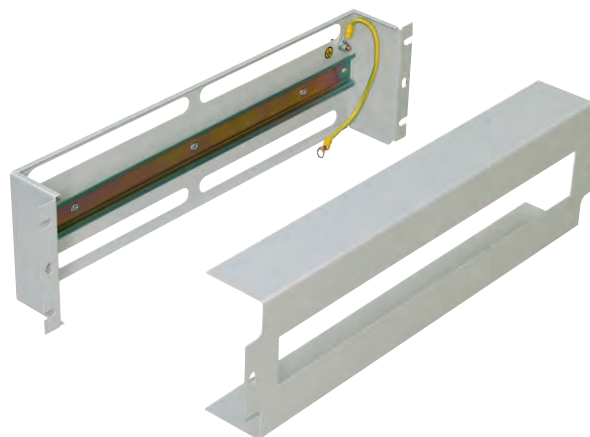
Maximum number of built-in S-type modules (width of module 17.5 mm): 22 pcs.

**Material**

Steel sheet powder painted in RAL 7035

**Scope of delivery**

Mounting base, DIN rail, housing, fixing accessories for mounting to the cabinet.



**Note:**

On individual request, the panel can be fitted with electrical equipment.

Installation method to the cabinet	External dimensions [mm]			Internal dimensions [mm]		Catalogue number	
	height [mm]	width [mm]	depth [mm]	height [mm]	width [mm]	RAL 7035	RAL 9005
On 19" mounting profiles or 19" swing frame (pages 85, 82)	133 (3 U)	482.6	60	130	440	WZ-PS3U-00-00-011	WZ-PS3U-00-00-161

Package: 1 pc