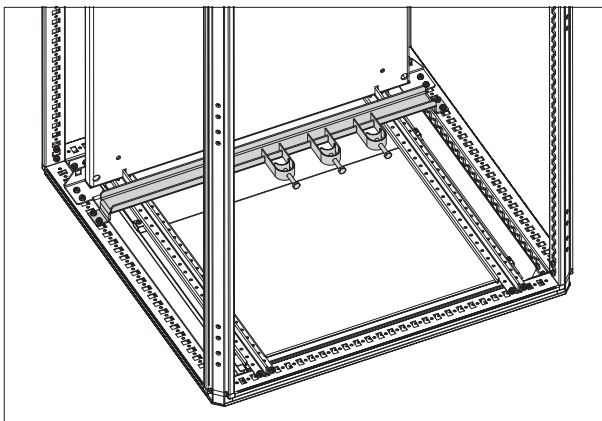


## ACCESSORIES FOR SZE3 CABINETS

## CABLE MANAGEMENT

**Cable bar mounted to cabinet's frame**

For fixing cables that enter the cabinet.  
Fixed into the horizontal profile of the cabinet's frame.

**Material**

Al-Zn coated sheet steel

**Scope of delivery**

Cable bar with fixing accessories.

Cable clamps should be ordered separately.

For cabinet width [mm]	Catalogue number
600	WZ-6282-72-04-000
800	WZ-6282-72-03-000
1000	WZ-6282-72-02-000
1200	WZ-6282-72-01-000

Package: 1 pc.

**Cable clamps**

For fixing cables on the cable bar fixed to the cabinet's frame or plinth.

**Material**

Zinc coated sheet steel

**Scope of delivery**

Cable clamp - 5 pcs

For cable diameter [mm]	Catalogue number
8-12	WZ-K12U-00-00-000/5
12-16	WZ-K16U-00-00-000/5
16-20	WZ-K20U-00-00-000/5
20-24	WZ-K24U-00-00-000/5
24-28	WZ-K28U-00-00-000/5
28-32	WZ-K32U-00-00-000/5
32-36	WZ-K36U-00-00-000/5
36-40	WZ-K40U-00-00-000/5
40-44	WZ-K44U-00-00-000/5
44-48	WZ-K48U-00-00-000/5
48-52	WZ-K52U-00-00-000/5
52-56	WZ-K56U-00-00-000/5

Package: 5 pcs

## ACCESSORIES FOR SIZE3 CABINETS

### CABLE MANAGEMENT

#### Cable bar mounted to plinth

For fixing cables that enter the cabinet.  
Screwed to the cabinet plinth through the cable bar bracket.

**Material**

Al-Zn coated sheet steel

**Scope of delivery**

Cable bar without fixing accessories  
(cage nuts, screws M6, washers - see page 86).  
Cable clamps should be ordered separately.



For cabinet width [mm]	Catalogue number
600	WZ-1951-22-04-000
800	WZ-1951-22-03-000
1000	WZ-1951-22-02-000
1200	WZ-1951-22-01-000

Package: 1 pc.

#### Cable bar bracket

For mounting the cable bar on the modular plinth.

**Material**

Al-Zn coated sheet steel

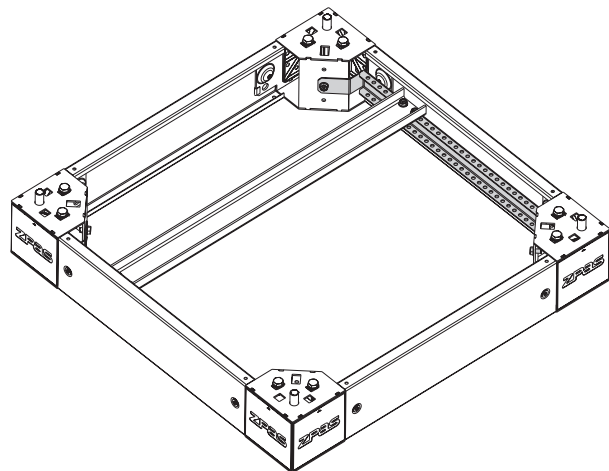
**Scope of delivery**

Two supports for cable bar with fixing accessories.



For cabinet depth [mm]	Catalogue number
400	WZ-6935-75-09-000
500	WZ-6935-75-07-000
600	WZ-6935-75-05-000
800	WZ-6935-75-03-000

Package: 1 pc.



## ACCESSORIES FOR SZE3 CABINETS

## BAYING CABINETS IN ROWS

**Mounting plate infill**

The plate infill makes it possible to achieve uniform mounting plane in cabinets bayed in rows.

**Material**

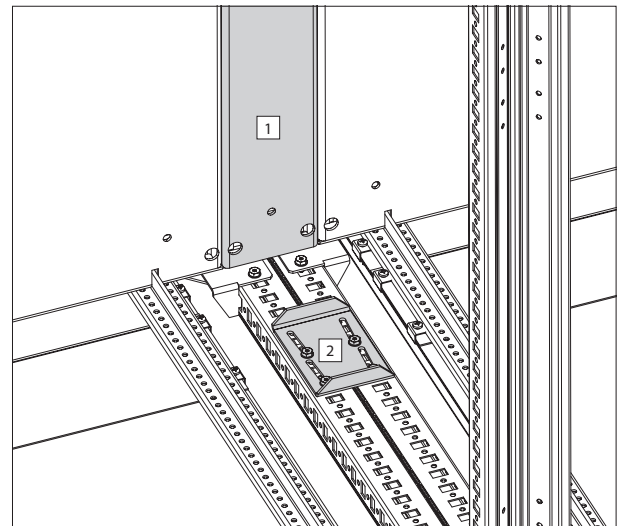
Zinc coated sheet steel

**Scope of delivery**

Mounting plate infill with fixing accessories.

For cabinet height [mm]	Catalogue number
2000	WZ-6282-24-02-000
2200	WZ-6282-24-01-000

Package: 1 pc.



- 1 - mounting plates connector  
2 - frame connector - type A

ACCESSORIES FOR SIZE3 CABINETS

BAYING CABINETS IN ROWS

**Frame connectors and gasket**

For baying cabinets in rows.

**Material**

Frame connectors - Al-Zn coated sheet steel.

Gasket - polyurethane foam.

**Scope of delivery**

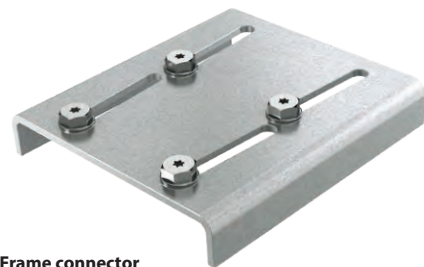
Frame connectors with fixing accessories, self-adhesive gasket - see table below.

Elements available separately or in set.

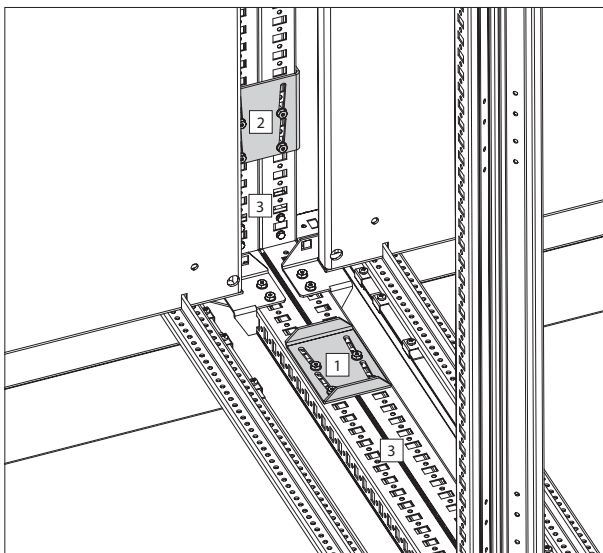
Description	Package	Catalogue number
Set for baying two cabinets together: - frame connectors type A - 4 pcs - frame connectors type B - 2 pcs - self-adhesive gasket - 6 m - fixing accessories	1 set	WZ-6678-00-00-000-EM/S



**Frame connector type A**  
for connecting lower and upper horizontal profiles and front vertical profiles of cabinets' frames



**Frame connector type B**  
for connecting rear vertical profiles of cabinets' frames



- 1 - frame connector – type A
- 2 - frame connector – type B
- 3 - self-adhesive gasket mounted on connection of cabinets' frames



Self-adhesive gasket