

## SZE3 SYSTEM CABINETS

info@fracksystems.se  
+46 854063722



SZE3 SYSTEM CABINETS

# SZE3 SYSTEM CABINETS



Versatile bolted enclosure for indoor applications both in automation and power industry, for installing various devices on a mounting plate or an internal rack. The cabinet has a frame structure, based on closed profiles, perforated in two planes. This gives unlimited possibilities for interior installation and allows to easily connect cabinets in series.

SZE3 cabinet comes in 32 varieties of sizes. For more information please contact our Sales Department to choose the suitable for your need. Other untypical dimensions (e.g. with a height of 1800 mm) are also possible.

SZE3 cabinets are also available in a version suitable for outdoor applications (special painting), or in stainless steel.



Cabinet 800 mm wide including 19" swing frame

## REFERENCE CHART

	Total width of the cabinet [mm]	Total depth of the cabinet [mm]	Height of the cabinet without plinth [mm]	
			2000	2200
			Catalogue numbers of cabinets in basic configuration	
Cabinets with single-leaf door	600	400	WZ-SZE3-2032-S10A-00-111-00-0-011	WZ-SZE3-2216-S10A-00-111-00-0-011
		500	WZ-SZE3-2031-S10A-00-111-00-0-011	WZ-SZE3-2215-S10A-00-111-00-0-011
		600	WZ-SZE3-2030-S10A-00-111-00-0-011	WZ-SZE3-2214-S10A-00-111-00-0-011
		800	WZ-SZE3-2029-S10A-00-111-00-0-011	WZ-SZE3-2213-S10A-00-111-00-0-011
Cabinets with double-leaf door	800	400	WZ-SZE3-2028-S10A-00-111-00-0-011	WZ-SZE3-2212-S10A-00-111-00-0-011
		500	WZ-SZE3-2027-S10A-00-111-00-0-011	WZ-SZE3-2211-S10A-00-111-00-0-011
		600	WZ-SZE3-2026-S10A-00-111-00-0-011	WZ-SZE3-2210-S10A-00-111-00-0-011
		800	WZ-SZE3-2025-S10A-00-111-00-0-011	WZ-SZE3-2209-S10A-00-111-00-0-011
Cabinets with double-leaf door	1000	400	WZ-SZE3-2024-S10A-00-111-00-0-011	WZ-SZE3-2208-S10A-00-111-00-0-011
		500	WZ-SZE3-2023-S10A-00-111-00-0-011	WZ-SZE3-2207-S10A-00-111-00-0-011
		600	WZ-SZE3-2022-S10A-00-111-00-0-011	WZ-SZE3-2206-S10A-00-111-00-0-011
		800	WZ-SZE3-2021-S10A-00-111-00-0-011	WZ-SZE3-2205-S10A-00-111-00-0-011
	1200	400	WZ-SZE3-2020-S10A-00-111-00-0-011	WZ-SZE3-2204-S10A-00-111-00-0-011
		500	WZ-SZE3-2019-S10A-00-111-00-0-011	WZ-SZE3-2203-S10A-00-111-00-0-011
		600	WZ-SZE3-2018-S10A-00-111-00-0-011	WZ-SZE3-2202-S10A-00-111-00-0-011
		800	WZ-SZE3-2017-S10A-00-111-00-0-011	WZ-SZE3-2201-S10A-00-111-00-0-011



Cabinet 800 mm wide including mounting plate, without side panels

## TECHNICAL DATA

### Standard compliance

Cabinets are made in accordance with EN 62208 standard  
Protection degree enclosures: **IP 55** compliant with EN 60529

### Material and surface finishing

Cabinet's frame - galvanized steel sheet

Doors, panels, plinth - steel sheet powder painted in RAL 7035 (epoxide-polyester paint of coarse-grained structure, applied for internal conditions). On customer's request, it is possible to use special paint with increased resistance to adverse weather conditions and using polyzinc base.

Mounting plate, swing frame - galvanized steel sheet and profiles

Mounting bars - aluzinc steel sheet

SZE3 cabinets and accessories can be made of stainless steel.

## SCOPE OF DELIVERY

Cabinet in basic configuration includes: cabinet's frame, front door with a lock that incl. double-bit insert (no handle), rear panel, mounting plate for the full height of the cabinet, top panel, set of sliding gland plates for cabinet's bottom plate. Side panels, plinth, lifting eyes, swing frame and other supplementary accessories should be ordered separately.

## CABINET DESIGN

### Screwed framework of the cabinet

Closed-profile bolted design for high rigidity. Shape of the profiles ensures full symmetry of the cabinet frame, allowing doors and panels to be installed on either side plane. Each profile has a perforation with pitch of 25 mm on two planes, which makes the interior highly configurable. The material used gives increased corrosion resistance and simple galvanic connection of unpainted parts that are attached directly to the frame. In this way there is a possibility to avoid any additional ground connections.

The perforation is designed for M6 self-tapping screws and special M8 cage nuts.

The perforation modular arrangement in the cabinet frame is compliant with the EN 60917 standard.

### Door

Door is made of steel sheet powder coated in RAL 7035. The door can be mounted to the frame at any plane, on four hinges with an opening angle of 150°. With its symmetric design, the door can be mounted for either left or right handing. The door comes with 25 mm perforated stiffening frame as standard. The door has a four-point rod lock as standard. Cabinets with widths of 1000 mm and 1200 mm have a double door; cabinets with widths of 800 and 600 mm have a single leaf door. On request, we can deliver glazed and/or ventilated door, see pages 188-189.

### Rear panel and side panels

Simple and quick installation with screws. Due to the frame symmetry, for cabinets of the same width and depth they may be used interchangeably. Rear and side panels are made of steel sheet powder-coated in standard RAL 7035. They have M8 earthing bolts as standard.

### Top panel

Steel panel, powder painted in RAL 7035, with a sealing gasket. Serves as the top plate. Comes as a solid version and a version with a 380x380 or 380x210 mm opening (for blanking plate or fan unit).

### Bottom plate

Perforated plate with 3 sliding blanking plates (the same as in SZE2 cabinet). The blanking plates are fixed with special cut-in screws that ensure continuity of equipotential bonding (earthing). Bottom plate and the blanking plates can be removed to achieve a cable grommet virtually as large as the cabinet base.

### Mounting plate

The cabinet is fitted with a galvanized mounting plate with a thickness of 3 mm as standard. It can be mounted at any depth of the cabinet. What's important, the mounting plate can be installed as far as the cabinet's back between the rear posts of the frame, all the mounting space in the cabinet can be used completely.

The mounting plate is fitted with guides for easy installation in the cabinet, as standard.

### Earthing

All the necessary elements have M8 bolts for earthing them to anywhere in the cabinet frame.

### Compatible with third-party installation systems

The SZE3 cabinet framework allows the use of the **Lütze LSC** Wiring System.



See the video:  
[zpas.pl/qr/f12](https://zpas.pl/qr/f12)

# SZE3 SYSTEM CABINETS



SZE3 cabinet 800 mm wide, without side panels, intended for baying in rows

## REFERENCE CHART - cabinets with a width of 600 mm

Dimensions of cabinet's frame [mm]	Height H	2000	2000	2000
	Width W	600	600	600
	Depth D	400	500	600
Dimensions of mounting plate [mm]	Height HP	1921	1921	1921
	Width WP	496	496	496

		Package	Catalogue numbers		
<b>SZE3 cabinet*</b>		1 pc.	WZ-SZE3-2032-S10A-00-111-00-0-011	WZ-SZE3-2031-S10A-00-111-00-0-011	WZ-SZE3-2030-S10A-00-111-00-0-011
Supplementary accessories**	Side panels	2 pcs	WZ-6282-18-08-011	WZ-6282-18-07-011	WZ-6282-18-06-011
	Mounting plates infill	1 pc.	WZ-6282-24-02-000	WZ-6282-24-02-000	WZ-6282-24-02-000
	19" symmetrical swing frame	1 pc.	—	—	—
	Earthing bar	1 pc.	WZ-6282-78-04-000	WZ-6282-78-04-000	WZ-6282-78-04-000
	Shielding bar	1 pc.	WZ-6282-79-04-000	WZ-6282-79-04-000	WZ-6282-79-04-000

## REFERENCE CHART - cabinets with a width of 800 mm

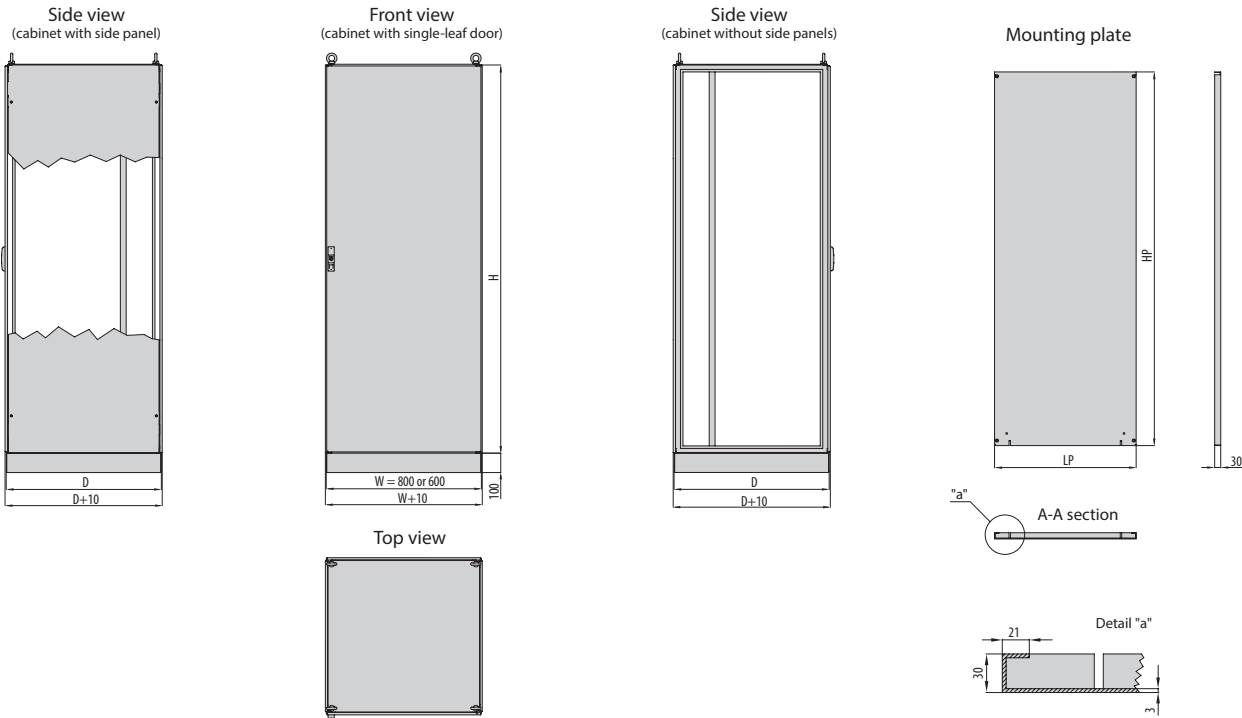
Dimensions of cabinet's frame [mm]	Height H	2000	2000	2000
	Width W	800	800	800
	Depth D	400	500	600
Dimensions of mounting plate [mm]	Height HP	1921	1921	1921
	Width WP	696	696	696

		Package	Catalogue numbers		
<b>SZE3 cabinet*</b>		1 pc.	WZ-SZE3-2028-S10A-00-111-00-0-011	WZ-SZE3-2027-S10A-00-111-00-0-011	WZ-SZE3-2026-S10A-00-111-00-0-011
Supplementary accessories**	Side panels	2 pcs	WZ-6282-18-08-011	WZ-6282-18-07-011	WZ-6282-18-06-011
	Mounting plates infill	1 pc.	WZ-6282-24-02-000	WZ-6282-24-02-000	WZ-6282-24-02-000
	19" symmetrical swing frame	1 pc.	WZ-6282-63-02-C08	WZ-6282-63-02-C08	WZ-6282-63-02-C08
	Earthing bar	1 pc.	WZ-6282-78-03-000	WZ-6282-78-03-000	WZ-6282-78-03-000
	Shielding bar	1 pc.	WZ-6282-79-03-000	WZ-6282-79-03-000	WZ-6282-79-03-000

\*) SZE2 cabinet - scope of delivery: cabinet's frame, front door with a lock that incl. double-bit insert (no handle), rear panel, mounting plate for the full height of the cabinet, solid top panel, set of sliding gland plates for cabinet's bottom plate. Side panels, plinth, lifting eyes and other supplementary accessories should be ordered separately.

\*\*) Detailed list of supplementary accessories: pages 187-215

SYSTEM CABINETS **SZE3**



2000	2200	2200	2200	2200
600	600	600	600	600
800	400	500	600	800
1921	2121	2121	2121	2121
496	496	496	496	496

Catalogue numbers				
WZ-SZE3-2029-S10A-00-111-00-0-011	WZ-SZE3-2216-S10A-00-111-00-0-011	WZ-SZE3-2215-S10A-00-111-00-0-011	WZ-SZE3-2214-S10A-00-111-00-0-011	WZ-SZE3-2213-S10A-00-111-00-0-011
WZ-6282-18-05-011	WZ-6282-18-04-011	WZ-6282-18-03-011	WZ-6282-18-02-011	WZ-6282-18-01-011
WZ-6282-24-02-000	WZ-6282-24-01-000	WZ-6282-24-01-000	WZ-6282-24-01-000	WZ-6282-24-01-000
-	-	-	-	-
WZ-6282-78-04-000	WZ-6282-78-04-000	WZ-6282-78-04-000	WZ-6282-78-04-000	WZ-6282-78-04-000
WZ-6282-79-04-000	WZ-6282-79-04-000	WZ-6282-79-04-000	WZ-6282-79-04-000	WZ-6282-79-04-000

2000	2200	2200	2200	2200
800	800	800	800	800
800	400	500	600	800
1921	2121	2121	2121	2121
696	696	696	696	696

Catalogue numbers				
WZ-SZE3-2025-S10A-00-111-00-0-011	WZ-SZE3-2012-S10A-00-111-00-0-011	WZ-SZE3-2011-S10A-00-111-00-0-011	WZ-SZE3-2010-S10A-00-111-00-0-011	WZ-SZE3-2009-S10A-00-111-00-0-011
WZ-6282-18-05-011	WZ-6282-18-04-011	WZ-6282-18-03-011	WZ-6282-18-02-011	WZ-6282-18-01-011
WZ-6282-24-02-000	WZ-6282-24-01-000	WZ-6282-24-01-000	WZ-6282-24-01-000	WZ-6282-24-01-000
WZ-6282-63-02-C08	WZ-6282-63-01-C08	WZ-6282-63-01-C08	WZ-6282-63-01-C08	WZ-6282-63-01-C08
WZ-6282-78-03-000	WZ-6282-78-03-000	WZ-6282-78-03-000	WZ-6282-78-03-000	WZ-6282-78-03-000
WZ-6282-79-03-000	WZ-6282-79-03-000	WZ-6282-79-03-000	WZ-6282-79-03-000	WZ-6282-79-03-000

# SZE3 SYSTEM CABINETS



SZE3 cabinet 1200 mm wide, without side panels, intended for baying in rows

## REFERENCE CHART - cabinets with a width of 1000 mm

Dimensions of cabinet's frame [mm]	Height H	2000	2000	2000
	Width W	1000	1000	1000
	Depth D	400	500	600
Dimensions of mounting plate [mm]	Height HP	1921	1921	1921
	Width WP	896	896	896

		Package	Catalogue numbers		
<b>SZE3 cabinet*</b>		1 pc.	WZ-SZE3-2024-S10A-00-111-00-0-011	WZ-SZE3-2023-S10A-00-111-00-0-011	WZ-SZE3-2022-S10A-00-111-00-0-011
Supplementary accessories**	Side panels	2 pcs	WZ-6282-18-08-011	WZ-6282-18-07-011	WZ-6282-18-06-011
	Mounting plates infill	1 pc.	WZ-6282-24-02-000	WZ-6282-24-02-000	WZ-6282-24-02-000
	19" symmetrical swing frame	1 pc.	-	-	-
	Earthing bar	1 pc.	WZ-6282-78-02-000	WZ-6282-78-02-000	WZ-6282-78-02-000
	Shielding bar	1 pc.	WZ-6282-79-02-000	WZ-6282-79-02-000	WZ-6282-79-02-000

## REFERENCE CHART - cabinets with a width of 1200 mm

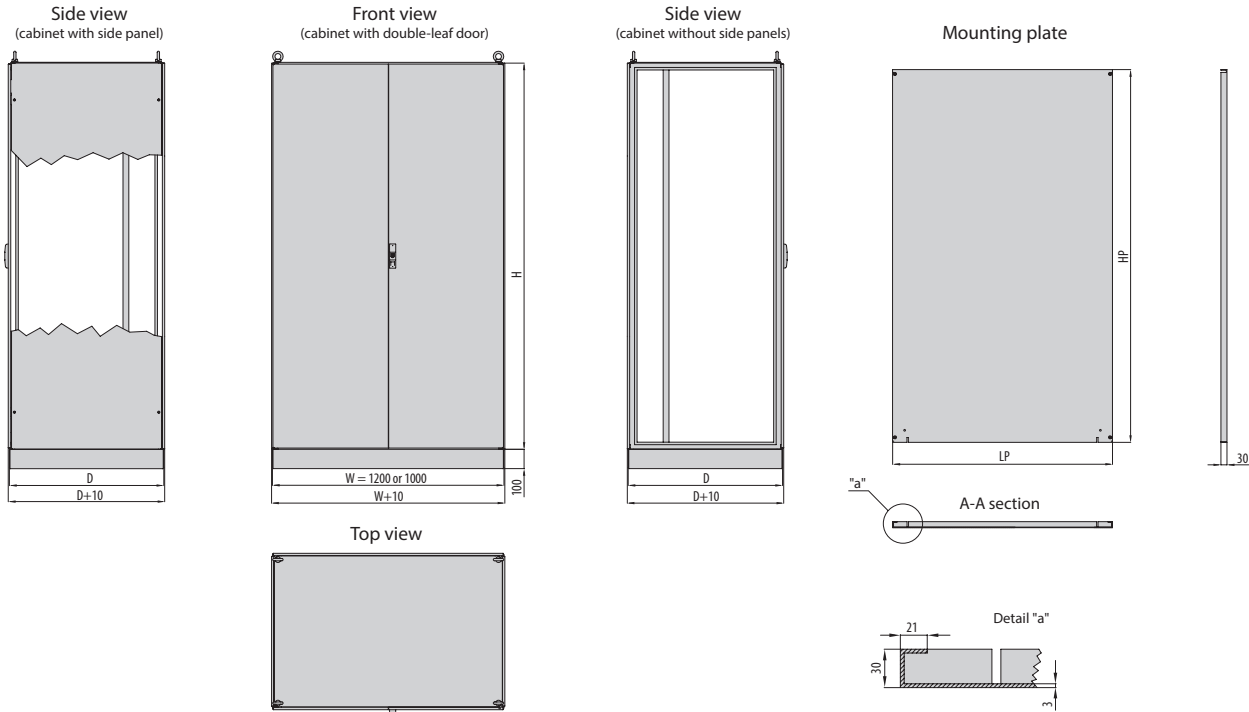
Dimensions of cabinet's frame [mm]	Height H	2000	2000	2000
	Width W	1200	1200	1200
	Depth D	400	500	600
Dimensions of mounting plate [mm]	Height HP	1921	1921	1921
	Width WP	1096	1096	1096

		Package	Catalogue numbers		
<b>SZE3 cabinet*</b>		1 pc.	WZ-SZE3-2020-S10A-00-111-00-0-011	WZ-SZE3-2019-S10A-00-111-00-0-011	WZ-SZE3-2018-S10A-00-111-00-0-011
Supplementary accessories**	Side panels	2 pcs	WZ-6282-18-08-011	WZ-6282-18-07-011	WZ-6282-18-06-011
	Mounting plates infill	1 pc.	WZ-6282-24-02-000	WZ-6282-24-02-000	WZ-6282-24-02-000
	19" symmetrical swing frame	1 pc.	-	-	-
	Earthing bar	1 pc.	WZ-6282-78-01-000	WZ-6282-78-01-000	WZ-6282-78-01-000
	Shielding bar	1 pc.	WZ-6282-79-01-000	WZ-6282-79-01-000	WZ-6282-79-01-000

\*) SZE2 cabinet - scope of delivery: cabinet's frame, front door with a lock that incl. double-bit insert (no handle), rear panel, mounting plate for the full height of the cabinet, solid top panel, set of sliding gland plates for cabinet's bottom plate. Side panels, plinth, lifting eyes and other supplementary accessories should be ordered separately.

\*\*) Detailed list of supplementary accessories: pages 187-215

SYSTEM CABINETS **SZE3**



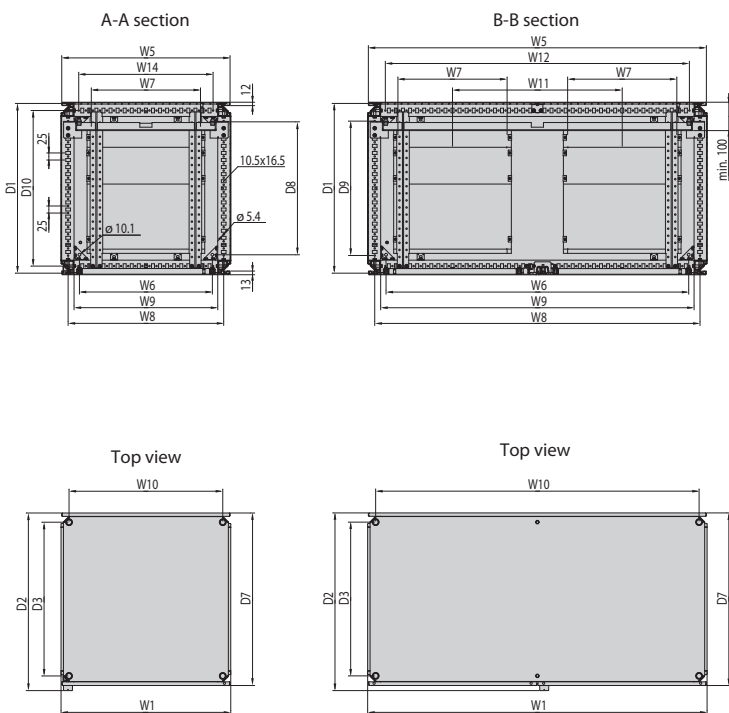
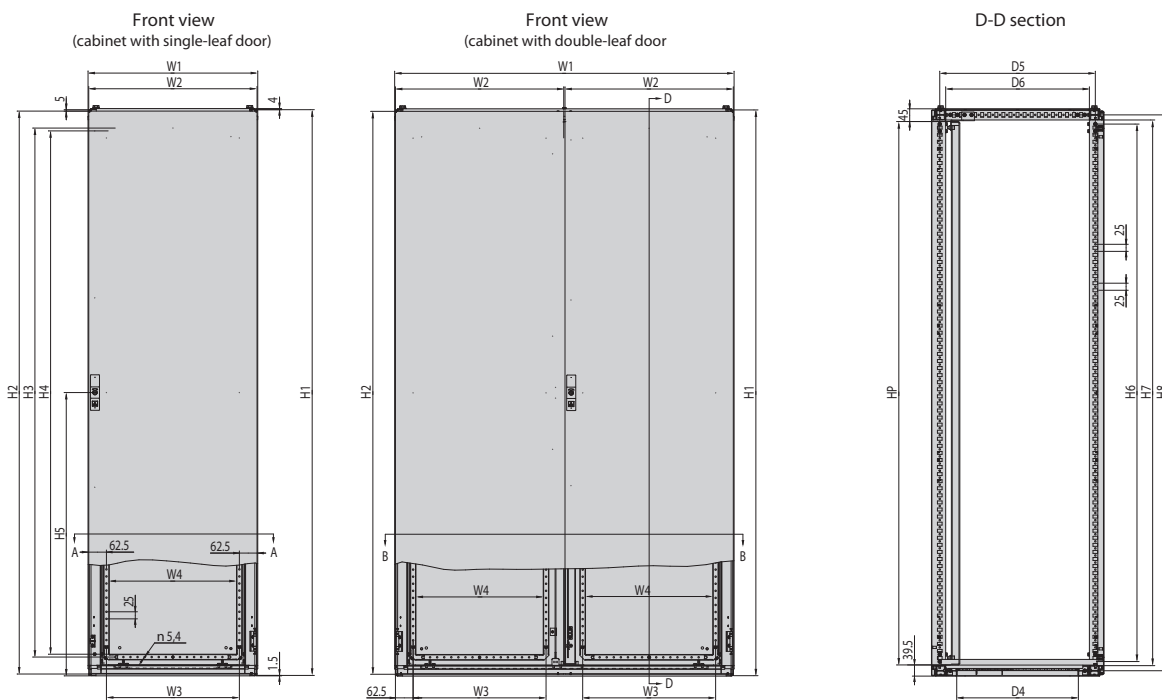
2000	2200	2200	2200	2200
1000	1000	1000	1000	1000
800	400	500	600	800
1921	2121	2121	2121	2121
896	896	896	896	896

Catalogue numbers				
WZ-SZE3-2021-S10A-00-111-00-0-011	WZ-SZE3-2208-S10A-00-111-00-0-011	WZ-SZE3-2207-S10A-00-111-00-0-011	WZ-SZE3-2206-S10A-00-111-00-0-011	WZ-SZE3-2205-S10A-00-111-00-0-011
WZ-6282-18-05-011	WZ-6282-18-04-011	WZ-6282-18-03-011	WZ-6282-18-02-011	WZ-6282-18-01-011
WZ-6282-24-02-000	WZ-6282-24-01-000	WZ-6282-24-01-000	WZ-6282-24-01-000	WZ-6282-24-01-000
-	-	-	-	-
WZ-6282-78-02-000	WZ-6282-78-02-000	WZ-6282-78-02-000	WZ-6282-78-02-000	WZ-6282-78-02-000
WZ-6282-79-02-000	WZ-6282-79-02-000	WZ-6282-79-02-000	WZ-6282-79-02-000	WZ-6282-79-02-000

2000	2200	2200	2200	2200
1200	1200	1200	1200	1200
800	400	500	600	800
1921	2121	2121	2121	2121
1096	1096	1096	1096	1096

Catalogue numbers				
WZ-SZE3-2017-S10A-00-111-00-0-011	WZ-SZE3-2204-S10A-00-111-00-0-011	WZ-SZE3-2203-S10A-00-111-00-0-011	WZ-SZE3-2202-S10A-00-111-00-0-011	WZ-SZE3-2201-S10A-00-111-00-0-011
WZ-6282-18-05-011	WZ-6282-18-04-011	WZ-6282-18-03-011	WZ-6282-18-02-011	WZ-6282-18-01-011
WZ-6282-24-02-000	WZ-6282-24-01-000	WZ-6282-24-01-000	WZ-6282-24-01-000	WZ-6282-24-01-000
-	-	-	-	-
WZ-6282-78-01-000	WZ-6282-78-01-000	WZ-6282-78-01-000	WZ-6282-78-01-000	WZ-6282-78-01-000
WZ-6282-79-01-000	WZ-6282-79-01-000	WZ-6282-79-01-000	WZ-6282-79-01-000	WZ-6282-79-01-000

# SZE3 SYSTEM CABINETS

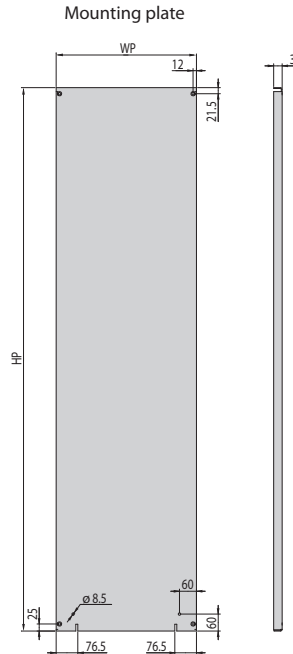
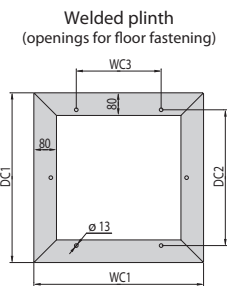
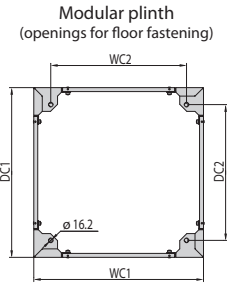


Cabinet's catalogue number	HEIGHT DIMENSIONS							
	H1	H2	H3	H4	H5	H6	H7	H8
WZ-SZE3-2201-S10A-00-111-00-0-011	2200	2190	2070	2050	1101,5	2100	2129	2165
WZ-SZE3-2202-S10A-00-111-00-0-011	2200	2190	2070	2050	1101,5	2100	2129	2165
WZ-SZE3-2203-S10A-00-111-00-0-011	2200	2190	2070	2050	1101,5	2100	2129	2165
WZ-SZE3-2204-S10A-00-111-00-0-011	2200	2190	2070	2050	1101,5	2100	2129	2165
WZ-SZE3-2205-S10A-00-111-00-0-011	2200	2190	2070	2050	1101,5	2100	2129	2165
WZ-SZE3-2206-S10A-00-111-00-0-011	2200	2190	2070	2050	1101,5	2100	2129	2165
WZ-SZE3-2207-S10A-00-111-00-0-011	2200	2190	2070	2050	1101,5	2100	2129	2165
WZ-SZE3-2208-S10A-00-111-00-0-011	2200	2190	2070	2050	1101,5	2100	2129	2165
WZ-SZE3-2209-S10A-00-111-00-0-011	2200	2190	2070	2050	1101,5	2100	2129	2165
WZ-SZE3-2210-S10A-00-111-00-0-011	2200	2190	2070	2050	1101,5	2100	2129	2165
WZ-SZE3-2211-S10A-00-111-00-0-011	2200	2190	2070	2050	1101,5	2100	2129	2165
WZ-SZE3-2212-S10A-00-111-00-0-011	2200	2190	2070	2050	1101,5	2100	2129	2165
WZ-SZE3-2213-S10A-00-111-00-0-011	2200	2190	2070	2050	1101,5	2100	2129	2165
WZ-SZE3-2214-S10A-00-111-00-0-011	2200	2190	2070	2050	1101,5	2100	2129	2165
WZ-SZE3-2215-S10A-00-111-00-0-011	2200	2190	2070	2050	1101,5	2100	2129	2165
WZ-SZE3-2216-S10A-00-111-00-0-011	2200	2190	2070	2050	1101,5	2100	2129	2165
WZ-SZE3-2017-S10A-00-111-00-0-011	2000	1990	1870	1850	1001,5	1900	1929	1965
WZ-SZE3-2018-S10A-00-111-00-0-011	2000	1990	1870	1850	1001,5	1900	1929	1965
WZ-SZE3-2019-S10A-00-111-00-0-011	2000	1990	1870	1850	1001,5	1900	1929	1965
WZ-SZE3-2020-S10A-00-111-00-0-011	2000	1990	1870	1850	1001,5	1900	1929	1965
WZ-SZE3-2021-S10A-00-111-00-0-011	2000	1990	1870	1850	1001,5	1900	1929	1965
WZ-SZE3-2022-S10A-00-111-00-0-011	2000	1990	1870	1850	1001,5	1900	1929	1965
WZ-SZE3-2023-S10A-00-111-00-0-011	2000	1990	1870	1850	1001,5	1900	1929	1965
WZ-SZE3-2024-S10A-00-111-00-0-011	2000	1990	1870	1850	1001,5	1900	1929	1965
WZ-SZE3-2025-S10A-00-111-00-0-011	2000	1990	1870	1850	1001,5	1900	1929	1965
WZ-SZE3-2026-S10A-00-111-00-0-011	2000	1990	1870	1850	1001,5	1900	1929	1965
WZ-SZE3-2027-S10A-00-111-00-0-011	2000	1990	1870	1850	1001,5	1900	1929	1965
WZ-SZE3-2028-S10A-00-111-00-0-011	2000	1990	1870	1850	1001,5	1900	1929	1965
WZ-SZE3-2029-S10A-00-111-00-0-011	2000	1990	1870	1850	1001,5	1900	1929	1965
WZ-SZE3-2030-S10A-00-111-00-0-011	2000	1990	1870	1850	1001,5	1900	1929	1965
WZ-SZE3-2031-S10A-00-111-00-0-011	2000	1990	1870	1850	1001,5	1900	1929	1965
WZ-SZE3-2032-S10A-00-111-00-0-011	2000	1990	1870	1850	1001,5	1900	1929	1965



SYSTEM CABINETS

**SZE3**



**Note:**  
After mounting of side panels the cabinet expands by 5 mm on each side.  
An additional distance of 3 mm (gasket gauge) should be considered between bayed cabinets.

WIDTH DIMENSIONS												DEPTH DIMENSIONS										MOUNTING PLATE		PLINTH				
W1	W2	W3	W4	W5	W6	W7	W8	W9	W10	W11	W12	D1	D2	D3	D4	D5	D6	D7	D8	D9	D10	HP	WP	WC1	WC2	WC3	DC1	DC2
1200	595	470	450	1195	1070	386	1150	1108	1143,5	600	1075	800	828	743,5	630	750	708	810	670	675	750	2121	1096	1200	1080	900	800	680
1200	595	470	450	1195	1070	386	1150	1108	1143,5	600	1075	600	628	543,5	430	550	508	610	470	475	550	2121	1096	1200	1080	900	600	480
1200	595	470	450	1195	1070	386	1150	1108	1143,5	600	1075	500	528	443,5	330	450	408	510	370	375	450	2121	1096	1200	1080	900	500	380
1200	595	470	450	1195	1070	386	1150	1108	1143,5	600	1075	400	428	343,5	230	350	308	410	270	275	350	2121	1096	1200	1080	900	400	280
1000	495	370	350	995	870	356	950	908	943,5	430	875	800	828	743,5	630	750	708	810	670	675	750	2121	896	1000	880	700	800	680
1000	495	370	350	995	870	356	950	908	943,5	430	875	600	628	543,5	430	550	508	610	470	475	550	2121	896	1000	880	700	600	480
1000	495	370	350	995	870	356	950	908	943,5	430	875	500	528	443,5	330	450	408	510	370	375	450	2121	896	1000	880	700	500	380
1000	495	370	350	995	870	356	950	908	943,5	430	875	400	428	343,5	230	350	308	410	270	275	350	2121	896	1000	880	700	400	280
800	795	670	650	795	670	586	750	708	743,5	---	675	800	828	743,5	630	750	708	810	670	675	750	2121	696	800	680	500	800	680
800	795	670	650	795	670	586	750	708	743,5	---	675	600	628	543,5	430	550	508	610	470	475	550	2121	696	800	680	500	600	480
800	795	670	650	795	670	586	750	708	743,5	---	675	500	528	443,5	330	450	408	510	370	375	450	2121	696	800	680	500	500	380
800	795	670	650	795	670	586	750	708	743,5	---	675	400	428	343,5	230	350	308	410	270	275	350	2121	696	800	680	500	400	280
600	595	470	450	595	470	386	550	508	543,5	---	475	800	828	743,5	630	750	708	810	670	675	750	2121	496	600	480	300	800	680
600	595	470	450	595	470	386	550	508	543,5	---	475	600	628	543,5	430	550	508	610	470	475	550	2121	496	600	480	300	600	480
600	595	470	450	595	470	386	550	508	543,5	---	475	500	528	443,5	330	450	408	510	370	375	450	2121	496	600	480	300	500	380
600	595	470	450	595	470	386	550	508	543,5	---	475	400	428	343,5	230	350	308	410	270	275	350	2121	496	600	480	300	400	280
1200	595	470	450	1195	1070	386	1150	1108	1143,5	600	1075	800	828	743,5	630	750	708	810	670	675	750	1921	1096	1200	1080	900	800	680
1200	595	470	450	1195	1070	386	1150	1108	1143,5	600	1075	600	628	543,5	430	550	508	610	470	475	550	1921	1096	1200	1080	900	600	480
1200	595	470	450	1195	1070	386	1150	1108	1143,5	600	1075	500	528	443,5	330	450	408	510	370	375	450	1921	1096	1200	1080	900	500	380
1200	595	470	450	1195	1070	386	1150	1108	1143,5	600	1075	400	428	343,5	230	350	308	410	270	275	350	1921	1096	1200	1080	900	400	280
1000	495	370	350	995	870	356	950	908	943,5	430	875	800	828	743,5	630	750	708	810	670	675	750	1921	896	1000	880	700	800	680
1000	495	370	350	995	870	356	950	908	943,5	430	875	600	628	543,5	430	550	508	610	470	475	550	1921	896	1000	880	700	600	480
1000	495	370	350	995	870	356	950	908	943,5	430	875	500	528	443,5	330	450	408	510	370	375	450	1921	896	1000	880	700	500	380
1000	495	370	350	995	870	356	950	908	943,5	430	875	400	428	343,5	230	350	308	410	270	275	350	1921	896	1000	880	700	400	280
800	795	670	650	795	670	586	750	708	743,5	---	675	800	828	743,5	630	750	708	810	670	675	750	1921	696	800	680	500	800	680
800	795	670	650	795	670	586	750	708	743,5	---	675	600	628	543,5	430	550	508	610	470	475	550	1921	696	800	680	500	600	480
800	795	670	650	795	670	586	750	708	743,5	---	675	500	528	443,5	330	450	408	510	370	375	450	1921	696	800	680	500	500	380
800	795	670	650	795	670	586	750	708	743,5	---	675	400	428	343,5	230	350	308	410	270	275	350	1921	696	800	680	500	400	280
600	595	470	450	595	470	386	550	508	543,5	---	475	800	828	743,5	630	750	708	810	670	675	750	1921	496	600	480	300	800	680
600	595	470	450	595	470	386	550	508	543,5	---	475	600	628	543,5	430	550	508	610	470	475	550	1921	496	600	480	300	600	480
600	595	470	450	595	470	386	550	508	543,5	---	475	500	528	443,5	330	450	408	510	370	375	450	1921	496	600	480	300	500	380
600	595	470	450	595	470	386	550	508	543,5	---	475	400	428	343,5	230	350	308	410	270	275	350	1921	496	600	480	300	400	280

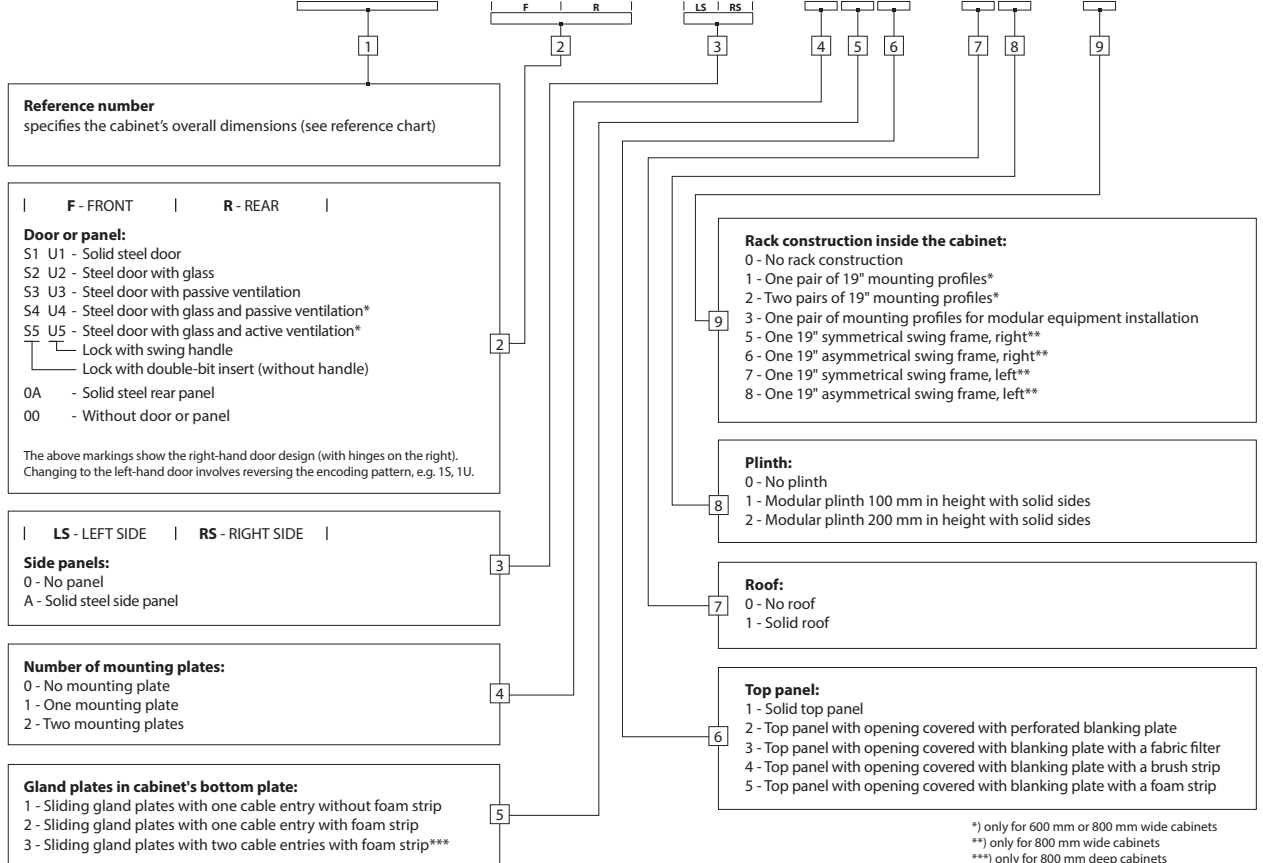
# SZE3 SYSTEM CABINETS

## REFERENCE CHART

	Total width of the cabinet [mm]	Total depth of the cabinet [mm]	Height of the cabinet without plinth [mm]	
			2000	2200
			Reference numbers of cabinets	
Cabinets with single-leaf door	600	400	2032	2216
		500	2031	2215
		600	2030	2214
		800	2029	2213
	800	400	2028	2212
		500	2027	2211
		600	2026	2210
		800	2025	2209
Cabinets with double-leaf door	1000	400	2024	2208
		500	2023	2207
		600	2022	2206
		800	2021	2205
	1200	400	2020	2204
		500	2019	2203
		600	2018	2202
		800	2017	2201

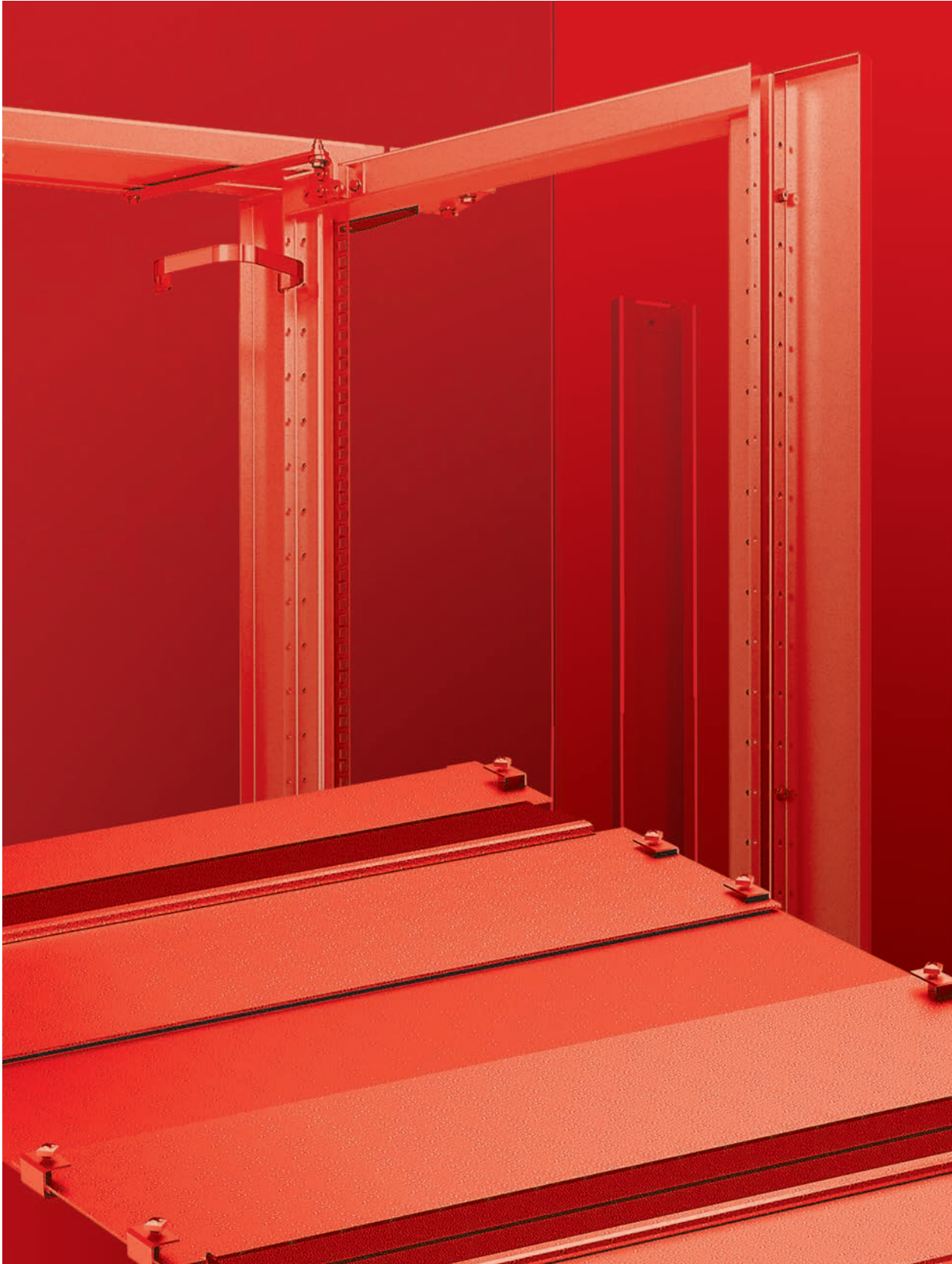
## CATALOGUE NUMBER OF CONFIGURED SZE3 CABINET

**WZ-SZE3 - XXXX - XXXX - XX - XXX - XX - X - 011**



## ACCESSORIES FOR SIZE3 CABINETS

info@fracksystems.se  
+46 854063722



ACCESSORIES FOR SIZE3 CABINETS

ACCESSORIES FOR SZE3 CABINETS

DOORS



**Doors**

SZE3 cabinets have solid metal door as standard. If required, the door can be glazed and/or ventilated. The door can be mounted not only on the cabinet's front and back but also on its sides. Tightness is ensured by a seal cast of foamed polyurethane.

The door has M8 earthing bolts. A standard cabinet has a four-point lock with doppelbart insert and no handle. The lock is located outside the sealed zone, so it does not compromise protection degree IP.

Maximum door opening angle: 150°

At the customer's request we can introduce various kinds of modifications, such as cutting out holes for touch panels, adding external hinges to increase the door opening angle, etc.

**Material:**

- sheet steel powder paint, light grey (RAL 7035),
- galvanized steel stiffening profiles, perforated for installing cable trays, for example,
- brown smoked safety glass,
- door ventilated through plastic ventilation grilles protection degree IP 54.

**Scope of delivery**

Complete wing of door with hinges and lock that includes doublebit insert (no handle).

**SINGLE-LEAF DOOR**

For cabinet		Door dimensions		Catalogue number					
height [mm]	width [mm]	H [mm]	W [mm]	Solid door IP 55	Door with glass IP 55	Door with passive ventilation IP 54		Door with glass and passive ventilation IP 54	
				right/left	right/left	right	left	right	left
2200	800	2190	795	WZ-6282-30-01-011	WZ-6282-68-01-011	WZ-6282-74-01-011	WZ-6282-74-07-011	WZ-6282-76-01-011	WZ-6282-76-07-011
	600	2190	595	WZ-6282-30-02-011	WZ-6282-68-02-011	WZ-6282-74-02-011	WZ-6282-74-08-011	WZ-6282-76-02-011	WZ-6282-76-08-011
2000	800	1990	795	WZ-6282-30-03-011	WZ-6282-68-03-011	WZ-6282-74-03-011	WZ-6282-74-09-011	WZ-6282-76-03-011	WZ-6282-76-09-011
	600	1990	595	WZ-6282-30-04-011	WZ-6282-68-04-011	WZ-6282-74-04-011	WZ-6282-74-10-011	WZ-6282-76-04-011	WZ-6282-76-10-011

Package: 1 pc.



ACCESSORIES FOR SIZE3 CABINETS

DOORS

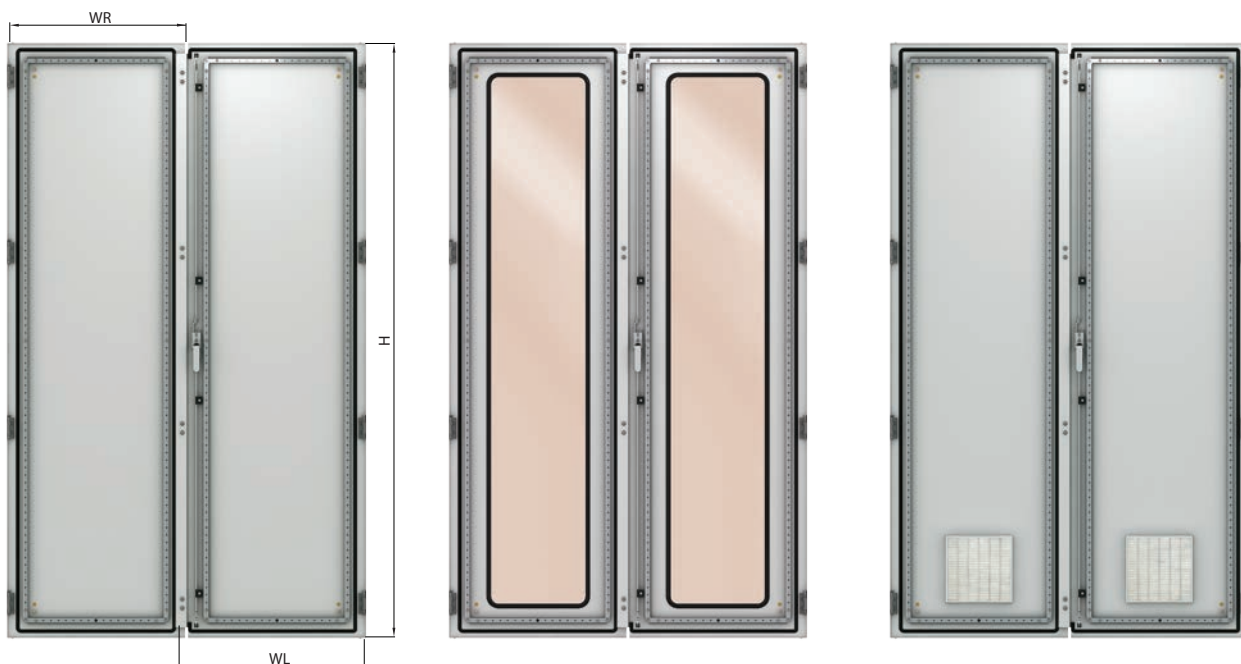
DOUBLE-LEAF DOOR



For cabinet		Door dimensions			Catalogue number					
height [mm]	width [mm]	H [mm]	WR [mm]	WL [mm]	Solid door IP 55		Door with glass IP 55		Door with passive ventilation IP 54	
					right* wing	left* wing	right* wing	left* wing	right* wing	left* wing
2200	1200	2190	595	638	WZ-6282-45-01-011	WZ-6282-47-01-011	WZ-6282-81-01-011	WZ-6282-83-01-011	WZ-6282-85-01-011	WZ-6282-87-01-011
	1000	2190	495	538	WZ-6282-45-02-011	WZ-6282-47-02-011	WZ-6282-81-02-011	WZ-6282-83-02-011	WZ-6282-85-02-011	WZ-6282-87-02-011
2000	1200	1990	595	638	WZ-6282-45-03-011	WZ-6282-47-03-011	WZ-6282-81-03-011	WZ-6282-83-03-011	WZ-6282-85-03-011	WZ-6282-87-03-011
	1000	1990	495	538	WZ-6282-45-04-011	WZ-6282-47-04-011	WZ-6282-81-04-011	WZ-6282-83-04-011	WZ-6282-85-04-011	WZ-6282-87-04-011

Package: 1 pc. (wing)

\*) when facing the structure



## ACCESSORIES FOR SZE3 CABINETS

SIDE PANELS • LIFTING ACCESSORIES

**Side panels**

Panels are bolted to the frame with intermediate elements that position the panel in the frame.

All panels are fitted with seals cast of polyurethane foam, and M8 stud bolts for mounting earthing wires.

If requested, the side panels can have holes for air vents, fans, heat exchangers and air conditioners.

**Material**

Sheet steel powder painted in light grey (RAL 7035)

**Scope of delivery**

Set of 2 side panels with fixing accessories for mounting into the cabinet.

For cabinet		Catalogue number
height [mm]	depth [mm]	
2200	800	WZ-6282-18-01-011
	600	WZ-6282-18-02-011
	500	WZ-6282-18-03-011
	400	WZ-6282-18-04-011
2000	800	WZ-6282-18-05-011
	600	WZ-6282-18-06-011
	500	WZ-6282-18-07-011
	400	WZ-6282-18-08-011

Package: 2 pc.



Eyebolt



Lifting angle

**Lifting accessories**

Fixed to threaded holes in the top corners of the cabinet's frame.

**Offered in two options:**

- 1) eyebolts - galvanised steel, eye diameter: 30 mm, thread for fastening: M12;
- 2) lifting angle for cabinets bayed in rows - galvanised steel angle, lifting hole diameter: 38 mm, two holes for mounting screws M12.

**Scope of delivery**

Lifting accessories are sold separately.

Lifting angle is supplied with mounting screws.

Product name	Package	Catalogue number
eyebolt	1 pc.	M1F-00-0106
lifting angle	1 pc.	WZ-6282-69-00-C12

## ACCESSORIES FOR SIZE3 CABINETS

CABINET'S BASE

**Modular plinth**

It consists of 4 corners and 4 or 8 removable side panels. Total weight of the cabinet is carried by plinth corners. It is possible to reach the area under the cabinet by unscrewing the side panels. Plinth can be mounted to the base by optionally using 4 rubber vibro-shock absorbers.

**Ordering method**

Plinth includes the following elements: plinth corners with appropriate plinth side panels depending on the cabinet's width and depth.

**Plinth side panels**

There are three types of plinth side panels available - see the pictures. Each type has the standard height of 99 mm. Side panels can be removed even when the cabinet is loaded with equipment.

**Material**

Sheet steel, powder painted in light grey (RAL 7035).

**Scope of delivery**

Panel with fixing accessories.

**Solid side panel****Perforated side panel****Side panel with brush opening**

Side panel type	Length of side panel [mm]	Length of plinth's side [mm]	Catalogue number
Solid side panel	1000	1200	WZ-1982-03-09-011
	800	1000	WZ-1982-03-08-011
	600	800	WZ-1982-03-07-011
	400	600	WZ-1982-03-05-011
	300	500	WZ-1982-03-12-011
	200	400	WZ-1982-03-02-011
Perforated side panel	1000	1200	WZ-1982-05-09-011
	800	1000	WZ-1982-05-08-011
	600	800	WZ-1982-05-07-011
	400	600	WZ-1982-05-05-011
	300	500	WZ-1982-05-12-011
	200	400	WZ-1982-05-02-011
Side panel with brush opening	1000	1200	WZ-1982-04-09-011
	800	1000	WZ-1982-04-08-011
	600	800	WZ-1982-04-07-011
	400	600	WZ-1982-04-05-011
	300	500	WZ-1982-04-12-011
	200	400	WZ-1982-04-02-011

Package: 1 pc.

ACCESSORIES FOR SZE3 CABINETS

CABINET'S BASE



**Plinth corners**

Available in two heights.

**Material**

sheet steel powder painted in light grey (RAL 7035).

**Scope of delivery**

Set of 4 corners with fixing accessories.

Height [mm]	Package	Catalogue number
200	4 pc.	WZ-2174-05-02-011
100	4 pc.	WZ-1982-08-02-011



Vibro-shock absorber



Plinth corner with vibro-shock absorber

**Vibro-shock absorbers**

Plinths corners can be optionally equipped with vibro-shock absorbers. Plinth with vibro-shock absorbers should be fixed into the room's floor. Four vibro-shock absorbers are needed for one plinth.

**Material**

10 mm thick rubber

**Scope of delivery**

Set of 4 pcs vibro-shock absorbers without fixing ccessories.

Package	Catalogue number
4 pcs	WZ-M1Z-00-0048-000-4



**Welded plinth**

Indicated for heavy duty cabinets. Provide to transport cabinets with forklift truck without using transport pallet.

**Material**

Sheet steel powder paint, light grey (RAL 7035)

**Scope of delivery**

Plinth with mounting accessories for fastening plinth to the cabinet.

For cabinet		Catalogue number
width [mm]	depth [mm]	Welded plinth 100 mm high
1200	800	WZ-6282-15-01-011
	600	WZ-6282-15-02-011
	500	WZ-6282-15-03-011
	400	WZ-6282-15-04-011
1000	800	WZ-6282-15-05-011
	600	WZ-6282-15-06-011
	500	WZ-6282-15-07-011
	400	WZ-6282-15-08-011

Package: 1 pc.

For cabinet		Catalogue number
width [mm]	depth [mm]	Welded plinth 100 mm high
800	800	WZ-6282-15-09-011
	600	WZ-6282-15-10-011
	500	WZ-6282-15-11-011
	400	WZ-6282-15-12-011
600	800	WZ-6282-15-13-011
	600	WZ-6282-15-14-011
	500	WZ-6282-15-15-011
	400	WZ-6282-15-16-011

Package: 1 pc.



## ACCESSORIES FOR SZE3 CABINETS

## MOUNTING PLATE

## Mounting plate

The mounting plate is designed for installing different equipment inside the SZE3 cabinet. Detailed dimensions of the mounting plates are given in the drawing on page 185.

**Material**

Galvanized steel sheet, 3 mm thickness;  
dimensional tolerances sheet steel are normal according to EN 10143.

**Scope of delivery**

Mounting plate with fixing accessories for smooth adjustment within the cabinet's depth. Mounting plate guides are sold separately. In order to fasten the mounting plate on the back of the cabinet, between the rear posts of the frame, requires two additional lower brackets, ordered separately – see page 194.

For cabinet		Catalogue number
Height [mm]	Width [mm]	
2200	1200	WZ-6282-33-01-000
	1000	WZ-6282-33-02-000
	800	WZ-6282-33-03-000
	600	WZ-6282-33-04-000
2000	1200	WZ-6282-33-05-000
	1000	WZ-6282-33-06-000
	800	WZ-6282-33-07-000
	600	WZ-6282-33-08-000

Package: 1 pc.

**Note:**

On special order, we make hinged mounting plates, using galvanized steel sheet or textolite plate.  
The mounting plate can also be powder-painted in RAL 7035 (standard colour) or any other colour on demand.



Mounting plate

## Mounting plate guides

The guides are designed for installing the mounting plate in the SZE3 cabinet. They make inserting and positioning the plate inside the cabinet easier.

**Material**

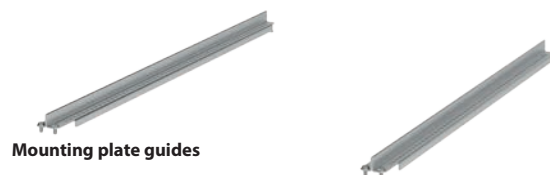
Al-Zn-coated steel sheet

**Scope of delivery**

Set of 2 guides together with accessories for fixing them on the bottom plate of the cabinet.

For cabinet depth [mm]	Catalogue number
800	WZ-6282-35-01-000
600	WZ-6282-35-02-000
500	WZ-6282-35-03-000
400	WZ-6282-35-04-000

Package: 1 set



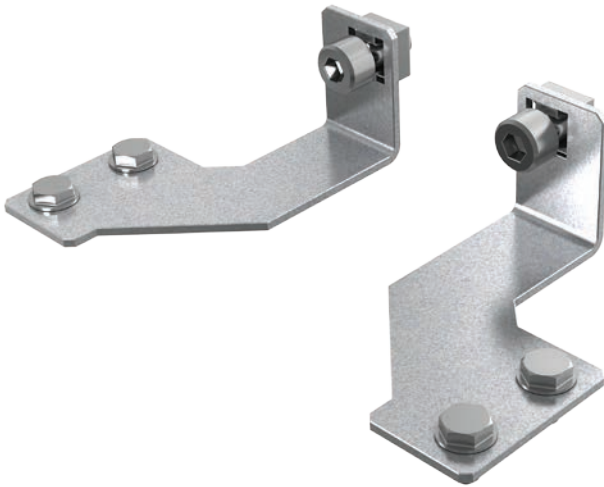
Mounting plate guides



Mounting plate mounted on guides and brackets for smooth adjustment within the cabinet's depth

## ACCESSORIES FOR SZE3 CABINETS

## MOUNTING PLATE

**Mounting plate brackets**

For fastening the mounting plate on the back of the closet, between the rear posts of the frame.

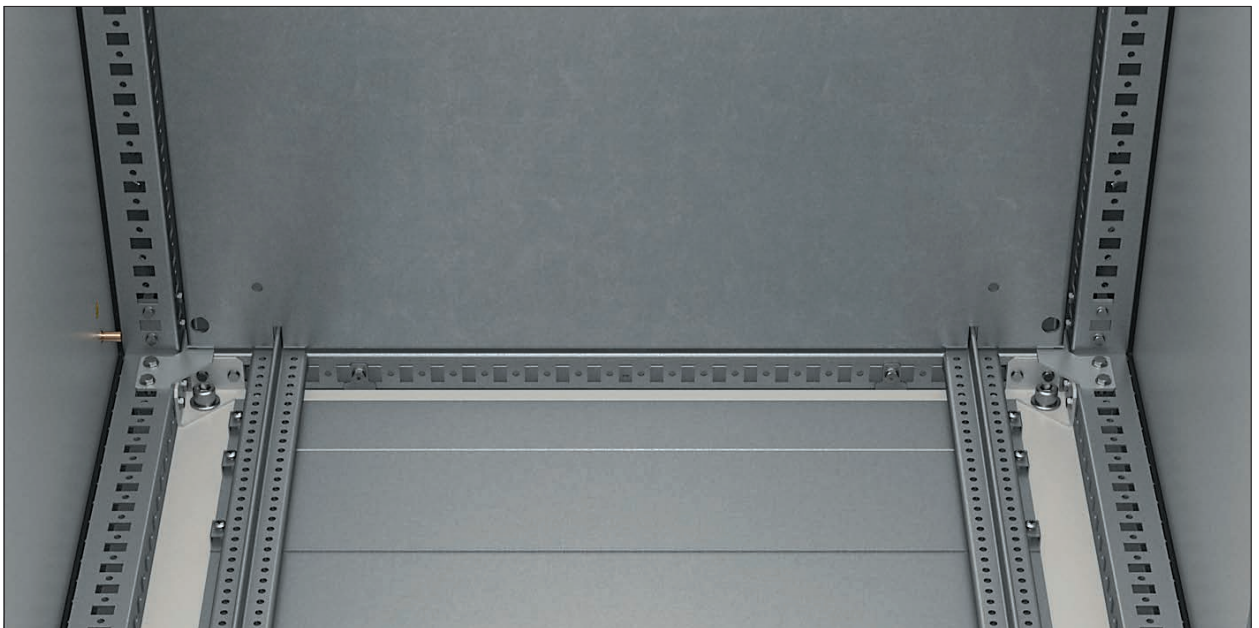
**Material**

Al-Zn-coated steel sheet

**Scope of delivery**

Two brackets (right and left) with fixing accessories.

Package	Catalogue number
1 pc.	WZ-6282-36-00-000



Mounting plate fastened on the back of the cabinet, between the frame posts

ACCESSORIES FOR SIZE3 CABINETS

19" SWING FRAME

**19" swing frame**

Intended for cabinets 800 mm wide.  
 Equipped with door-stop.  
 Two locks with double-bit insert.  
 Possibility of left- or right-side assembly by 180° rotation.  
 Maximum opening angle: 120°  
 Load capacity: 150 kg

**Material**

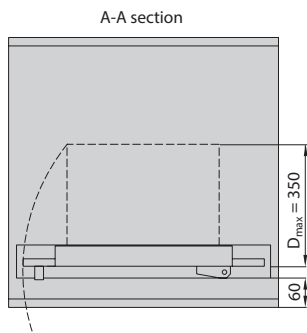
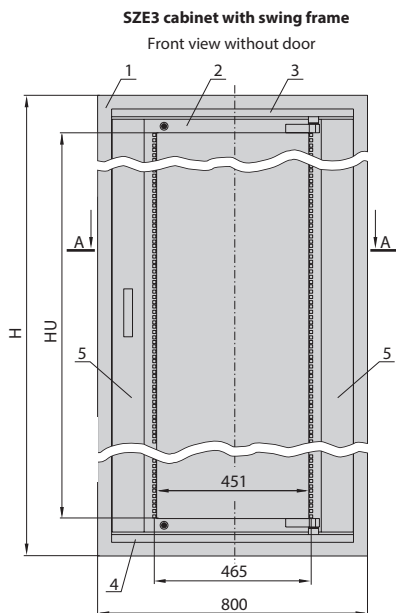
Galvanized steel sheet and profiles

**Scope of delivery**

Swing frame with fixing accessories for mounting to the cabinet.

For cabinet height H [mm]	Usable height of the frame HU [U = 44.45 mm]	Maximum depth for installations D <sub>max</sub> [mm]	Catalogue number
2200	44 U	350	WZ-6282-63-01-C08
2000	40 U	350	WZ-6282-63-02-C08

Package: 1 pc.



**DESIGN**

- 1. Cabinet frame
- 2. 19" swing frame
- 3. Top supporting bar
- 4. Bottom supporting bar
- 5. Masking panel



ACCESSORIES FOR SZE3 CABINETS

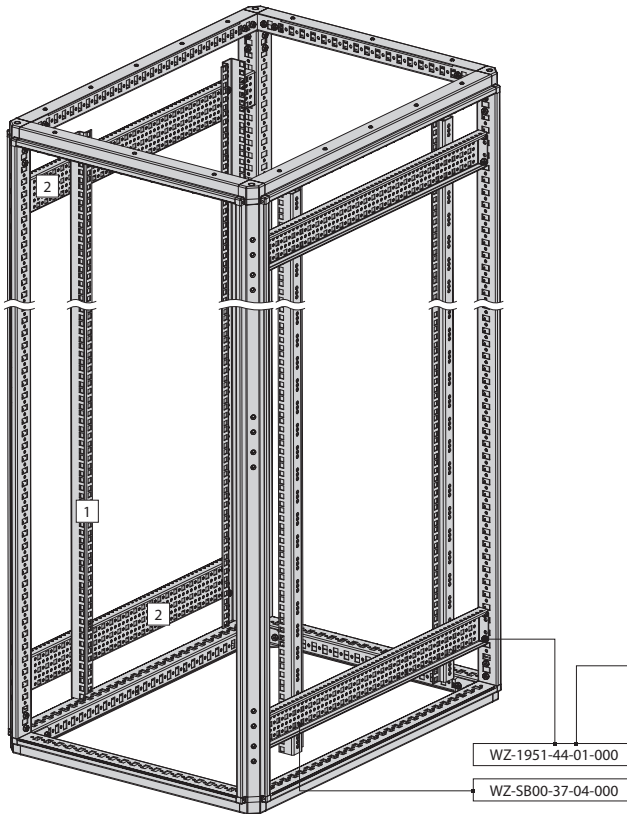
19" MOUNTING PROFILES SYSTEM



19" rack construction methods

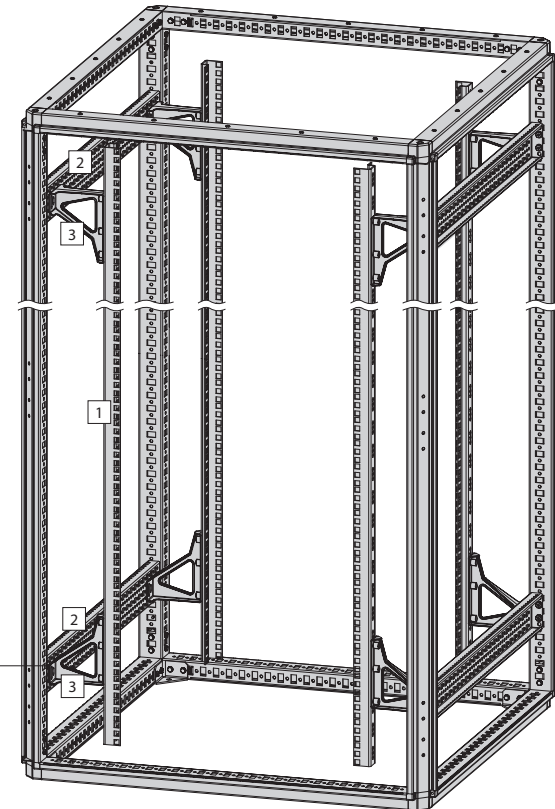
19" rack in a cabinet with a width of 600 mm

1. 19" mounting profile (page 197)
2. Mounting bar type C

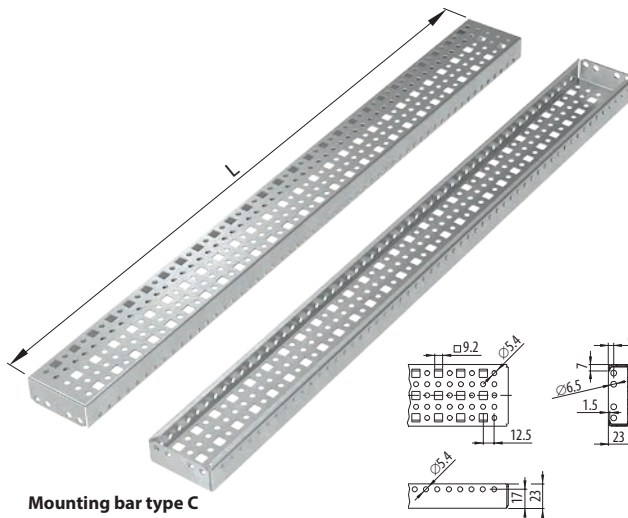


19" rack in a cabinet with a width of 800 mm

1. 19" mounting profile (page 197)
2. Mounting bar type C
3. Outrigger (page 197)



**Used fixing accessories:** WZ-1951-44-01-000 - M6x16 self-forming screws (see page 198);  
WZ-SB00-37-04-000 - fixing accessories for mounting profiles (see page 173)



Mounting bar type C

**Mounting bar type C**

For fixing 19" mounting profiles to SZE3 cabinet frame.

**Material**

Al-Zn coated sheet steel

**Scope of delivery**

Mounting bar C without fixing accessories.

For cabinet width or depth [mm]	Length of mounting bar C L [mm]	Catalogue number
1200	1106	WZ-6282-43-01-000
1000	906	WZ-6282-43-02-000
800	706	WZ-6282-43-03-000
600	506	WZ-6282-43-04-000
500	406	WZ-6282-43-05-000
400	306	WZ-6282-43-06-000

Package: 1 pc.

ACCESSORIES FOR SIZE3 CABINETS

19" MOUNTING PROFILES SYSTEM

**19" mounting profile**

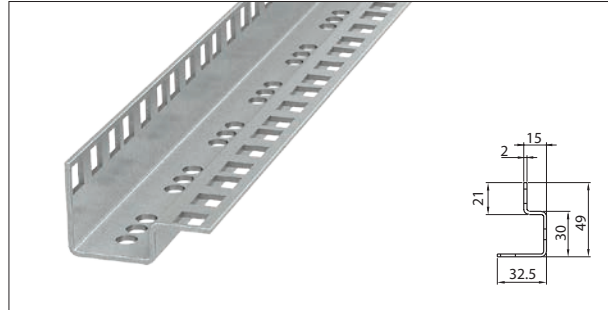
Used for installing 19" equipment in cabinets 600 or 800 mm wide. They are fixed to the cabinet's frame by using mounting bars type C; in order to achieve the 19" spacing in cabinets 800 mm wide it is necessary to use outriggers.

**Material**

Al-Zn coated sheet steel

**Scope of delivery**

Mounting profile without fixing accessories.



Length of mounting profile		Catalogue number
[mm]	[U = 44.45 mm]	
1868	42 U	WZ-1718-97-02-000
1779	40 U	WZ-1718-97-03-000
1734	39 U	WZ-1718-97-13-000
1690	38 U	WZ-1718-97-04-000
1601	36 U	WZ-1718-97-05-000

Package: 1 pc.

Length of mounting profile		Catalogue number
[mm]	[U = 44.45 mm]	
1468	33 U	WZ-1718-97-14-000
1423	32 U	WZ-1718-97-06-000
1334	30 U	WZ-1718-97-15-000
1245	28 U	WZ-1718-97-07-000
1201	27U	WZ-1718-97-16-000
1067	24 U	WZ-1718-97-08-000

**Outrigger**

For fixing mounting profile in SZE3 cabinet 800 mm wide.

**Material**

Zamak casting

**Scope of delivery**

1 outrigger with fixing accessories for fastening to mounting profile and mounting bar type C.



Package	Catalogue number
1 pc.	WZ-5205-90-00-C12

**19" transverse bar**

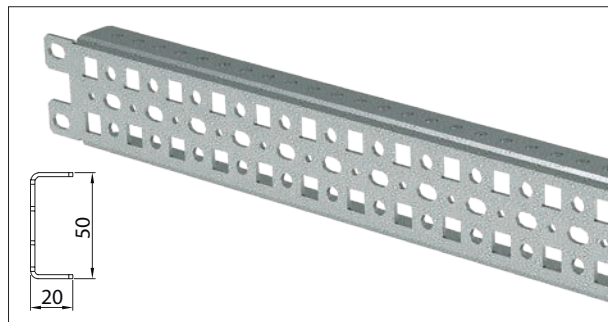
For installing devices on 19" mounting profiles or 19" swing frame.

**Material**

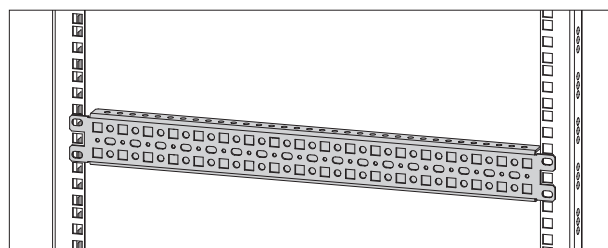
Al-Zn coated sheet steel

**Scope of delivery**

19" transverse bar without fixing accessories (fixing accessories should be ordered separately - cat. no WZ-1951-44-02-000, see page 198).

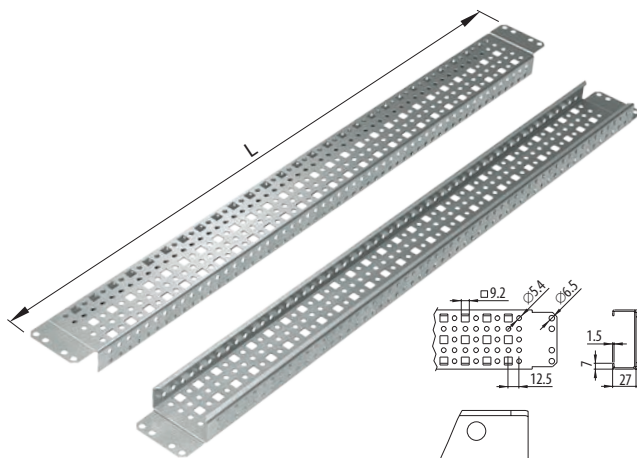


Package	Catalogue number
1 pc.	WZ-6414-05-00-000

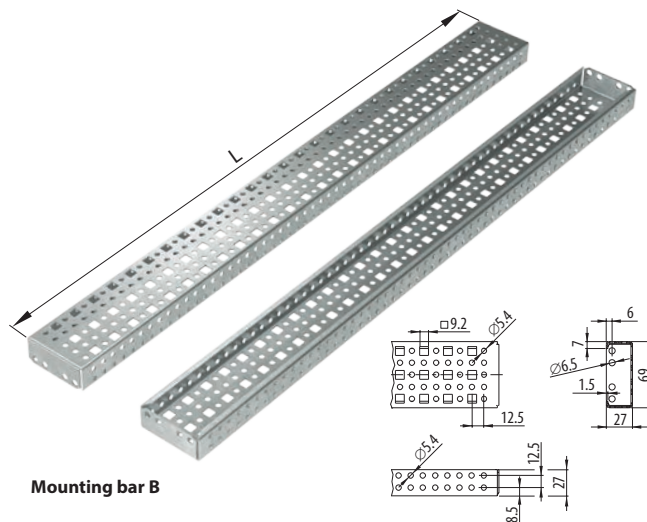


ACCESSORIES FOR SZE3 CABINETS

MOUNTING BARS SYSTEM



Mounting bar A



Mounting bar B

Mounting bars type A and B

For building racks inside the cabinet.  
Available in two types that differ in fastening method.

Material

Al-Zn coated sheet steel

Scope of delivery

Mounting bar without fixing accessories.

Type of mounting bar	For cabinet width or height* [mm]	Total length of mounting bar L [mm]	Catalogue number
A	1200	1162	WZ-6282-40-01-000
	-	1062	WZ-6282-40-02-000
	1000	962	WZ-6282-40-03-000
	-	862	WZ-6282-40-04-000
	800	762	WZ-6282-40-05-000
	-	662	WZ-6282-40-06-000
	600	562	WZ-6282-40-07-000
	500	462	WZ-6282-40-08-000
	400	362	WZ-6282-40-09-000
	-	262	WZ-6282-40-10-000
B	1200	1106	WZ-6282-42-01-000
	-	1006	WZ-6282-42-02-000
	1000	906	WZ-6282-42-03-000
	-	806	WZ-6282-42-04-000
	800	706	WZ-6282-42-05-000
	-	606	WZ-6282-42-06-000
	600	506	WZ-6282-42-07-000
	500	406	WZ-6282-42-08-000
	400	306	WZ-6282-42-09-000
	-	206	WZ-6282-42-10-000

Package: 1 pc.

\*) For horizontal fixing between the posts of the cabinet's frame



Self forming screws M6x16



Cage nuts M8 with wings



Cage nut M6, screw M6x16, washer 6.4

Fixing accessories

Self forming screws M6x16 – for fastening mounting profiles to the cabinet's frame and for interconnecting mounting profiles.

Cage nuts M8 with wings – for fastening devices to the cabinet's frame.

Cage nuts M6 with screws and washers – for fastening cable bar to the cable bar bracket on the cabinet's plinth or for fastening 19" transverse bar to the 19" mounting profiles.

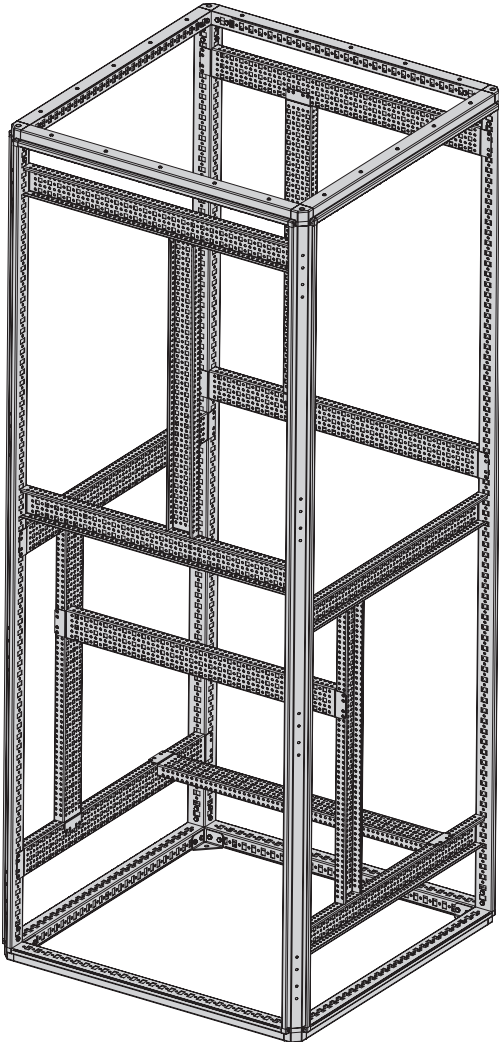
Scope of delivery

Sold in sets of 20 pieces.

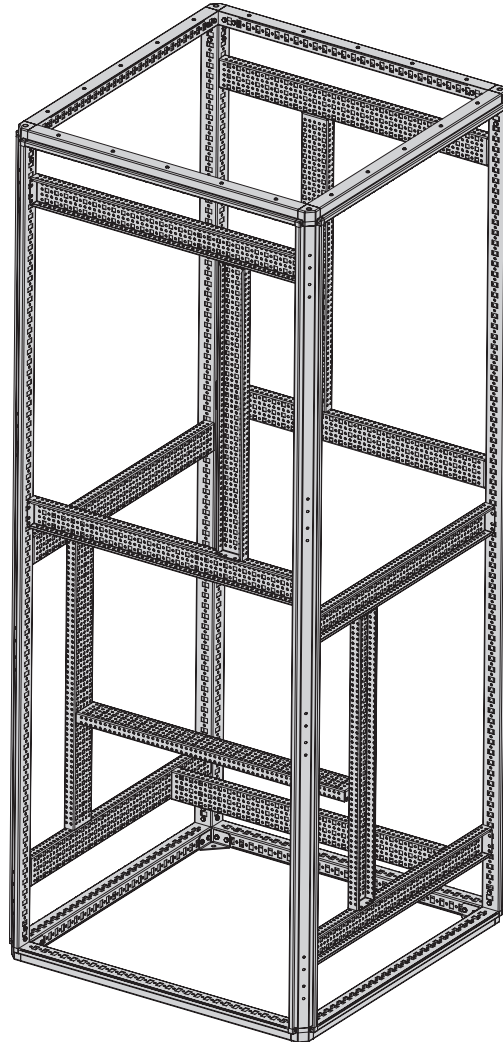
Description	Package	Catalogue number
Self forming screw M6x16	20 pc.	WZ-1951-44-01-000
Cage nut M8 with wings	20 pc.	WZ-6282-88-00-000
Cage nut M6 Screw M6x16 Washer 6.4	20 pc.	WZ-1951-44-02-000

ACCESSORIES FOR SZE3 CABINETS

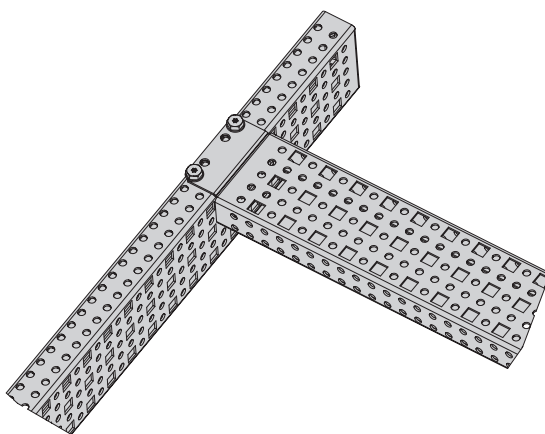
MOUNTING BARS SYSTEM



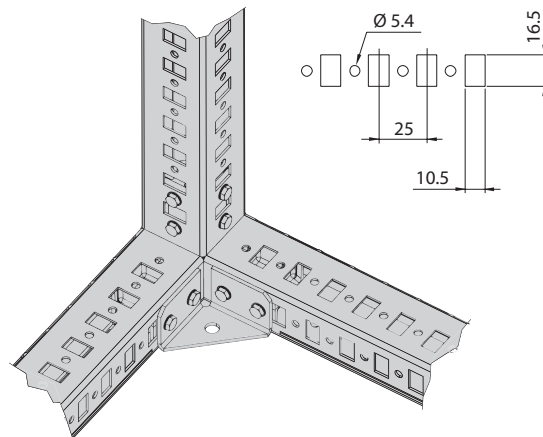
Example of built rack from mounting bars type A



Example of built rack from mounting bars type B



Example of connecting profile types A and B with M6 self-tapping screws

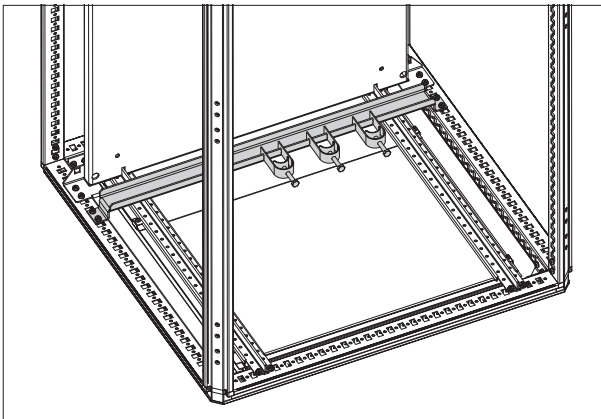


Perforation in SZE3 cabinet's frame:

- 10.5 x 16.5 mm holes for M8 cage nuts with wings,
- Ø 5.4 mm holes for M6 self-tapping screws

## ACCESSORIES FOR SZE3 CABINETS

## CABLE MANAGEMENT

**Cable bar mounted to cabinet's frame**

For fixing cables that enter the cabinet.  
Fixed into the horizontal profile of the cabinet's frame.

**Material**

Al-Zn coated sheet steel

**Scope of delivery**

Cable bar with fixing accessories.  
Cable clamps should be ordered separately.

For cabinet width [mm]	Catalogue number
1200	WZ-6282-72-01-000
1000	WZ-6282-72-02-000
800	WZ-6282-72-03-000
600	WZ-6282-72-04-000

Package: 1 pc.

**Cable clamps**

For fixing cables on the cable bar fixed to the cabinet's frame or plinth.

**Material**

Zinc coated sheet steel

**Scope of delivery**

Cable clamp - 5 pcs

For cable diameter [mm]	Catalogue number
8-12	WZ-K12U-00-00-000/5
12-16	WZ-K16U-00-00-000/5
16-20	WZ-K20U-00-00-000/5
20-24	WZ-K24U-00-00-000/5
24-28	WZ-K28U-00-00-000/5
28-32	WZ-K32U-00-00-000/5
32-36	WZ-K36U-00-00-000/5
36-40	WZ-K40U-00-00-000/5
40-44	WZ-K44U-00-00-000/5
44-48	WZ-K48U-00-00-000/5
48-52	WZ-K52U-00-00-000/5
52-56	WZ-K56U-00-00-000/5

Package: 5 pcs



## ACCESSORIES FOR SIZE3 CABINETS

## CABLE MANAGEMENT

**Cable bar mounted to plinth**

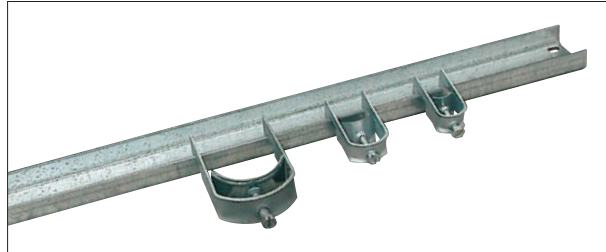
For fixing cables that enter the cabinet.  
Screwed to the cabinet plinth through the cable bar bracket.

**Material**

Al-Zn coated sheet steel

**Scope of delivery**

Cable bar without fixing accessories  
(cage nuts, screws M6, washers - see page 198).  
Cable clamps should be ordered separately.



For cabinet width [mm]	Catalogue number
1200	WZ-1951-22-01-000
1000	WZ-1951-22-02-000
800	WZ-1951-22-03-000
600	WZ-1951-22-04-000

Package: 1 pc.

**Cable bar bracket**

For mounting the cable bar on the modular plinth 200 mm height. Fixed on the interior side of the plinth.

**Material**

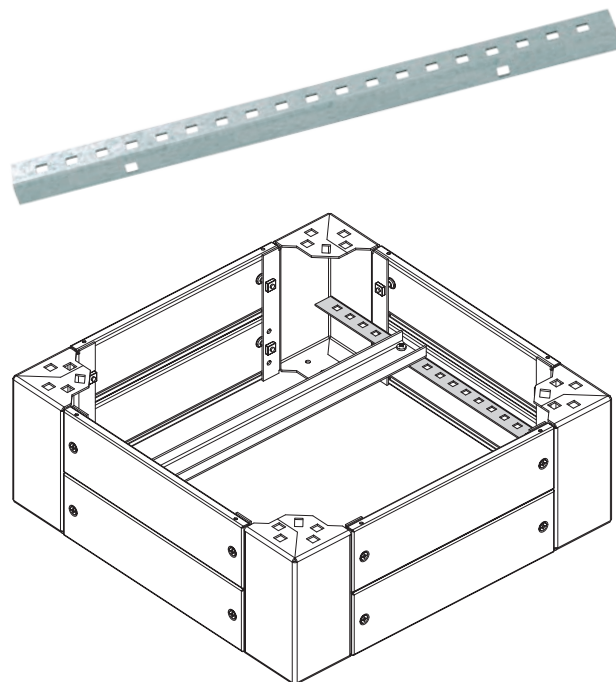
Al-Zn coated sheet steel

**Scope of delivery**

Cable bar bracket without fixing accessories  
(self forming screws - see page 198).

For cabinet depth [mm]	Catalogue number
800	WZ-1951-66-01-000
600	WZ-1951-66-02-000
500	WZ-1951-66-03-000
400	WZ-1951-66-04-000

Package: 1 pc.



## ACCESSORIES FOR SZE3 CABINETS

## BAYING CABINETS IN ROWS

**Mounting plate infill**

The plate infill makes it possible to achieve uniform mounting plane in cabinets bayed in rows.

**Material**

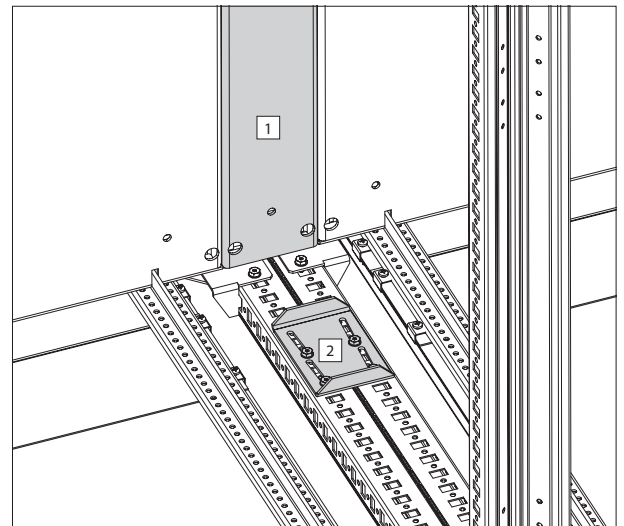
Zinc coated sheet steel

**Scope of delivery**

Mounting plate infill with fixing accessories.

For cabinet height [mm]	Catalogue number
2200	WZ-6282-24-01-000
2000	WZ-6282-24-02-000

Package: 1 pc.



- 1 - mounting plates connector  
2 - frame connector - type A

## ACCESSORIES FOR SIZE3 CABINETS

BAYING CABINETS IN ROWS

**Frame connectors and gasket**

For baying cabinets in rows.

**Material**

Frame connectors - Al-Zn coated sheet steel.

Gasket - polyurethane foam.

**Scope of delivery**

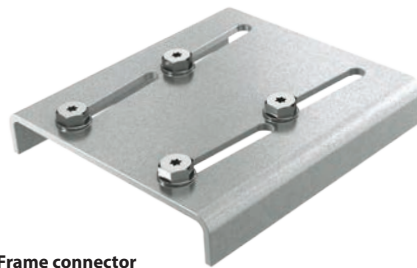
Frame connectors with fixing accessories, self-adhesive gasket - see table below.

Elements available separately or in set.

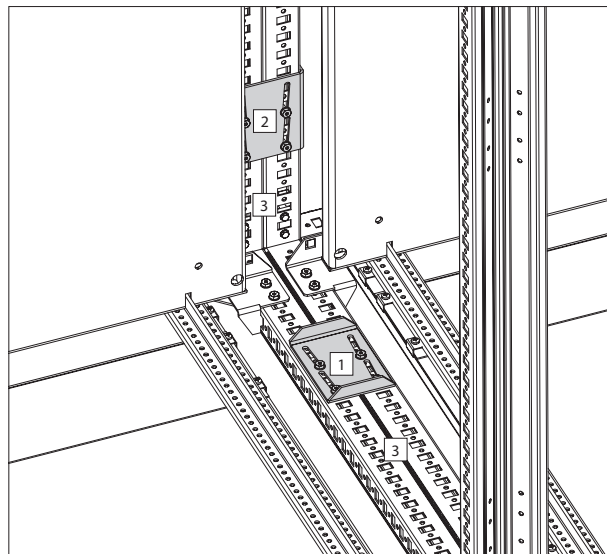
Description	Package	Catalogue number
Frame connector type A	1 pc.	WZ-6400-63-00-000
Frame connector type B	1 pc.	WZ-6400-64-00-000
Self-adhesive gasket	6 m	M1I-01-0088
Set for baying two cabinets together: - frame connectors type A - 2 pcs - frame connectors type B - 4 pcs - self-adhesive gasket - 6 m - fixing accessories	1 set	WZ-6678-00-00-000-EM



Frame connector  
type A



Frame connector  
type B



- 1 - frame connector – type A  
2 - frame connector – type B  
3 - self-adhesive gasket mounted on connection of cabinets' frames

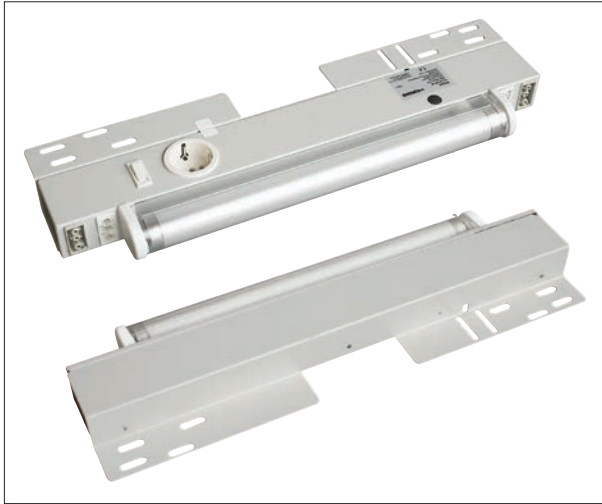


Self-adhesive gasket



ACCESSORIES FOR SZE3 CABINETS

LIGHTING



**System lighting kit**

Electric light fitting fixed into the horizontal profile of the cabinet's frame. Equipped with a Schuko power socket and a switch.

Possibility of direct power supply or use of the connecting cable from an adjacent lighting fitting.

Possibility of door switch control.

**Material**

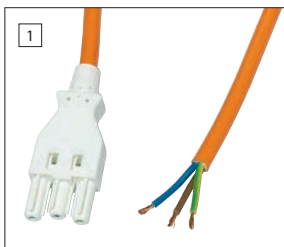
Electric light fitting

- sheet steel powder painted in RAL 7035 colour

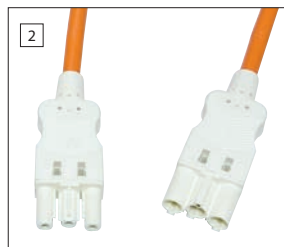
Mounting bar - Al-Zn coated sheet steel

**Scope of delivery**

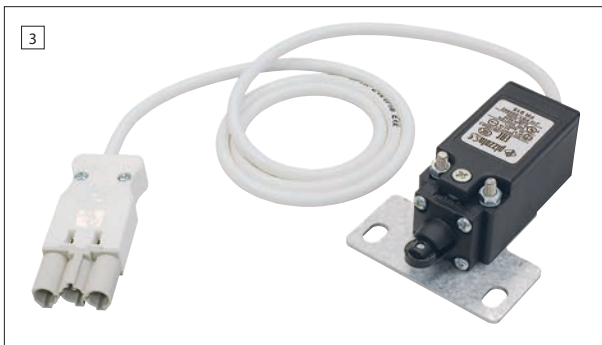
Kit contains: electric light fitting with a 14 W fluorescent lamp, mounting bar (only for the cabinets 600 mm wide), fixing accessories. Connecting cable, power supply cable and door switch set are to be ordered separately.



Power supply cable



Connecting cable



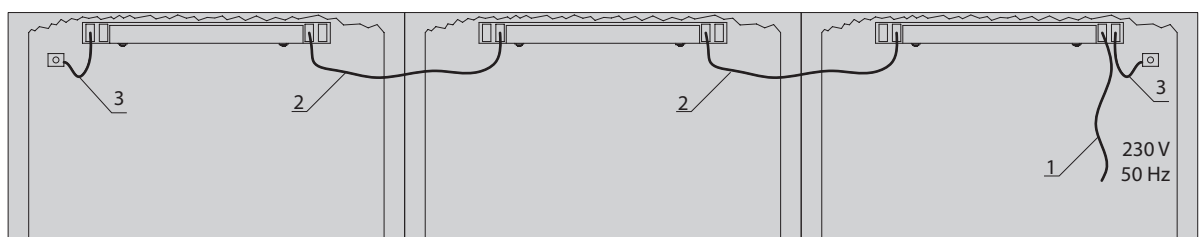
Door switch set with cable

Product name	For cabinet width [mm]	Catalogue number
System lighting kit with fixing accessories	1200, 1000, 800	WZ-6282-39-02-000
System lighting kit with fixing accessories and mounting bar	600	WZ-6282-39-01-000
Connecting cable 0.6 m	600 - 800	M1T-02-0012
Connecting cable 1.0 m	1000 - 1200	M1T-02-0011
Power supply cable 3.0 m		M1T-02-0016
Door switch set with 1.0 m cable		WZ-6282-71-00-000

Package: 1 pc

**CONNECTION DIAGRAM**

1 - power supply cable, 2 - connecting cable, 3 - door switch set

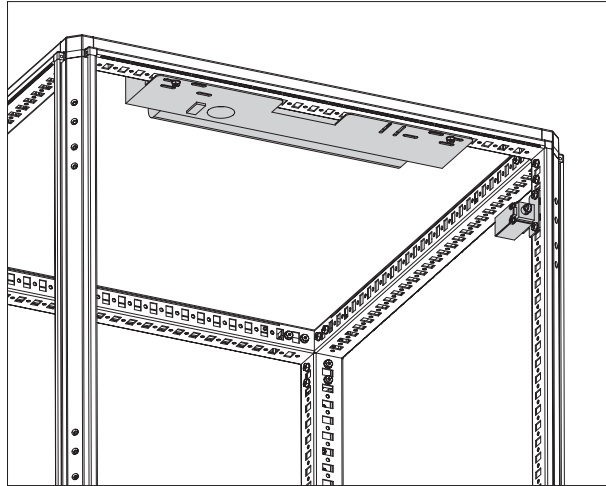
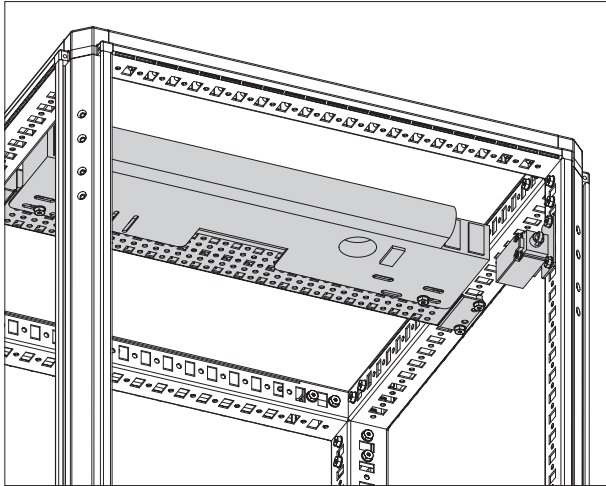


ACCESSORIES FOR SIZE3 CABINETS

LIGHTING

**SYSTEM LIGHTING KIT  
IN SIZE3 CABINET 600 MM WIDE**

**SYSTEM LIGHTING KIT  
IN SIZE3 CABINET 800 MM WIDE OR WIDER**



**Lighting set**

Electric light fitting with mounting bracket for attaching it to:

- horizontal or vertical profiles of cabinet frame,
- mounting bars type A or B,
- or 19" transverse bar.

Total length of the electric light fitting with mounting brackets: 340 mm

**Material**

- Body of the light fitting - aluminium
- Mounting brackets - Al-Zn coated sheet steel

**Scope of delivery**

Set: electric light fitting with a LED lamp 230 V, 5 W and switch, two mounting brackets, 1.5 m power supply cable, fixing accessories.



Package	Catalogue number
1 pc.	WZ-6282-99-00-000

**Universal lighting**

LED lamp, 230 V, 5 W, with switch and 1,3 m power cord. Mounted with two magnets. Serial installation possible.

**Material**

Plastic

**Scope of delivery**

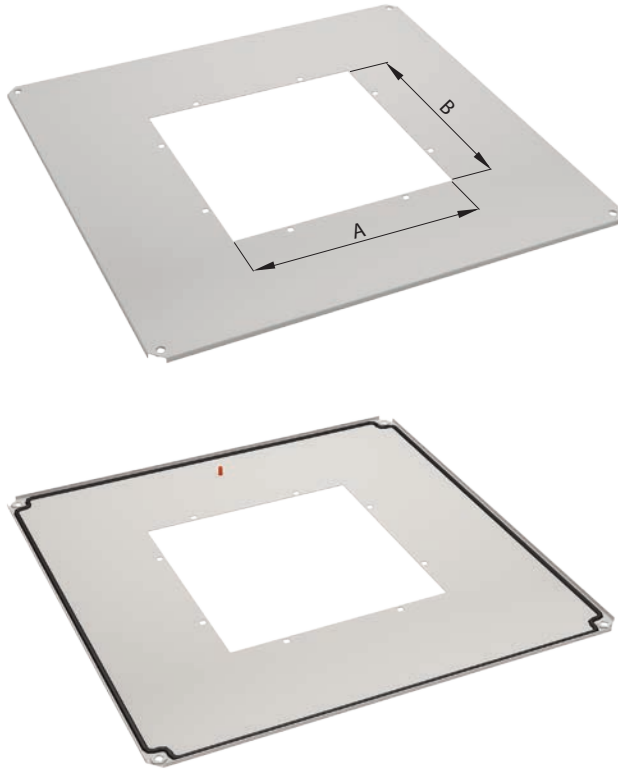
Lamp (1 pc.) with power cord.



Package	Catalogue number
1 pc.	M10-06-0644

## ACCESSORIES FOR SZE3 CABINETS

## TOP PANEL

**Top panel with opening**

Top panel with opening can be used instead of the solid top panel.

With a sealing gasket and the opening for blanking plate (see page 207) or a roof fan unit (page 77).

**Material**

Sheet steel powder painted in light grey (RAL 7035).

**Zakres dostawy**

Top panel with fixing accessories for mounting to the cabinet.

width [mm]	For cabinet		Opening dimensions A x B [mm]	Catalogue number
	width [mm]	depth [mm]		
1200		800	380 x 380	WZ-6282-53-01-011
		600	380 x 380	WZ-6282-53-02-011
		500	380 x 210	WZ-6282-53-03-011
		400	380 x 210	WZ-6282-53-04-011
1000		800	380 x 380	WZ-6282-53-05-011
		600	380 x 380	WZ-6282-53-06-011
		500	380 x 210	WZ-6282-53-07-011
		400	380 x 210	WZ-6282-53-08-011
800		800	380 x 380	WZ-6282-53-09-011
		600	380 x 380	WZ-6282-53-10-011
		500	380 x 210	WZ-6282-53-11-011
		400	380 x 210	WZ-6282-53-12-011
600		800	380 x 380	WZ-6282-53-13-011
		600	380 x 380	WZ-6282-53-14-011
		500	380 x 210	WZ-6282-53-15-011
		400	380 x 210	WZ-6282-53-16-011

Package: 1 pc.

ACCESSORIES FOR SIZE3 CABINETS

CABLE GLAND PLATES AND BLANKING PLATES

**Blanking and cable entry plates for cabinet's top panel**

Available in 5 types.

For blanking the opening in the top panel (see page 206).

**Material**

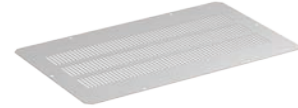
Sheet steel powder painted in RAL 7035.

**Scope of delivery**

Blanking or cable entry plate with mounting elements.



Solid blanking plates



Perforated blanking plates



Type of blanking or cable entry plate	Protection degree of cabinets equipped with a blanking plate		For opening [mm]	Catalogue number
	Cabinet without a roof	Cabinet with a roof		
Solid blanking plate	IP 54	IP 54	380 x 380	WZ-4810-07-00-011
			380 x 210	WZ-1951-26-00-011
Perforated blanking plate	IP 20	IP 21	380 x 380	WZ-1718-39-01-011
			380 x 210	WZ-1718-39-02-011
Blanking plate with a fabric filter	IP 10	IP 21	380 x 380	WZ-1718-42-01-011
			380 x 210	WZ-1718-42-02-011
Cable entry plate with a brush strip	IP 00	IP 21	380 x 380	WZ-5271-10-00-011
			380 x 210	WZ-5271-14-00-011
Cable entry plate with a foam strip	IP 10	IP 21	380 x 380	WZ-1718-40-01-011
			380 x 210	WZ-1718-40-02-011

Package: 1 pc.



Blanking plates with a fabric filter



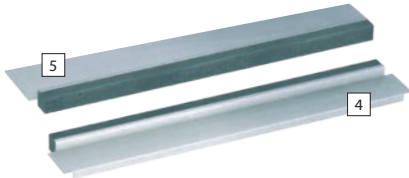
Cable entry plates with a brush strip



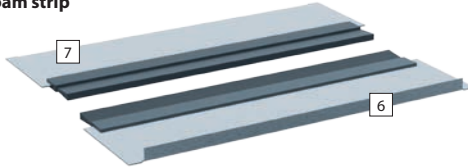
Cable entry plates with a foam strip

ACCESSORIES FOR SZE3 CABINETS

CABLE GLAND PLATES AND BLANKING PLATES



Spare kit of sliding gland plates with foam strip



Spare kit of sliding gland plates with brush strip

Spare kit of sliding gland plates for cabinet's bottom plate

Sliding gland plates with foam strip (4, 5) or brush strip (6, 7) are intended for application instead of standard sliding gland plates (1, 2).

They create a cable opening with adjustable width.

Foam strip protects cable isolation lead into the cabinet from any defects, at the same time increasing the cabinet's tightness. Brush strip protects against dust.

Material

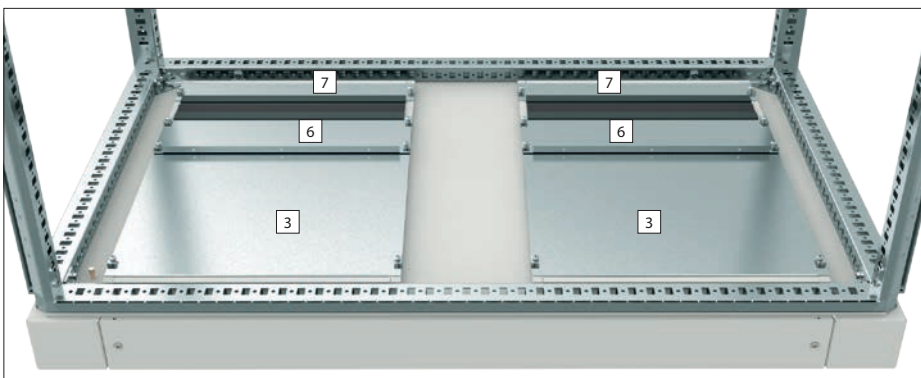
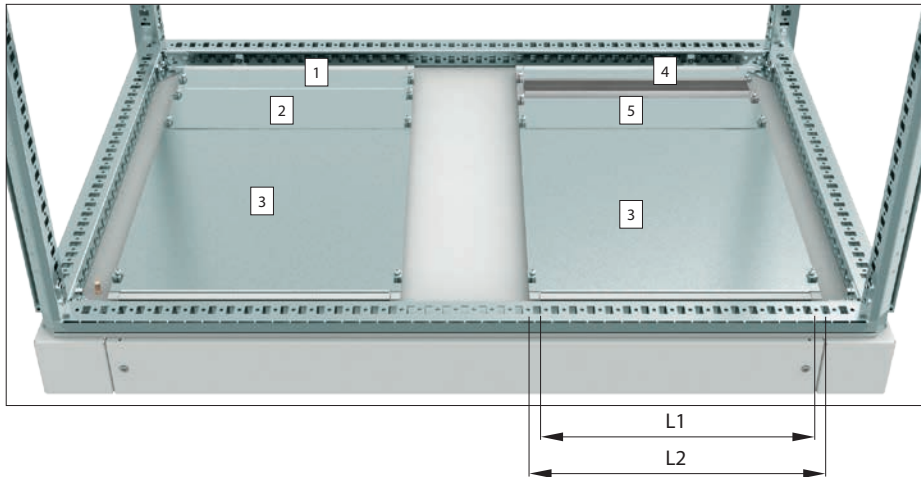
Al-Zn coated sheet steel, polyurethane foam, plastic brush.

Scope of delivery

Set of 2 sliding gland plates with foam strip (No. 4 and 5) or brush strip (No. 6 and 7). Used for one opening in SZE3 cabinet bottom plate (note: 1000 and 1200 mm wide cabinets have two openings in the bottom plate).

For cabinet width [mm]	Width of the opening for the sliding gland plate L1 [mm]	Width of the sliding gland plate L2 [mm]	Catalogue number	
			Kit of sliding gland plates with foam strip	Kit of sliding gland plates with brush strip
800	576	616	WZ-1951-81-01-000	WZ-8186-50-01-000
1200 or 600	376	416	WZ-1951-81-02-000	WZ-8186-50-02-000
1000	326	386	WZ-1951-81-03-000	WZ-8186-50-03-000

Package: 1 set



Method of fastening sliding gland plates in the bottom plate of the SZE3 cabinet

Supply of all cabinets includes:

1, 2, 3 – standard sliding gland plates (without foam or brush) for each opening in the bottom plate of the cabinet.

Supplementary accessories:

4, 5 - spare kit of sliding gland plates with foam strip

or

6, 7 - spare kit of sliding gland plates with brush strip

(intended for fastening instead of standard gland plates without foam or brush)



## ACCESSORIES FOR SZE3 CABINETS

## CABLE GLAND PLATES AND BLANKING PLATES

**Kit of sliding gland plates with a foam strip**

For 800 mm deep SZE3 cabinets.

**Material**

Al-Zn coated sheet steel, polyurethane foam.

**Scope of delivery**

Set of 4 sliding gland plates with foam, 1 central plate, fixing elements. Used for one opening in SZE3 cabinet bottom plate (note: 1000 and 1200 mm wide cabinets have two openings in the bottom plate).

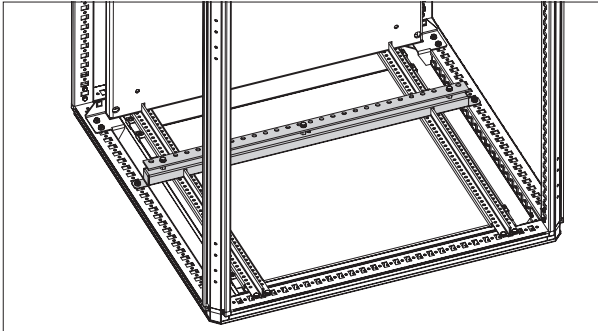
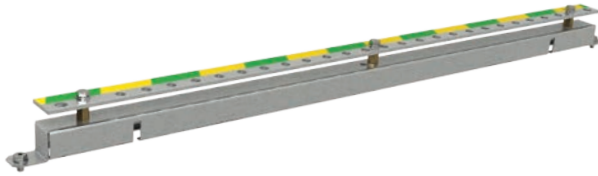


For cabinet width [mm]	Width of the opening for the sliding gland plate L1 [mm]	Width of the sliding gland plate L2 [mm]	Catalogue number
800	576	616	WZ-5716-13-05-000
1200 or 600	376	416	WZ-5716-13-07-000
1000	326	386	WZ-5716-13-03-000

Package: 1 set

## ACCESSORIES FOR SZE3 CABINETS

## EARTHING AND POTENTIAL EQUALISATION

**Earthing bar**

Earthing bar with a bracket for mounting on horizontal profiles of SZE3 cabinet's frame. It has M8 threaded holes for fastening cables. Bar mounted to the bracket using metal fixing/spacer bolts.

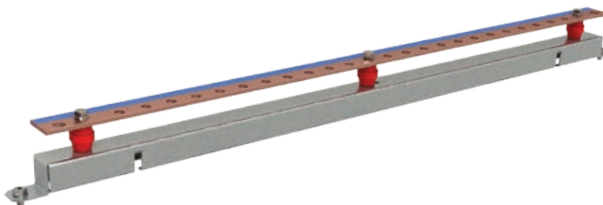
**Material**

Earthing bar - zinc coated steel  
Mounting bracket - Al-Zn coated sheet steel

**Scope of delivery**

Earthing bar with bracket and fixings accessories for assembling into the cabinet.

For cabinet width [mm]	Package	Catalogue number
1200	1 pc.	WZ-6282-78-01-000
1000	1 pc.	WZ-6282-78-02-000
800	1 pc.	WZ-6282-78-03-000
600	1 pc.	WZ-6282-78-04-000

**Shielding bar**

Shielding bar with a bracket for mounting on horizontal profiles of SZE3 cabinet's frame. It has M8 threaded holes for fastening cables. Bar mounted to the bracket using insulators.

**Material**

Shielding bar - copper  
Mounting bracket - Al-Zn coated sheet steel

**Scope of delivery**

Shielding bar with bracket and fixing accessories for assembling into the cabinet.

For cabinet width [mm]	Package	Catalogue number
1200	1 pc.	WZ-6282-79-01-000
1000	1 pc.	WZ-6282-79-02-000
800	1 pc.	WZ-6282-79-03-000
600	1 pc.	WZ-6282-79-04-000

## ACCESSORIES FOR SIZE3 CABINETS

## EARTHING AND POTENTIAL EQUALISATION

**Earthing cable set**

Copper wires for making compensation protective connections between all the removable components of the cabinet, its structure, and the earthing strip.

Cables are terminated with ring terminals for M8 bolts.

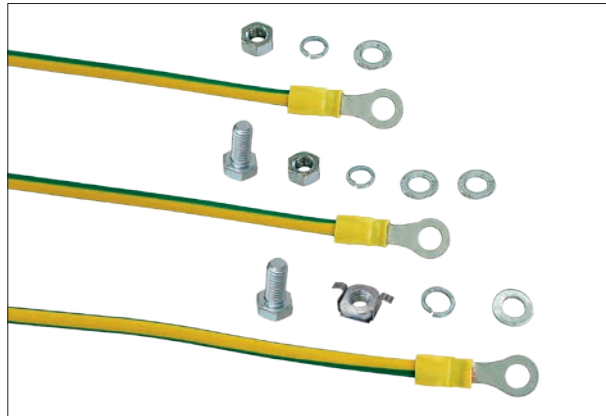
**Material**

Copper, galvanized steel, stainless steel

**Scope of delivery**

Set: 9 insulated strand, full section 6 mm<sup>2</sup>, fixing accessories.

Package	Catalogue number
1 set	WZ-6282-50-00-000

**Vertical earthing bar**

Mounted vertically to the 19" swing frame using brackets. It has threaded holes M6 for cables fixing.

Length: 1650 mm

**Material**

Copper bar 30 x 3 mm

**Scope of delivery**

Earthing bar with brackets and fixing elements.

Package	Catalogue number
1 set	WZ-7580-11-00-000



## ACCESSORIES FOR SZE3 CABINETS

## ACCESSORIES FOR MOUNTING ELECTRICAL EQUIPMENT

**Electric meter box**

It is used for installation of electricity meters in the SZE3 cabinet with 19" swing frame or 19" mounting profiles.

**Material**

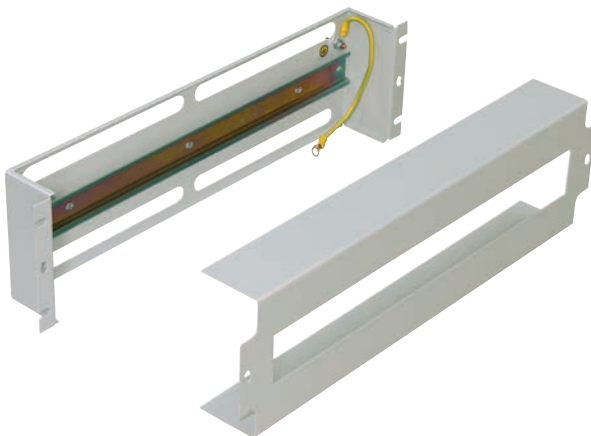
Steel sheet powder painted in RAL 7035

**Scope of delivery**

Electric meter box with fixing accessories for mounting to the cabinet.

Installation method to the cabinet	External dimensions [mm]			Internal dimensions [mm]		Catalogue number
	height [mm]	width [mm]	depth [mm]	height [mm]	width [mm]	
On 19" mounting profiles or 19" swing frame (pages 195-197)	444.5 (10U)	482.6	150	401.5	440	WZ-5716-38-01-011

Package: 1 pc

**Voltage distribution panel**

Universal 19" enclosure for modular devices.

**Capacity of panel**

Maximum number of built-in S-type modules (width of module 17.5 mm): 22 pcs.

**Material**

Steel sheet powder painted in RAL 7035

**Scope of delivery**

Mounting base, DIN rail, housing, fixing accessories for mounting to the cabinet.

**Note:**

On individual request, the panel can be fitted with electrical equipment - see page 102

Installation method to the cabinet	External dimensions [mm]			Internal dimensions [mm]		Catalogue number	
	height [mm]	width [mm]	depth [mm]	height [mm]	width [mm]	RAL 7035	RAL 9005
On 19" mounting profiles or 19" swing frame (pages 195-197)	133 (3U)	482.6	60	130	440	WZ-PS3U-00-00-011	WZ-PS3U-00-00-161

Package: 1 pc

ACCESSORIES FOR SIZE3 CABINETS

VENTILATING, COOLING AND HEATING

**Heater**

Compact heat device equipped with fan.

**Technical data**

- Power supply ..... 230 V AC 50-60 Hz
- Heating force ..... 200/400 W
- Fan capacity ..... 10 m<sup>3</sup> /h
- Protection degree ..... IP 20
- Dimensions ..... 71x70x95 mm

**Features:**

- 2 power ranges depending on how connect the power cord,
- independent power supply circuit of the fan.

**Scope of delivery:**

- heater,
- DIN rail,
- two holders,
- screw clamps for connecting power cords.

Package	Catalogue number
1 pc.	WN-0316-09-00



**Thermostat**

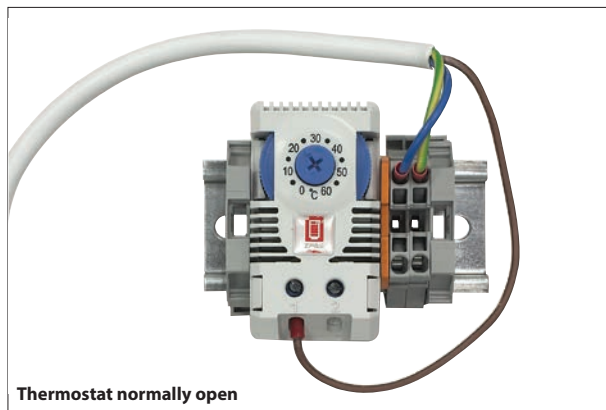
Thermostatic regulator indicated for controlling fans, heaters, heat exchanger or for attaching signal generator at exceeding preset temperature limits.

**Technical data:**

- Sensor element: thermal bimetal
- Temperature range: 0-60 °C, hysteresis ca. 7 °C
- Contact types: snap action contact
- Power carrying capacity: 6 A (1) 250 V AC
- Radio frequency interference: N (according to VDE 0875)

**Scope of delivery:**

- thermostat,
- DIN rail,
- cable,
- two holders,
- two clamps.

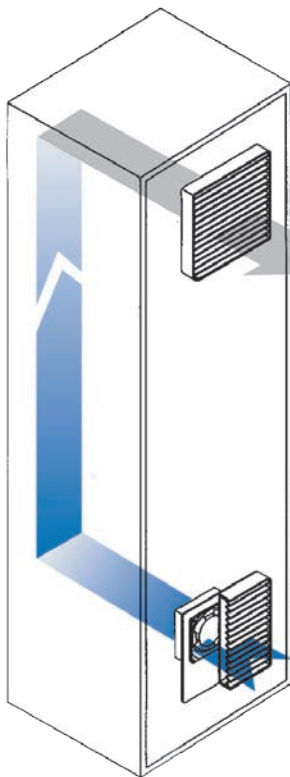


Thermostat normally open

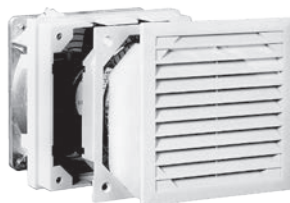
Type of thermostat	Colour of handwheel	Package	Catalogue number
Normally closed Switches off devices (e.g. heaters) at selected temperature limit.	●	1 pc.	WN-0201-01-00-000/A
Normally open Switches on ventilation system (e.g. fans) at selected temperature limit.	●	1 pc.	WN-0201-02-00-000/A

ACCESSORIES FOR SZE3 CABINETS

VENTILATING, COOLING AND HEATING



Example of ventilation of the cabinet with forced air circulation



Example of filter fans

**Filter fans and exhaust filters**

- Intended for mounting in side panels and door of the cabinet.
- Fastened with latches and screws.
- Enclosure made of ABS material, light grey (RAL 7035).
- Equipped with high quality filter inserts and gaskets.
- Possibility of changing direction of air flow by turning the fan.

**Type of fan supply**

230 V AC (50/60 Hz)

On request: 115 V AC (50/60 Hz) or 24 V DC

**Protection degree**

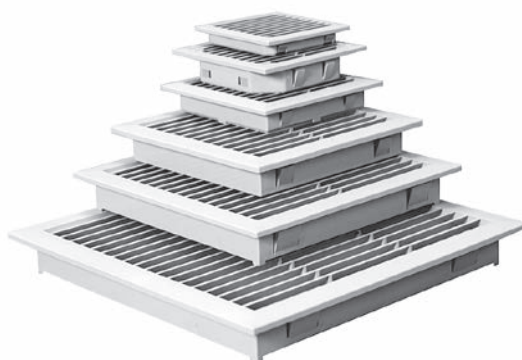
IP 54 in accordance with EN 60529

**Selection of filter fans and exhaust filters should be consulted with ZPAS customer service.**

**FILTER FANS**

Type	Air flow through filter fan [m <sup>3</sup> /h]		Dimensions [mm]		Catalogue number
	without filter	with filter	montage opening	overall dimensions	
LV100	25	15	92 x 92	105 x 105	M1S-01-0026
LV200	58	40	116 x 116	130 x 130	M1S-01-0043
LV250	63	42	125 x 125	148 x 148	M1S-01-0074
LV300	115	90	177 x 177	204 x 204	M1S-00-0010
LV400	250	205	223 x 223	250 x 250	M1S-00-0011
LV410	250	205	223 x 223	250 x 250	M1S-01-0070
LV500	315	235	223 x 223	250 x 250	M1S-01-0066
LV550	370	260	223 x 223	250 x 250	M1S-00-0055
LV600	580	385	292 x 292	323 x 323	M1S-01-0067
LV700	730	530	292 x 292	323 x 323	M1S-00-0045
LV800	930	610	292 x 292	323 x 323	M1S-01-0104

**EXHAUST FILTER**



Exhaust filter

Type	Dimensions [mm]		Catalogue number
	montage opening	overall dimensions	
GV100	92 x 92	105 x 105	M1S-03-0007
GV200	116 x 116	130 x 130	M1S-03-0023
GV250	125 x 125	148 x 148	M1S-03-0030
GV300	177 x 177	204 x 204	M1S-03-0010
GV400/500	223 x 223	250 x 250	M1S-03-0011
GV600/700	292 x 292	323 x 323	M1S-03-0031

## ACCESSORIES FOR SIZE3 CABINETS

VENTILATING, COOLING AND HEATING

**Air conditioner and heat exchanger**

On customer's request, SIZE3 cabinets can be equipped with an air conditioner or heat exchanger (air/air type) fixed on the doors, side panels or in the top plate.

**Mode of operation**

Internal cabinet air is sucked up from the top, cooled inside the air conditioner or heat exchanger and returned the cabinet at a high speed towards the bottom. This solution ensures optimum cooling of the entire cabinet.

**Protection degree**

Air conditioners and heat exchangers in standard ZPAS offer have IP 54 protection degree.



Heat exchangers

**AVAILABLE TYPES OF AIR CONDITIONERS****Side/door-mounted**

PROTHERM Indoor

- basic series of air conditioners
- 330-4000 W cooling power
- designed for mounting on cabinet side panel or door

SLIM

- for applications where flat air conditioner is required
- 500-3000 W cooling power
- designed for mounting on cabinet side panel or on cabinet door

PROTHERM Outdoor

- for use outdoors
- 550-4000 W cooling power
- two mounting options: outside or inside a cabinet
- optional built-in heater

**Roof-mounted**

TOP

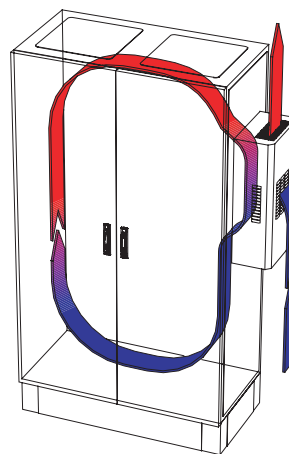
- mounted on cabinet roof
- 330-5200 W cooling power
- most models equipped with triple condensate protection system

**Modular**

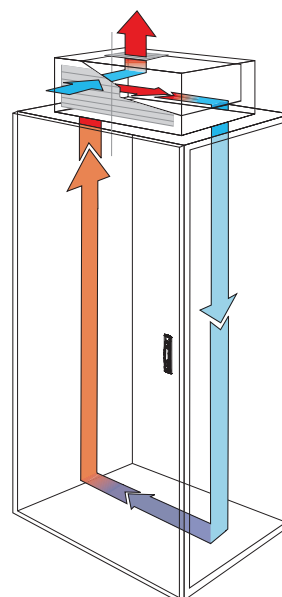
MODULE

- for cabinet sets, mounted on the side of a cabinet with a depth 600 or 800 mm
- 5800-10000 W cooling power
- all models with electronic control

**Selection of the air conditioner or heat exchanger should be consulted with ZPAS customer service.**



Air conditioner fixed on cabinet's side panel



Air conditioner fixed on cabinet's top plate

