

## ACCESSORIES FOR SZE2 CABINETS

## 19" MOUNTING PROFILES SYSTEM

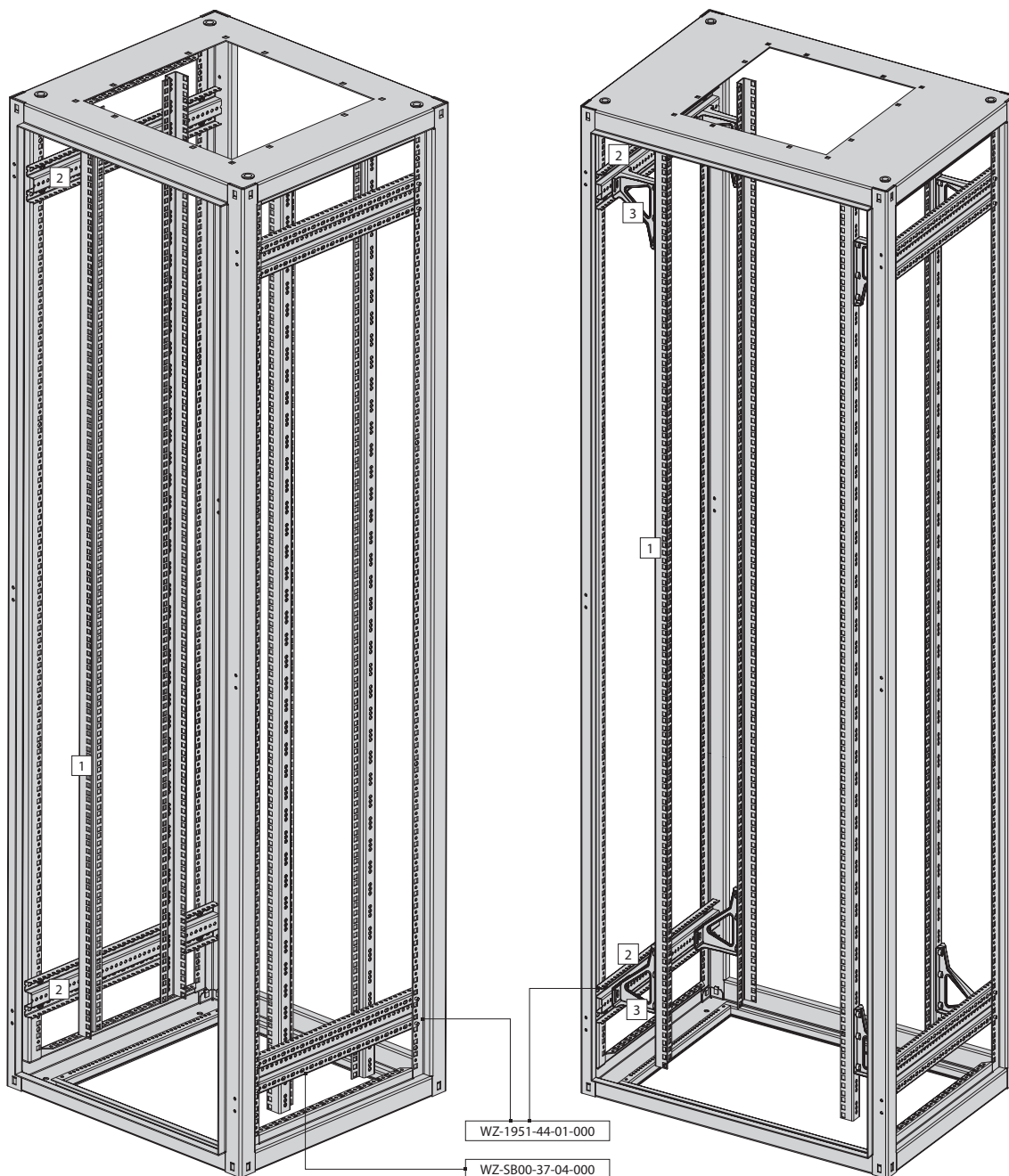
## 19" rack construction methods

## 19" rack in a cabinet with a width of 600 mm

1. 19" mounting profile (page 39)
2. Mounting bar UNI (page 42)

## 19" rack in a cabinet with a width of 800 mm

1. 19" mounting profile (page 39)
2. Mounting bar UNI (page 42)
3. Outrigger (page 39)



**Used fixing accessories:** WZ-1951-44-01-000 - M6x16 self-forming screws (see page 43)  
 WZ-SB00-37-04-000 - fixing accessories for mounting profiles (see page 57)

ACCESSORIES FOR SIZE2 CABINETS

19" MOUNTING PROFILES SYSTEM

**19" mounting profile**

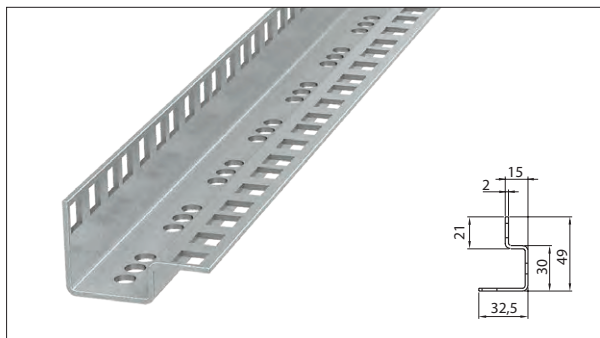
Used for installing 19" equipment in cabinets 600 or 800 mm wide. They are fixed to the cabinet's frame by using mounting bars UNI; in order to achieve the 19" spacing in cabinets 800 mm wide it is necessary to use outriggers, while in cabinets 1000 and 1200 mm wide an individual rack made of mounting bars UNI.

**Material**

Al-Zn coated sheet steel

**Scope of delivery**

Mounting profile without fixing accessories.



Length of mounting profile		Catalogue number
[mm]	[U = 44.45 mm]	
1067	24 U	WZ-1718-97-08-000
1200	27 U	WZ-1718-97-16-000
1245	28 U	WZ-1718-97-07-000
1334	30 U	WZ-1718-97-15-000
1422	32 U	WZ-1718-97-06-000
1467	33 U	WZ-1718-97-14-000

Length of mounting profile		Catalogue number
[mm]	[U = 44.45 mm]	
1600	36 U	WZ-1718-97-05-000
1689	38 U	WZ-1718-97-04-000
1734	39 U	WZ-1718-97-13-000
1778	40 U	WZ-1718-97-03-000
1867	42 U	WZ-1718-97-02-000
2089	47 U	WZ-1718-97-20-000

Package: 1 pc.

**Outrigger**

For fixing mounting profile in SZE2 cabinet 800 mm wide.

**Material**

Zamak casting

**Scope of delivery**

1 outrigger with fixing accessories for fastening to mounting profile and mounting bar UNI.



Package	Catalogue number
1 pc.	WZ-5205-90-00-C12

**19" transverse bar**

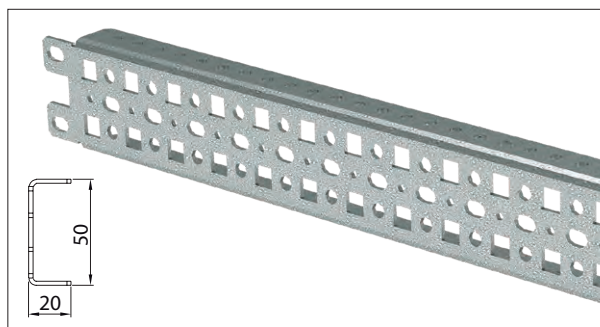
For installing devices on 19" mounting profiles or 19" swing frame.

**Material**

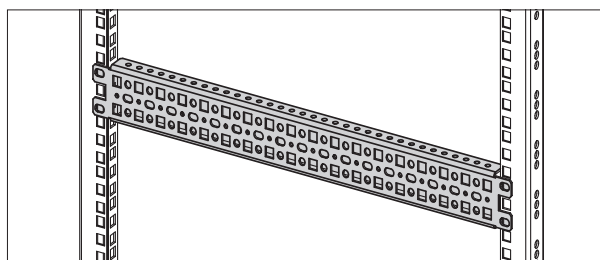
Al-Zn coated sheet steel

**Scope of delivery**

19" transverse bar without fixing accessories (fixing accessories: cat. no WZ-1951-44-02-000, see page 43).



Package	Catalogue number
1 pc.	WZ-6414-05-00-000



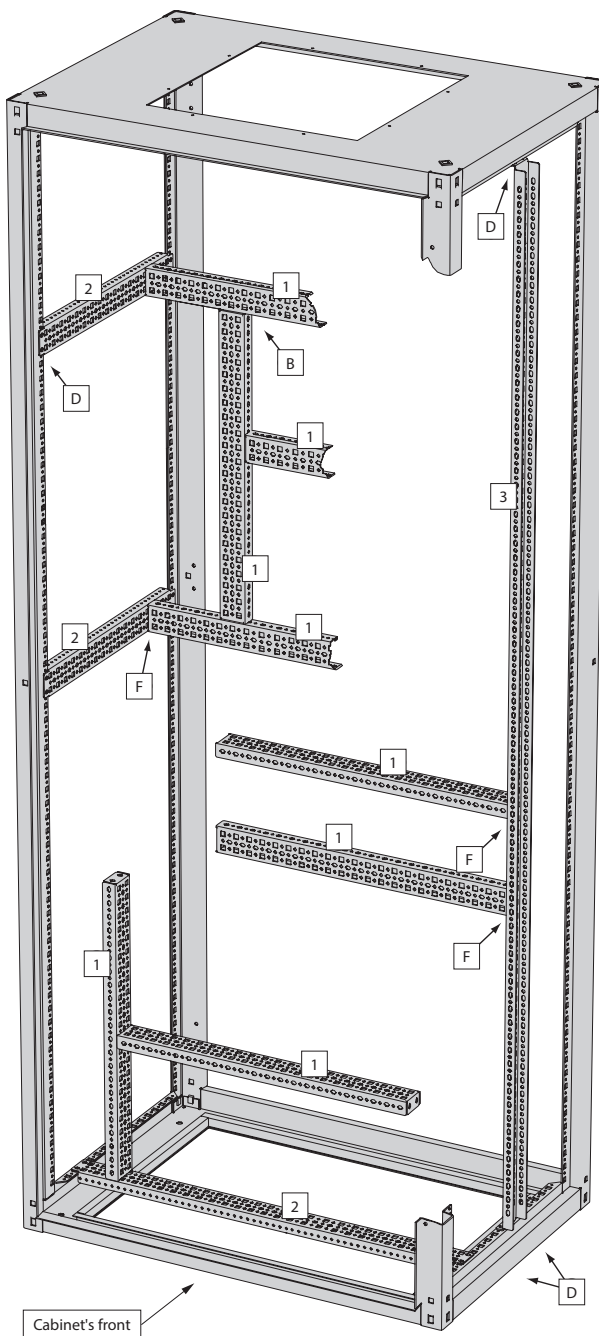
ACCESSORIES FOR SIZE2 CABINETS

MOUNTING BARS SYSTEM

Rack construction methods - mounting bars system

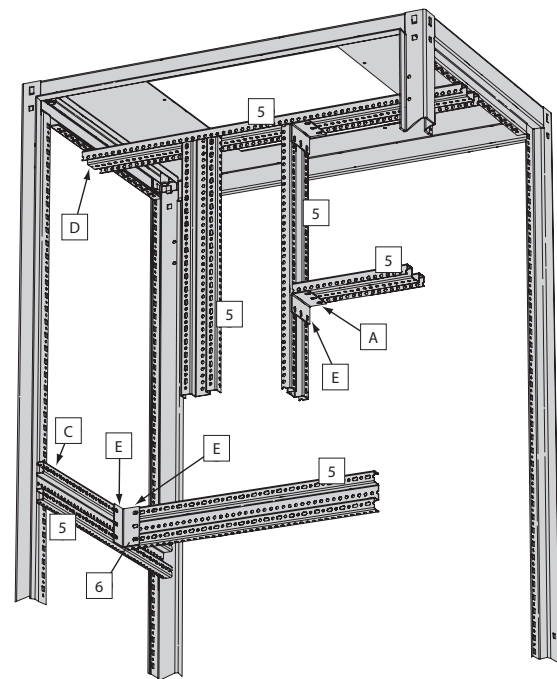
CLASSIC system

- 1. Mounting bar CLASSIC (page 41)
- 2. Cross bar CLASSIC (page 41)
- 3. Vertical bar CLASSIC (page 42)



UNI system

- 5. Mounting bar UNI (page 42)
- 6. Angle-element for joining mounting bars UNI (page 43)



FIXING ACCESSORIES

Description	pcs.	From set* cat. number
A screw with nut and washers	1	WZ-1951-44-03-000
B screw with nut and washers	2	WZ-1951-44-03-000
C self-forming screw	1	WZ-1951-44-01-000
or screw with cage nut and washer	2	WZ-1951-44-02-000
D self-forming screw	2	WZ-1951-44-01-000
or screw with cage nut and washer	2	WZ-1951-44-02-000
E self-forming screw	2	WZ-1951-44-01-000
or screw with nut and washers	2	WZ-1951-44-03-000
F screw with cage nut and washer	2	WZ-1951-44-02-000
or screw with nut and washers	2	WZ-1951-44-03-000

\*) Fixing accessories are sold in sets 20 pcs/1 set.  
A detailed description is available on page 43.

ACCESSORIES FOR SIZE2 CABINETS

MOUNTING BARS SYSTEM

**Mounting bar CLASSIC**

Fixed to cross bars or vertical bar.

**Material**

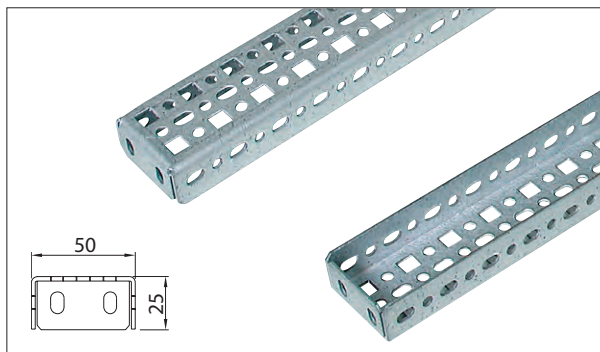
Al-Zn coated sheet steel

**Scope of delivery**

Mounting bar without fixing accessories (fixing accessories are listed on page 43).

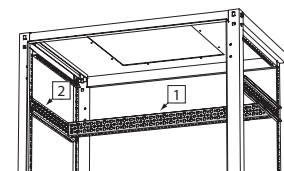
Mounting bar length [mm]	Catalogue number	Mounting bar length [mm]	Catalogue number
200	WZ-0573-12-25-000	650	WZ-0573-12-13-000
225	WZ-0573-12-24-000	700	WZ-0573-12-12-000
250	WZ-0573-12-23-000	750	WZ-0573-12-11-000
275	WZ-0573-12-22-000	775	WZ-0573-12-10-000
300	WZ-0573-12-21-000	800	WZ-0573-12-09-000
350	WZ-0573-12-20-000	850	WZ-0573-12-08-000
400	WZ-0573-12-19-000	900	WZ-0573-12-07-000
450	WZ-0573-12-18-000	950	WZ-0573-12-06-000
500	WZ-0573-12-17-000	1000	WZ-0573-12-05-000
525	WZ-0573-12-16-000	1050	WZ-0573-12-04-000
550	WZ-0573-12-15-000	1100	WZ-0573-12-03-000
600	WZ-0573-12-14-000	1150	WZ-0573-12-02-000
		1200	WZ-0573-12-01-000

Package: 1 pc.



**MATCHING MOUNTING BAR CLASSIC TO CABINET'S WIDTH**

Cabinet width [mm]	Length of mounting bar CLASSIC [mm]
600	550
800	750
1000	950
1200	1150



1. Mounting bar CLASSIC  
2. Cross bar CLASSIC

**Cross bar CLASSIC**

Fixed to vertical or horizontal slots of the cabinet's frame.

**Material**

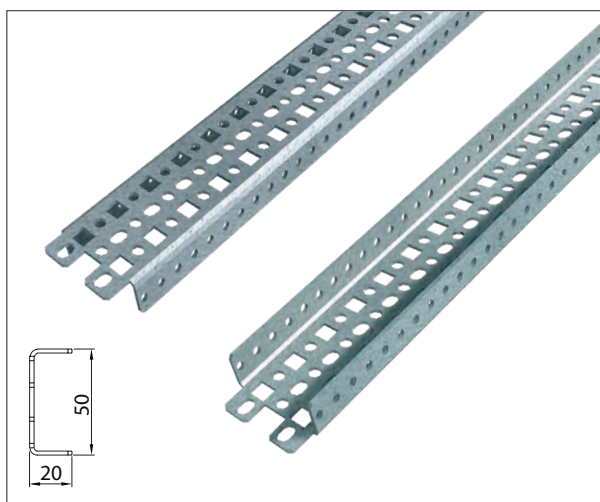
Al-Zn coated sheet steel

**Scope of delivery**

Cross bar without fixing accessories (fixing accessories are listed on page 43).

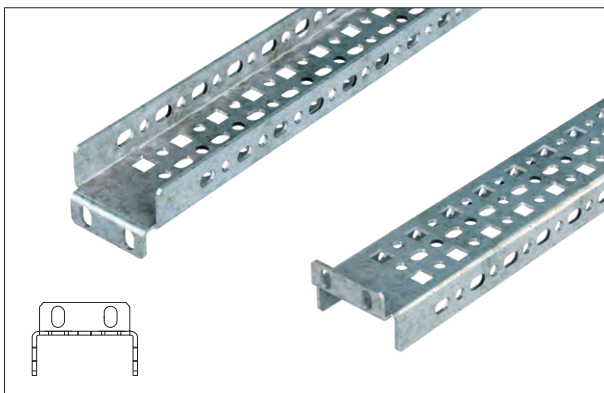
For cabinet		Cross bar length [mm]	Catalogue number
width [mm]	depth [mm]		
600	–	552.5	WZ-1951-46-08-000
800	–	752.5	WZ-1951-46-07-000
1000	–	952.5	WZ-1951-46-06-000
1200	–	1152.5	WZ-1951-46-05-000
–	400	240	WZ-1951-46-04-000
–	500	340	WZ-1951-46-03-000
–	600	440	WZ-1951-46-02-000
–	800	640	WZ-1951-46-01-000

Package: 1 pc.



ACCESSORIES FOR SZE2 CABINETS

MOUNTING BARS SYSTEM



**Vertical bar CLASSIC**

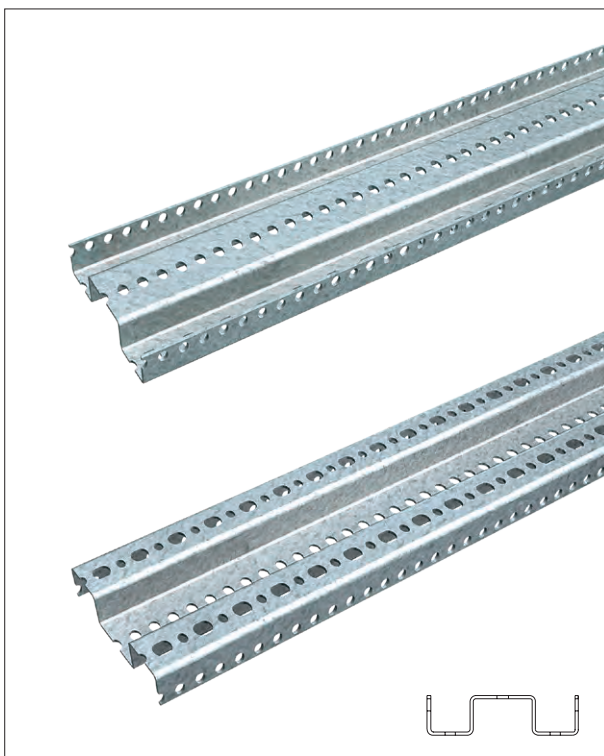
Fixed to the bottom and top plate of the cabinet's frame.

**Material**  
Al-Zn coated sheet steel

**Scope of delivery**  
Vertical bar without fixing accessories (fixing accessories are listed on page 43).

For cabinet height [mm]	Vertical bar length [mm]	Catalogue number
2000	1875	WZ-1951-48-01-000
2200	2075	WZ-1951-48-05-000

Package: 1 pc.



**Mounting bar UNI**

Mounting bars UNI enable configuration of any rack inside the cabinet.

Slots in the bars are adjusted both for horizontal and vertical slots of the cabinet's frame.

The standard offer includes bars whose length is adjusted to the cabinet's dimensions (see the chart below). Other lengths of bars are available on customer's request. It is possible to select the length of bar individually by cutting bars during the assembly.

**Material**  
Al-Zn coated sheet steel

**Scope of delivery**  
Mounting bar without fixing accessories.

height <sup>1</sup> [mm]	For cabinet		Length of mounting bar [mm]	Catalogue number
	width <sup>2</sup> [mm]	depth <sup>3</sup> [mm]		
1200	–	–	1075	WZ-1951-19-04-000
1600	–	–	1475	WZ-1951-19-03-000
1800	–	–	1675	WZ-1951-19-02-000
2000	–	–	1875	WZ-1951-19-01-000
2200	–	–	2075	WZ-4950-31-00-000
–	600	–	562.5	WZ-1951-19-08-000
–	800	–	762.5	WZ-1951-19-07-000
–	1000	–	962.5	WZ-1951-19-06-000
–	1200	–	1162.5	WZ-1951-19-05-000
–	–	400	300	WZ-1951-19-12-000
–	–	500	400	WZ-1951-19-11-000
–	–	600	500	WZ-1951-19-10-000
–	–	800	700	WZ-1951-19-09-000

Package: 1 pc.

**Methods of fastening bars in the cabinet (look at page 40):**

- <sup>1)</sup> Indirect fastening by bars cat. No from WZ-1951-19-05-000 to WZ-1951-19-08-000.
- <sup>2)</sup> Direct fastening to the bottom or top plate.
- <sup>3)</sup> Direct fastening to the cabinet's posts.

## ACCESSORIES FOR SZE2 CABINETS

### MOUNTING BARS SYSTEM • SHELVES

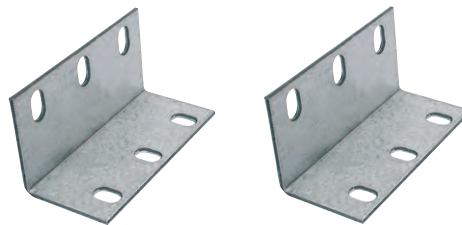
### Angle element for joining mounting bars UNI

#### Material

Al-Zn coated sheet steel

#### Scope of delivery

1 angle element without fixing accessories.

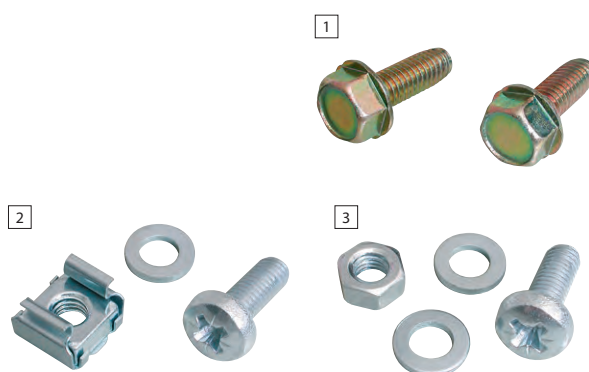


Package	Catalogue number
1 pc.	WZ-1951-21-00-000

### Fixing accessories for CLASSIC and UNI bars

Application in accordance with instructions on page 40. They are sold in sets of 20 pcs. each.

Description	Package = 1 set	Catalogue number
1) Self forming screw M6x16	20 pcs.	WZ-1951-44-01-000
2) Screw M6x16 Cage nut M6 Washer 6.4	20 pcs. 20 pcs. 20 pcs.	WZ-1951-44-02-000
3) Screw M6x16 Nut M6 Washer 6.4	20 pcs. 20 pcs. 40 pcs.	WZ-1951-44-03-000



### Shelves

Mounted directly to the cabinet's frame.

#### Material

Steel sheet powder painted in light grey (RAL 7035)

#### Scope of delivery

Shelf without fixing accessories.

WZ-8041-A1-67-011



WZ-5899-11-00-011



For cabinet		Shelf dimensions* [mm]	Nośność półki [kg]	Perforation in the surface of the shelf	Catalogue number
Width [mm]	Depth [mm]				
600	600	552 x 540 x 25	100	NO	WZ-5899-09-00-011
800	600	752 x 530 x 25	100	YES	WZ-5899-11-00-011
800	500	754 x 390 x 33	200	NO	WZ-8041-A1-67-011
600	800	552 x 730 x 25	100	YES	WZ-6138-61-00-011
800	800	752 x 730 x 25	100	YES	WZ-6412-62-00-011

Package: 1 pc.

\*) On customers request, shelves with other dimensions can be produced.

