

SZE2 SYSTEM CABINETS



SZE2 SYSTEM CABINETS

SZE2 SYSTEM CABINETS



Cabinet 600 mm wide including mounting plate, without side panels



Cabinet 800 mm wide including 19" swing frame



Cabinet 800 mm wide including 19" mounting profiles and plinth, without side panels

- Universal industrial cabinets designed for both outdoor and indoor applications.
- Design of the cabinet allows easy buying in rows.
- Manufactured in 26 standard dimensions according to the chart below.
- Cabinets of non-standard dimensions (e.g. with a height of **1800 mm**) or in stainless steel version can be manufactured on individual customer's request.

REFERENCE CHART

	Total width of the cabinet [mm]		Total depth of the cabinet [mm]	Height of the cabinet without plinth [mm]	
	with flushed side panels	with external side panels		2000	2200
	Catalogue numbers of cabinets in basic configuration				
Cabinets with single-leaf door	600	650	400	WZ-SZE2-2050-S10A-00-111-00-0-011	–
			500	WZ-SZE2-2012-S10A-00-111-00-0-011	WZ-SZE2-2212-S10A-00-111-00-0-011
			600	WZ-SZE2-2011-S10A-00-111-00-0-011	WZ-SZE2-2211-S10A-00-111-00-0-011
			800	WZ-SZE2-2010-S10A-00-111-00-0-011	WZ-SZE2-2210-S10A-00-111-00-0-011
Cabinets with single-leaf door	800	850	400	WZ-SZE2-2049-S10A-00-111-00-0-011	–
			500	WZ-SZE2-2009-S10A-00-111-00-0-011	WZ-SZE2-2209-S10A-00-111-00-0-011
			600	WZ-SZE2-2008-S10A-00-111-00-0-011	WZ-SZE2-2208-S10A-00-111-00-0-011
			800	WZ-SZE2-2007-S10A-00-111-00-0-011	WZ-SZE2-2207-S10A-00-111-00-0-011
Cabinets with double-leaf door	1000	1050	500	WZ-SZE2-2006-S10A-00-111-00-0-011	WZ-SZE2-2206-S10A-00-111-00-0-011
			600	WZ-SZE2-2005-S10A-00-111-00-0-011	WZ-SZE2-2205-S10A-00-111-00-0-011
			800	WZ-SZE2-2004-S10A-00-111-00-0-011	WZ-SZE2-2204-S10A-00-111-00-0-011
			500	WZ-SZE2-2003-S10A-00-111-00-0-011	WZ-SZE2-2203-S10A-00-111-00-0-011
Cabinets with double-leaf door	1200	1250	600	WZ-SZE2-2002-S10A-00-111-00-0-011	WZ-SZE2-2202-S10A-00-111-00-0-011
			800	WZ-SZE2-2001-S10A-00-111-00-0-011	WZ-SZE2-2201-S10A-00-111-00-0-011

SCOPE OF DELIVERY

Cabinet in basic configuration (nr kat. WZ-SZE2-.....-S10A-00-111-00-0-011) includes: cabinet's frame, front door with a lock that incl. double-bit insert (no handle), rear panel, mounting plate for the full height of the cabinet, blanking plates for cabinet's top plate, set of sliding gland plates for cabinet's bottom plate.

Note: side panels, plinth, roof, lifting eyes and other supplementary accessories should be ordered separately.

TECHNICAL DATA

Material

Sheet steel

Protection degree

IP 54 in accordance with EN 60529

Surface finishing

Cabinet's frame, doors, panels, roof, plinth – powder painted in RAL 7035 (epoxide-polyester paint of coarse-grained structure, applied for internal conditions). On customer's request, it is possible to use special paint with increased resistance to adverse weather conditions.

Mounting plate - zinc coated

Mounting bars - Al-Zn coated

On request, the frame, door, side panels, roof and the plinth can be made of stainless steel.

Maximum load capacity

1000 kg if equipment installed on the mounting plate,

1600 kg if equipment installed on a structure made of mounting bars fixed to the frame,

20 kg if equipment installed on doors,

150 kg if equipment installed on the swing frame.

CABINET DESIGN

Welded framework of the cabinet

- Slotted side framework enables fixing a system of mounting rails or a mounting plate.
- The top plate of the frame is fitted with openings designed for cable entries or for mounting fan units. In the standard version, they are blinded with solid blanking plates.
- The bottom plate of the frame is fitted with one or two openings designed for cable entries. In the standard version, they are blinded with sliding gland plates.

Front door, rear panel

- Cabinets 1000 and 1200 mm wide are equipped with a double-leaf door, while cabinets 800 and 600 mm wide are equipped with a single-leaf door. A rear panel can be replaced with a rear door in all available widths of the cabinets.
- Easy change of door opening direction (by turning the door wing and the lock).
- Standard door is equipped with a 3-point lock and a stiffening slotted frame used for cable ducts, bundles of cables etc.
- Locking systems: factory-mounted lock with double-bit insert, option of replacement with a lock provided with a swing handle and cylinder insert.
- Possibility of manufacturing doors with a glass panel and perforation.
- Maximum door opening angle is 120°.

Two options of side panels

- Flushed panels - kept within cabinet dimensions.
- External panels - expanding the cabinet by 25 mm on each side.

Roof

- As a part of supplementary accessories.
- Recommended for cabinets placed outside the buildings.

Lifting eyes

- Lifting eyes are available if requested. They are fixed to the threaded holes in the top of the frame.

Base

- The cabinet is normally placed on either 100 mm or 200 mm plinth.
- It is possible to set the cabinet directly on the cable duct, however this option needs to be discussed with our technical staff.

Sealing gasket

- Doors, panels and solid blanking plates used in the top are sealed with polyurethane foam.

Baying cabinets in rows

- Possibility to bay cabinets in rows.
- Bayed cabinets can be additionally equipped with a partition.



The cabinet with the roof and flushed side panels



The cabinet with the roof and external side panels



The cabinet with a roof, flushed side panels and lifting eyes



Lock with swing handle and cylinder insert



Lock with double-bit insert

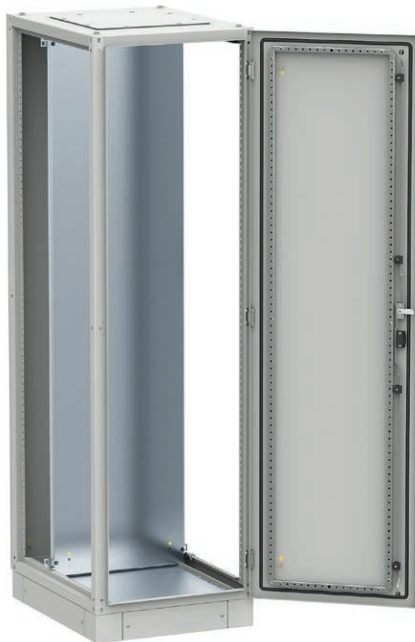


Baying cabinets in rows by using mounting plate infill

Fastening appliances in the cabinet

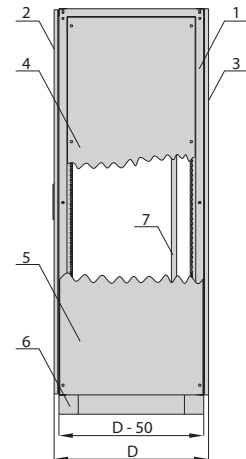
- Mounting plate - fits within the light of the cabinet, easy positioning by means of 2 sliding profiles on both sides; quick fastening using 4 bolts.
- Mounting rails - make it possible to build a required racking system within the cabinet (openings in the rails match the horizontal and vertical openings of the frame).
- 19" mounting profiles.
- 19" swing frame for cabinets 800 mm wide.

SZE2 SYSTEM CABINETS



SZE2 cabinet 600 mm wide, without side panels, intended for baying in rows

Side view
(comparison of flushed and external side panels)



Notes:
Dimensions of bottom and top plates are specified on pages 18-19.
Detailed drawings of the cabinet are given on pages 16-17.

REFERENCE CHART – cabinets with a width of 600–800 mm

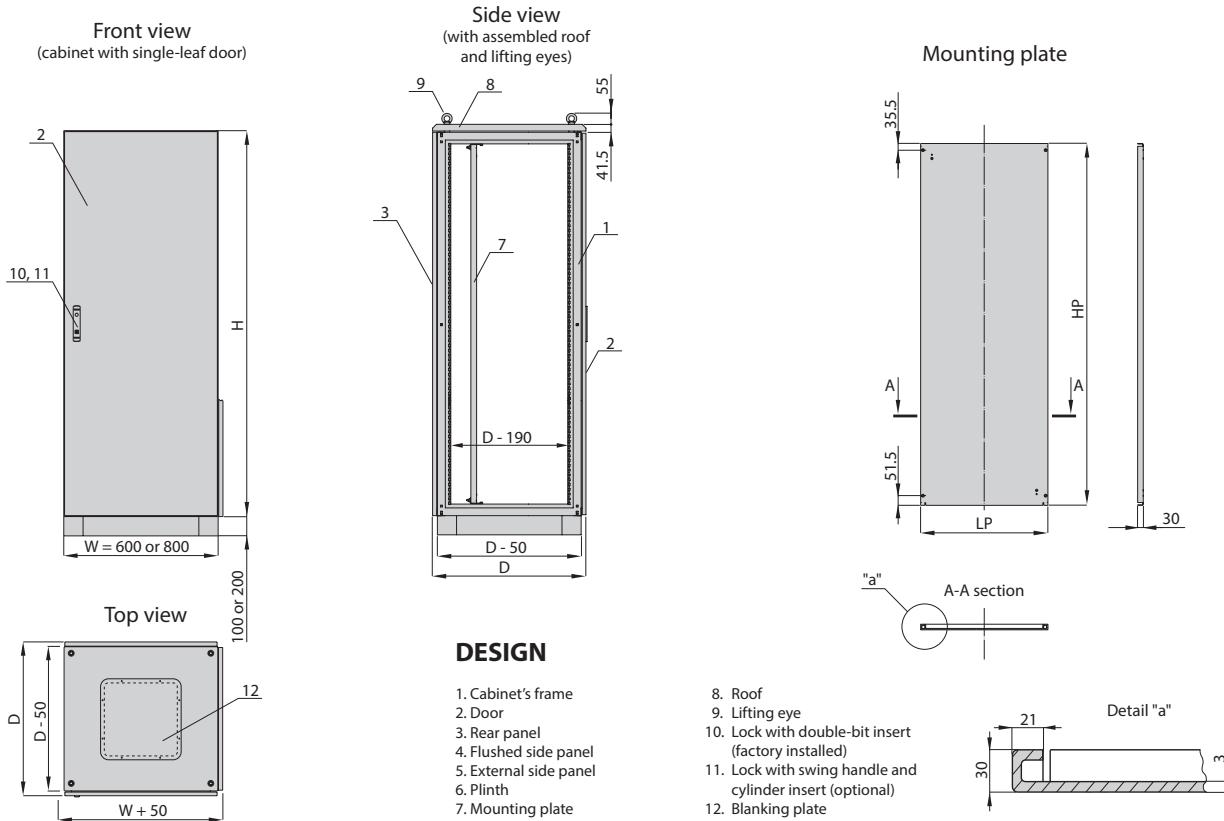
Dimensions of cabinet's frame [mm]	Height H	2000	2000	2000	2000	2000	2000
	Width W	600	600	600	600	800	800
	Depth D	400	500	600	800	400	500
Door's type	Number of wings	1	1	1	1	1	1
Dimensions of mounting plate [mm]	Height HP	1930	1930	1930	1930	1930	1930
	Width WP	512	512	512	512	712	712

	Page	Package	Catalogue numbers						
SZE2 cabinet*		1 pc.	WZ-SZE2-2050-S10A-00-111-00-0-011	WZ-SZE2-2012-S10A-00-111-00-0-011	WZ-SZE2-2011-S10A-00-111-00-0-011	WZ-SZE2-2010-S10A-00-111-00-0-011	WZ-SZE2-2049-S10A-00-111-00-0-011	WZ-SZE2-2009-S10A-00-111-00-0-011	
Supplementary accessories**	Flushed in side panels	27	2 pcs	WZ-1951-09-13-011	WZ-1951-09-03-011	WZ-1951-09-02-011	WZ-1951-09-01-011	WZ-1951-09-13-011	WZ-1951-09-03-011
	External side panels	27	2 pcs	WZ-1951-07-29-011	WZ-1951-07-07-011	WZ-1951-07-06-011	WZ-1951-07-05-011	WZ-1951-07-29-011	WZ-1951-07-07-011
	Roof for cabinet with flushed side panels	26	1 pc.	WZ-1951-27-14-011	WZ-1951-27-13-011	WZ-1951-27-12-011	WZ-1951-27-11-011	WZ-1951-27-10-011	WZ-1951-27-09-011
	Roof for cabinet with external side panels	26	1 pc.	WZ-1951-28-14-011	WZ-1951-28-13-011	WZ-1951-28-12-011	WZ-1951-28-11-011	WZ-1951-28-10-011	WZ-1951-28-09-011
	100 mm welded plinth	30	1 pc.	WZ-1951-71-14-011	WZ-1951-71-13-011	WZ-1951-71-12-011	WZ-1951-71-11-011	WZ-1951-71-10-011	WZ-1951-71-09-011
	200 mm welded plinth	30	1 pc.	WZ-1951-74-14-011	WZ-1951-74-13-011	WZ-1951-74-12-011	WZ-1951-74-11-011	WZ-1951-74-10-011	WZ-1951-74-09-011
	Mounting plates infill	48	1 pc.	WZ-1951-47-01-000	WZ-1951-47-01-000	WZ-1951-47-01-000	WZ-1951-47-01-000	WZ-1951-47-01-000	WZ-1951-47-01-000
	19" symmetrical swing frame	32	1 pc.	WZ-1951-29-05-011	WZ-1951-29-05-011	WZ-1951-29-05-011	WZ-1951-29-05-011	WZ-1951-29-01-011	WZ-1951-29-01-011
	19" asymmetrical swing frame	32	1 pc.	–	–	–	–	WZ-1951-20-01-011	WZ-1951-20-01-011
	Earthing bar set	42	1 pc.	WZ-1951-24-04-000	WZ-1951-24-04-000	WZ-1951-24-04-000	WZ-1951-24-04-000	WZ-1951-24-03-000	WZ-1951-24-03-000
	Schielding bar	42	1 pc.	WZ-1951-25-04-000	WZ-1951-25-04-000	WZ-1951-25-04-000	WZ-1951-25-04-000	WZ-1951-25-03-000	WZ-1951-25-03-000
	Cable bar	41	1 pc.	WZ-1951-22-04-000	WZ-1951-22-04-000	WZ-1951-22-04-000	WZ-1951-22-04-000	WZ-1951-22-03-000	WZ-1951-22-03-000
	Support for cable bar	40	1 pc.	WZ-1951-66-04-000	WZ-1951-66-03-000	WZ-1951-66-02-000	WZ-1951-66-01-000	WZ-1951-66-04-000	WZ-1951-66-03-000
	Transverse cable bar	40	1 pc.	WZ-1951-65-04-000	WZ-1951-65-03-000	WZ-1951-65-02-000	WZ-1951-65-01-000	WZ-1951-65-04-000	WZ-1951-65-03-000
Kit of system lighting	44	1 set	WZ-1951-80-04-011	WZ-1951-80-04-011	WZ-1951-80-04-011	WZ-1951-80-04-011	WZ-1951-80-03-011	WZ-1951-80-03-011	

*) SZE2 cabinet - basic configuration: cabinet's frame, front door with a lock that incl. double-bit insert (no handle), rear panel, mounting plate for the full height of the cabinet, blanking plates for cabinet's top plate, set of sliding gland plates for cabinet's bottom plate. Note: side panels, plinth, roof, lifting eyes and other supplementary accessories should be ordered separately.

**) Detailed list of supplementary accessories: see pages 23-55.

SYSTEM CABINETS SZE2



2000	2000	2200	2200	2200	2200	2200	2200	2200	2200
800	800	600	600	600	600	800	800	800	800
600	800	400	500	600	800	400	500	600	800
1	1	1	1	1	1	1	1	1	1
1930	1930	2130	2130	2130	2130	2130	2130	2130	2130
712	712	512	512	512	512	712	712	712	712

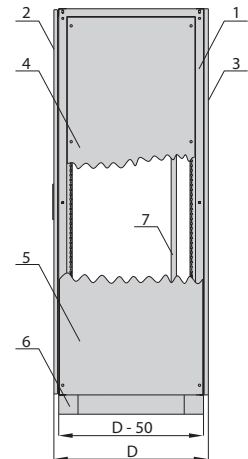
Catalogue numbers									
WZ-SZE2-2008-S10A-00-111-00-0-011	WZ-SZE2-2007-S10A-00-111-00-0-011	-	WZ-SZE2-2212-S10A-00-111-00-0-011	WZ-SZE2-2211-S10A-00-111-00-0-011	WZ-SZE2-2210-S10A-00-111-00-0-011	-	WZ-SZE2-2209-S10A-00-111-00-0-011	WZ-SZE2-2208-S10A-00-111-00-0-011	WZ-SZE2-2207-S10A-00-111-00-0-011
WZ-1951-09-02-011	WZ-1951-09-01-011	-	WZ-4950-23-03-011	WZ-4950-23-02-011	WZ-4950-23-01-011	-	WZ-4950-23-03-011	WZ-4950-23-02-011	WZ-4950-23-01-011
WZ-1951-07-06-011	WZ-1951-07-05-011	-	WZ-4950-24-07-011	WZ-4950-24-06-011	WZ-4950-24-05-011	-	WZ-4950-24-07-011	WZ-4950-24-06-011	WZ-4950-24-05-011
WZ-1951-27-08-011	WZ-1951-27-07-011	-	WZ-1951-27-13-011	WZ-1951-27-12-011	WZ-1951-27-11-011	-	WZ-1951-27-09-011	WZ-1951-27-08-011	WZ-1951-27-07-011
WZ-1951-28-08-011	WZ-1951-28-07-011	-	WZ-1951-28-13-011	WZ-1951-28-12-011	WZ-1951-28-11-011	-	WZ-1951-28-09-011	WZ-1951-28-08-011	WZ-1951-28-07-011
WZ-1951-71-08-011	WZ-1951-71-07-011	-	WZ-1951-71-13-011	WZ-1951-71-12-011	WZ-1951-71-11-011	-	WZ-1951-71-09-011	WZ-1951-71-08-011	WZ-1951-71-07-011
WZ-1951-74-08-011	WZ-1951-74-07-011	-	WZ-1951-74-13-011	WZ-1951-74-12-011	WZ-1951-74-11-011	-	WZ-1951-74-09-011	WZ-1951-74-08-011	WZ-1951-74-07-011
WZ-1951-47-01-000	WZ-1951-47-01-000	-	WZ-4950-30-00-000	WZ-4950-30-00-000	WZ-4950-30-00-000	-	WZ-4950-30-00-000	WZ-4950-30-00-000	WZ-4950-30-00-000
WZ-1951-29-01-011	WZ-1951-29-01-011	-	WZ-1951-29-08-011	WZ-1951-29-08-011	WZ-1951-29-08-011	-	WZ-4950-26-00-011	WZ-4950-26-00-011	WZ-4950-26-00-011
WZ-1951-20-01-011	WZ-1951-20-01-011	-	-	-	-	-	WZ-4950-27-00-011	WZ-4950-27-00-011	WZ-4950-27-00-011
WZ-1951-24-03-000	WZ-1951-24-03-000	-	WZ-1951-24-04-000	WZ-1951-24-04-000	WZ-1951-24-04-000	-	WZ-1951-24-03-000	WZ-1951-24-03-000	WZ-1951-24-03-000
WZ-1951-25-03-000	WZ-1951-25-03-000	-	WZ-1951-25-04-000	WZ-1951-25-04-000	WZ-1951-25-04-000	-	WZ-1951-25-03-000	WZ-1951-25-03-000	WZ-1951-25-03-000
WZ-1951-22-03-000	WZ-1951-22-03-000	-	WZ-1951-22-04-000	WZ-1951-22-04-000	WZ-1951-22-04-000	-	WZ-1951-22-03-000	WZ-1951-22-03-000	WZ-1951-22-03-000
WZ-1951-66-02-000	WZ-1951-66-01-000	-	WZ-1951-66-03-000	WZ-1951-66-02-000	WZ-1951-66-01-000	-	WZ-1951-66-03-000	WZ-1951-66-02-000	WZ-1951-66-01-000
WZ-1951-65-02-000	WZ-1951-65-01-000	-	WZ-1951-65-03-000	WZ-1951-65-02-000	WZ-1951-65-01-000	-	WZ-1951-65-03-000	WZ-1951-65-02-000	WZ-1951-65-01-000
WZ-1951-80-03-011	WZ-1951-80-03-011	-	WZ-1951-80-04-011	WZ-1951-80-04-011	WZ-1951-80-04-011	-	WZ-1951-80-03-011	WZ-1951-80-03-011	WZ-1951-80-03-011

SZE2 SYSTEM CABINETS



SZE2 cabinet 1200 mm wide, without side panels, intended for baying in rows

Side view
(comparison of flushed and external side panels)



Notes:
Dimensions of bottom and top plates are specified on pages 18-19.
Detailed drawings of the cabinet are given on pages 16-17.

REFERENCE CHART – cabinets with a width of 1000–1200 mm

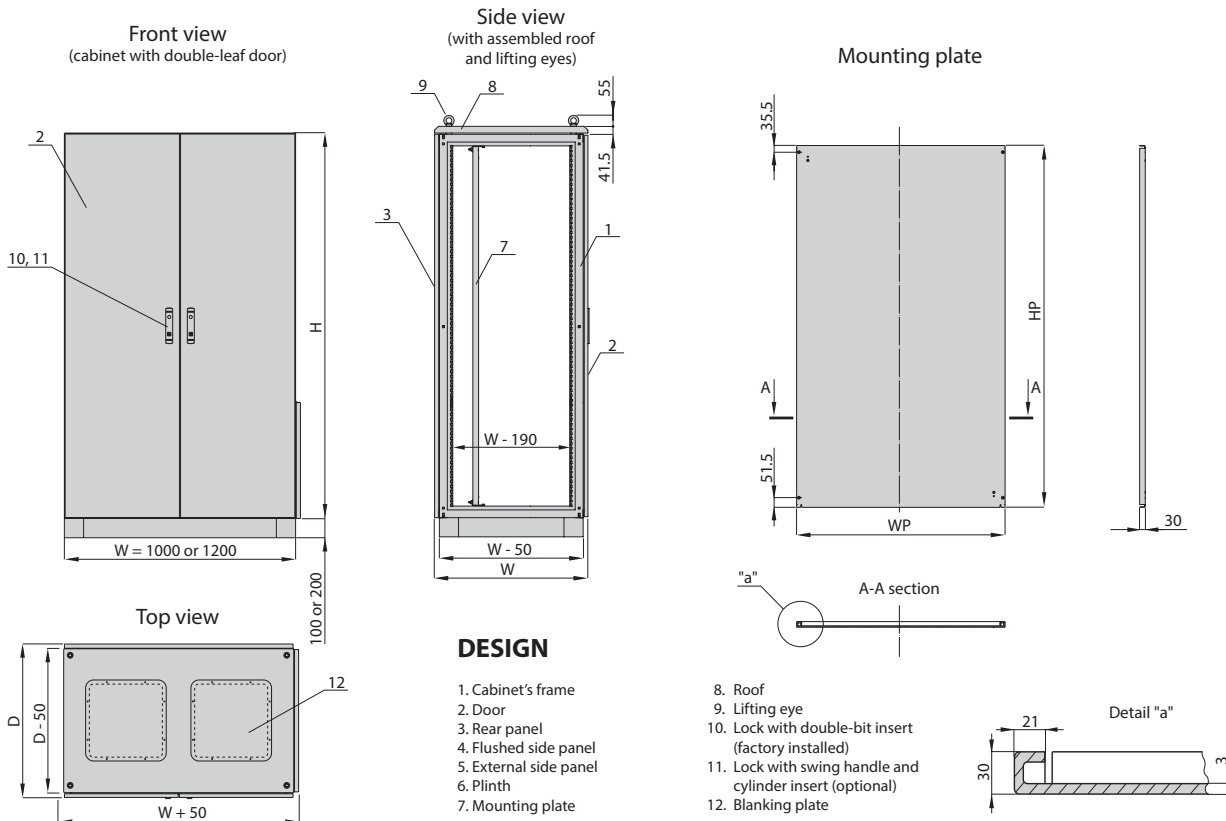
Dimensions of cabinet's frame [mm]	Height H	2000	2000	2000	2000	2000	2000
	Width W	1000	1000	1000	1000	1200	1200
	Depth D	400	500	600	800	400	500
Door's type	Number of wings	2	2	2	2	2	2
Dimensions of mounting plate [mm]	Height HP	1930	1930	1930	1930	1930	1930
	Width WP	912	912	912	912	1112	1112

	Page	Package	Catalogue numbers						
SZE2 cabinet*		1 pc.	–	WZ-SZE2-2006-S10A-00-111-00-0-011	WZ-SZE2-2005-S10A-00-111-00-0-011	WZ-SZE2-2004-S10A-00-111-00-0-011	–	WZ-SZE2-2003-S10A-00-111-00-0-011	
Supplementary accessories**	Flushed in side panels	27	2 pcs	–	WZ-1951-09-03-011	WZ-1951-09-02-011	WZ-1951-09-01-011	–	WZ-1951-09-03-011
	External side panels	27	2 pcs	–	WZ-1951-07-07-011	WZ-1951-07-06-011	WZ-1951-07-05-011	–	WZ-1951-07-07-011
	Roof for cabinet with flushed side panels	26	1 pc.	–	WZ-1951-27-06-011	WZ-1951-27-05-011	WZ-1951-27-04-011	–	WZ-1951-27-03-011
	Roof for cabinet with external side panels	26	1 pc.	–	WZ-1951-28-06-011	WZ-1951-28-05-011	WZ-1951-28-04-011	–	WZ-1951-28-03-011
	100 mm welded plinth	30	1 pc.	–	WZ-1951-71-06-011	WZ-1951-71-05-011	WZ-1951-71-04-011	–	WZ-1951-71-03-011
	200 mm welded plinth	30	1 pc.	–	WZ-1951-74-06-011	WZ-1951-74-05-011	WZ-1951-74-04-011	–	WZ-1951-74-03-011
	Mounting plates infill	48	1 pc.	–	WZ-1951-47-01-000	WZ-1951-47-01-000	WZ-1951-47-01-000	–	WZ-1951-47-01-000
	19" symmetrical swing frame	32	1 pc.	–	–	–	–	–	–
	19" asymmetrical swing frame	32	1 pc.	–	–	–	–	–	–
	Earthing bar set	42	1 pc.	–	WZ-1951-24-02-000	WZ-1951-24-02-000	WZ-1951-24-02-000	–	WZ-1951-24-01-000
	Shielding bar	42	1 pc.	–	WZ-1951-25-02-000	WZ-1951-25-02-000	WZ-1951-25-02-000	–	WZ-1951-25-01-000
	Cable bar	41	1 pc.	–	WZ-1951-22-02-000	WZ-1951-22-02-000	WZ-1951-22-02-000	–	WZ-1951-22-01-000
	Support for cable bar	40	1 pc.	–	WZ-1951-66-03-000	WZ-1951-66-02-000	WZ-1951-66-01-000	–	WZ-1951-66-03-000
	Transverse cable bar	40	1 pc.	–	WZ-1951-65-03-000	WZ-1951-65-02-000	WZ-1951-65-01-000	–	WZ-1951-65-03-000
Kit of system lighting	44	1 set	–	WZ-1951-80-02-011	WZ-1951-80-02-011	WZ-1951-80-02-011	–	WZ-1951-80-01-011	

*) SZE2 cabinet - basic configuration: cabinet's frame, front door with a lock that incl. double-bit insert (no handle), rear panel, mounting plate for the full height of the cabinet, blanking plates for cabinet's top plate, set of sliding gland plates for cabinet's bottom plate. Note: side panels, plinth, roof, lifting eyes and other supplementary accessories should be ordered separately.

**) Detailed list of supplementary accessories: see pages 23-55.

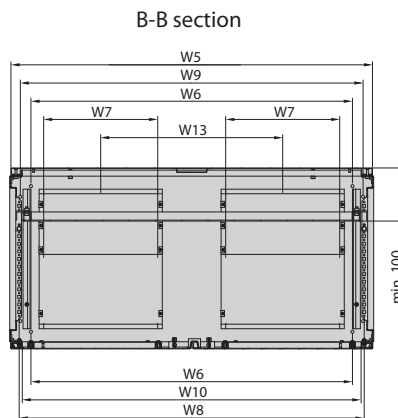
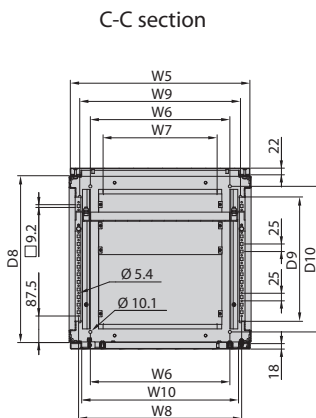
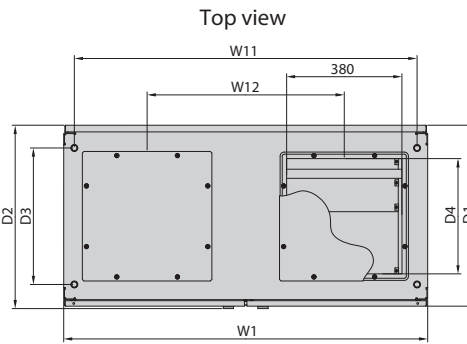
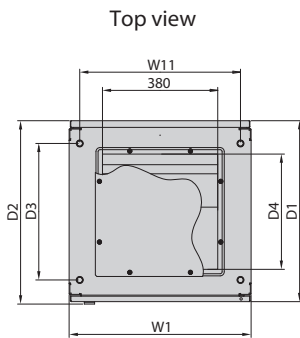
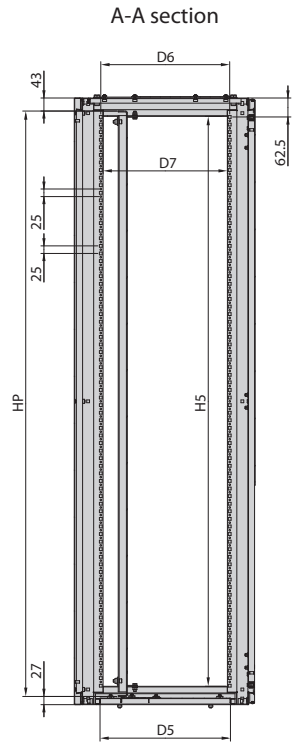
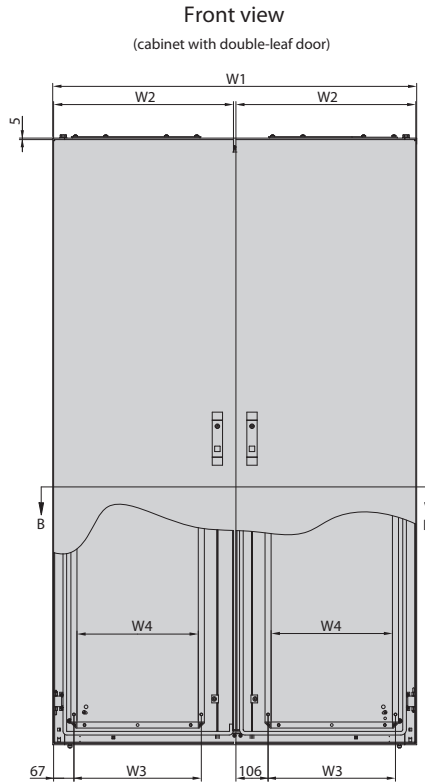
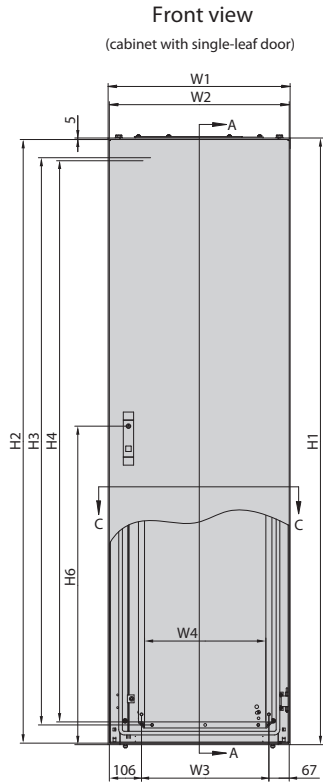
SYSTEM CABINETS **SZE2**



2000	2000	2200	2200	2200	2200	2200	2200	2200	2200
1200	1200	1000	1000	1000	1000	1200	1200	1200	1200
600	800	400	500	600	800	400	500	600	800
2	2	2	2	2	2	2	2	2	2
1930	1930	2130	2130	2130	2130	2130	2130	2130	2130
1112	1112	912	912	912	912	1112	1112	1112	1112

Catalogue numbers									
WZ-SZE2-2002-S10A-00-111-00-0-011	WZ-SZE2-2001-S10A-00-111-00-0-011	-	WZ-SZE2-2206-S10A-00-111-00-0-011	WZ-SZE2-2205-S10A-00-111-00-0-011	WZ-SZE2-2204-S10A-00-111-00-0-011	-	WZ-SZE2-2203-S10A-00-111-00-0-011	WZ-SZE2-2202-S10A-00-111-00-0-011	WZ-SZE2-2201-S10A-00-111-00-0-011
WZ-1951-09-02-011	WZ-1951-09-01-011	-	WZ-4950-23-03-011	WZ-4950-23-02-011	WZ-4950-23-01-011	-	WZ-4950-23-03-011	WZ-4950-23-02-011	WZ-4950-23-01-011
WZ-1951-07-06-011	WZ-1951-07-05-011	-	WZ-4950-24-07-011	WZ-4950-24-06-011	WZ-4950-24-05-011	-	WZ-4950-24-07-011	WZ-4950-24-06-011	WZ-4950-24-05-011
WZ-1951-27-02-011	WZ-1951-27-01-011	-	WZ-1951-27-06-011	WZ-1951-27-05-011	WZ-1951-27-04-011	-	WZ-1951-27-03-011	WZ-1951-27-02-011	WZ-1951-27-01-011
WZ-1951-28-02-011	WZ-1951-28-01-011	-	WZ-1951-28-06-011	WZ-1951-28-05-011	WZ-1951-28-04-011	-	WZ-1951-28-03-011	WZ-1951-28-02-011	WZ-1951-28-01-011
WZ-1951-71-02-011	WZ-1951-71-01-011	-	WZ-1951-71-06-011	WZ-1951-71-05-011	WZ-1951-71-04-011	-	WZ-1951-71-03-011	WZ-1951-71-02-011	WZ-1951-71-01-011
WZ-1951-74-02-011	WZ-1951-74-01-011	-	WZ-1951-74-06-011	WZ-1951-74-05-011	WZ-1951-74-04-011	-	WZ-1951-74-03-011	WZ-1951-74-02-011	WZ-1951-74-01-011
WZ-1951-47-01-000	WZ-1951-47-01-000	-	WZ-4950-30-00-000	WZ-4950-30-00-000	WZ-4950-30-00-000	-	WZ-4950-30-00-000	WZ-4950-30-00-000	WZ-4950-30-00-000
-	-	-	-	-	-	-	-	-	-
-	-	-	-	-	-	-	-	-	-
WZ-1951-24-01-000	WZ-1951-24-01-000	-	WZ-1951-24-02-000	WZ-1951-24-02-000	WZ-1951-24-02-000	-	WZ-1951-24-01-000	WZ-1951-24-01-000	WZ-1951-24-01-000
WZ-1951-25-01-000	WZ-1951-25-01-000	-	WZ-1951-25-02-000	WZ-1951-25-02-000	WZ-1951-25-02-000	-	WZ-1951-25-01-000	WZ-1951-25-01-000	WZ-1951-25-01-000
WZ-1951-22-01-000	WZ-1951-22-01-000	-	WZ-1951-22-02-000	WZ-1951-22-02-000	WZ-1951-22-02-000	-	WZ-1951-22-01-000	WZ-1951-22-01-000	WZ-1951-22-01-000
WZ-1951-66-02-000	WZ-1951-66-01-000	-	WZ-1951-66-03-000	WZ-1951-66-02-000	WZ-1951-66-01-000	-	WZ-1951-66-03-000	WZ-1951-66-02-000	WZ-1951-66-01-000
WZ-1951-65-02-000	WZ-1951-65-01-000	-	WZ-1951-65-03-000	WZ-1951-65-02-000	WZ-1951-65-01-000	-	WZ-1951-65-03-000	WZ-1951-65-02-000	WZ-1951-65-01-000
WZ-1951-80-01-011	WZ-1951-80-01-011	-	WZ-1951-80-02-011	WZ-1951-80-02-011	WZ-1951-80-02-011	-	WZ-1951-80-01-011	WZ-1951-80-01-011	WZ-1951-80-01-011

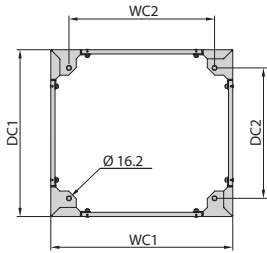
SZE2 SYSTEM CABINETS



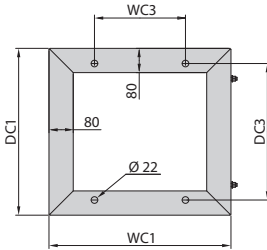
Cabinet's catalogue number	HEIGHT DIMENSIONS					
	H1	H2	H3	H4	H5	H6
WZ-SZE-2201-S10A-00-111-00-0-011	2200	2190	2070	2050	2079	1250
WZ-SZE-2202-S10A-00-111-00-0-011	2200	2190	2070	2050	2079	1250
WZ-SZE-2203-S10A-00-111-00-0-011	2200	2190	2070	2050	2079	1250
WZ-SZE-2204-S10A-00-111-00-0-011	2200	2190	2070	2050	2079	1250
WZ-SZE-2205-S10A-00-111-00-0-011	2200	2190	2070	2050	2079	1250
WZ-SZE-2206-S10A-00-111-00-0-011	2200	2190	2070	2050	2079	1250
WZ-SZE-2207-S10A-00-111-00-0-011	2200	2190	2070	2050	2079	1250
WZ-SZE-2208-S10A-00-111-00-0-011	2200	2190	2070	2050	2079	1250
WZ-SZE-2209-S10A-00-111-00-0-011	2200	2190	2070	2050	2079	1250
WZ-SZE-2210-S10A-00-111-00-0-011	2200	2190	2070	2050	2079	1250
WZ-SZE-2211-S10A-00-111-00-0-011	2200	2190	2070	2050	2079	1250
WZ-SZE-2212-S10A-00-111-00-0-011	2200	2190	2070	2050	2079	1250
WZ-SZE-2001-S10A-00-111-00-0-011	2000	1990	1870	1850	1879	1050
WZ-SZE-2002-S10A-00-111-00-0-011	2000	1990	1870	1850	1879	1050
WZ-SZE-2003-S10A-00-111-00-0-011	2000	1990	1870	1850	1879	1050
WZ-SZE-2004-S10A-00-111-00-0-011	2000	1990	1870	1850	1879	1050
WZ-SZE-2005-S10A-00-111-00-0-011	2000	1990	1870	1850	1879	1050
WZ-SZE-2006-S10A-00-111-00-0-011	2000	1990	1870	1850	1879	1050
WZ-SZE-2007-S10A-00-111-00-0-011	2000	1990	1870	1850	1879	1050
WZ-SZE-2008-S10A-00-111-00-0-011	2000	1990	1870	1850	1879	1050
WZ-SZE-2009-S10A-00-111-00-0-011	2000	1990	1870	1850	1879	1050
WZ-SZE-2049-S10A-00-111-00-0-011	2000	1990	1870	1850	1879	1050
WZ-SZE-2010-S10A-00-111-00-0-011	2000	1990	1870	1850	1879	1050
WZ-SZE-2011-S10A-00-111-00-0-011	2000	1990	1870	1850	1879	1050
WZ-SZE-2012-S10A-00-111-00-0-011	2000	1990	1870	1850	1879	1050
WZ-SZE-2050-S10A-00-111-00-0-011	2000	1990	1870	1850	1879	1050

SYSTEM CABINETS SZE2

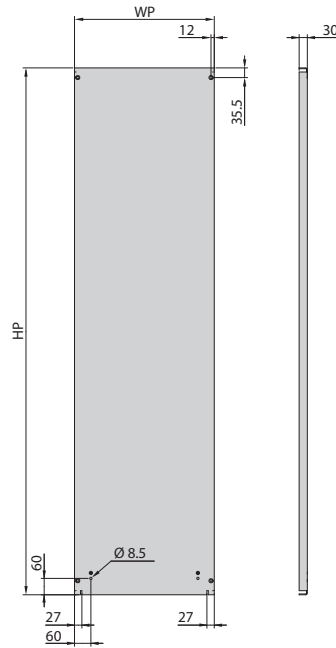
Modular plinth
(openings for floor fastening)



Welded plinth
(openings for floor fastening)



Mounting plate

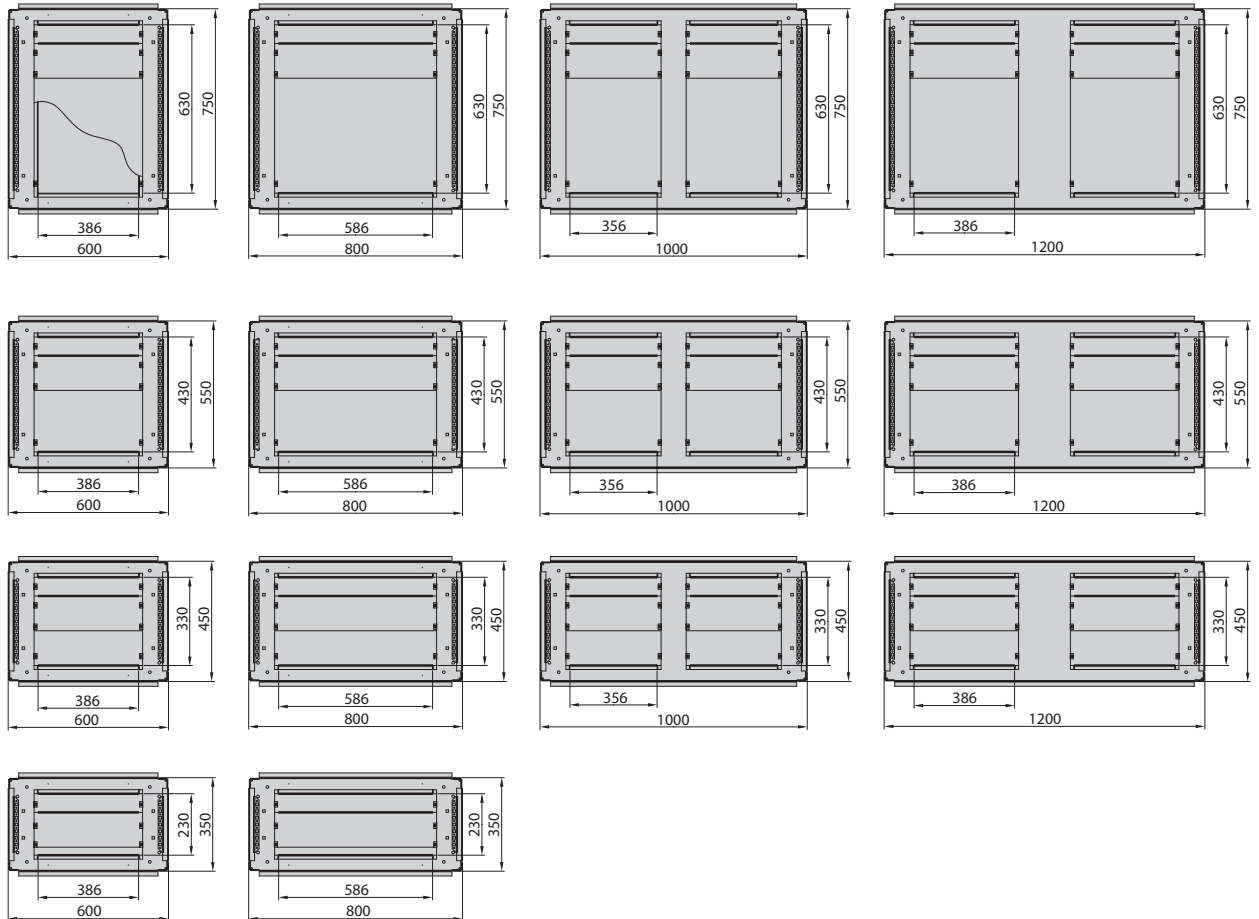


Note:
After mounting of external side panels the cabinet expands by 25 mm on each side.
An additional distance of 3 mm (gasket gauge) should be considered between bayed cabinets.

WIDTH DIMENSIONS													DEPTH DIMENSIONS										MOUNTING PLATE		PLINTH					
W1	W2	W3	W4	W5	W6	W7	W8	W9	W10	W11	W12	W13	D1	D2	D3	D4	D5	D6	D7	D8	D9	D10	HP	WP	WC1	WC2	WC3	DC1	DC2	DC3
1200	593	420	400	1192	1060	386	1137,6	1130	1117	1130	650	600	800	808	650	380	630	625	610	750	610	680	1930	1112	1200	1080	900	750	630	650
1200	593	420	400	1192	1060	386	1137,6	1130	1117	1130	650	600	600	608	450	380	430	425	410	550	410	480	1930	1112	1200	1080	900	550	430	450
1200	593	420	400	1192	1060	386	1137,6	1130	1117	1130	550	600	500	508	350	380	330	325	310	450	310	380	1930	1112	1200	1080	900	450	330	350
1000	493	320	300	992	860	356	937,6	930	917	930	—	450	800	808	650	380	630	625	610	750	610	680	1930	912	1000	880	700	750	630	650
1000	493	320	300	992	860	356	937,6	930	917	930	—	450	600	608	450	380	430	425	410	550	410	480	1930	912	1000	880	700	550	430	450
1000	493	320	300	992	860	356	937,6	930	917	930	—	450	500	508	350	380	330	325	310	450	310	380	1930	912	1000	880	700	450	330	350
800	793	620	600	792	660	586	737,6	730	717	730	—	—	800	808	650	380	630	625	610	750	610	680	1930	712	800	680	500	750	630	650
800	793	620	600	792	660	586	737,6	730	717	730	—	—	600	608	450	380	430	425	410	550	410	480	1930	712	800	680	500	550	430	450
800	793	620	600	792	660	586	737,6	730	717	730	—	—	500	508	350	380	330	325	310	450	310	380	1930	712	800	680	500	450	330	350
600	593	420	400	592	460	386	537,6	530	517	530	—	—	800	808	650	380	630	625	610	750	610	680	1930	512	600	480	300	750	630	650
600	593	420	400	592	460	386	537,6	530	517	530	—	—	600	608	450	380	430	425	410	550	410	480	1930	512	600	480	300	550	430	450
600	593	420	400	592	460	386	537,6	530	517	530	—	—	500	508	350	380	330	325	310	450	310	380	1930	512	600	480	300	450	330	350
1200	593	420	400	1192	1060	386	1137,6	1130	1117	1130	650	600	800	808	650	380	630	625	610	750	610	680	1930	1112	1200	1080	900	750	630	650
1200	593	420	400	1192	1060	386	1137,6	1130	1117	1130	650	600	600	608	450	380	430	425	410	550	410	480	1930	1112	1200	1080	900	550	430	450
1200	593	420	400	1192	1060	386	1137,6	1130	1117	1130	550	600	500	508	350	380	330	325	310	450	310	380	1930	1112	1200	1080	900	450	330	350
1000	493	320	300	992	860	356	937,6	930	917	930	—	450	800	808	650	380	630	625	610	750	610	680	1930	912	1000	880	700	750	630	650
1000	493	320	300	992	860	356	937,6	930	917	930	—	450	600	608	450	380	430	425	410	550	410	480	1930	912	1000	880	700	550	430	450
1000	493	320	300	992	860	356	937,6	930	917	930	—	450	500	508	350	380	330	325	310	450	310	380	1930	912	1000	880	700	450	330	350
800	793	620	600	792	660	586	737,6	730	717	730	—	—	800	808	650	380	630	625	610	750	610	680	1930	712	800	680	500	750	630	650
800	793	620	600	792	660	586	737,6	730	717	730	—	—	600	608	450	380	430	425	410	550	410	480	1930	712	800	680	500	550	430	450
800	793	620	600	792	660	586	737,6	730	717	730	—	—	500	508	350	380	330	325	310	450	310	380	1930	712	800	680	500	450	330	350
800	793	620	600	792	660	586	737,6	730	717	730	—	—	400	408	250	210	230	225	210	350	210	280	1930	712	800	680	500	350	230	250
600	593	420	400	592	460	386	537,6	530	517	530	—	—	800	808	650	380	630	625	610	750	610	680	1930	512	600	480	300	750	630	650
600	593	420	400	592	460	386	537,6	530	517	530	—	—	600	608	450	380	430	425	410	550	410	480	1930	512	600	480	300	550	430	450
600	593	420	400	592	460	386	537,6	530	517	530	—	—	500	508	350	380	330	325	310	450	310	380	1930	512	600	480	300	450	330	350
600	593	420	400	592	460	386	537,6	530	517	530	—	—	400	408	250	210	230	225	210	350	210	280	1930	512	600	480	300	350	230	250

SZE2 SYSTEM CABINETS

BOTTOM PLATE TYPES

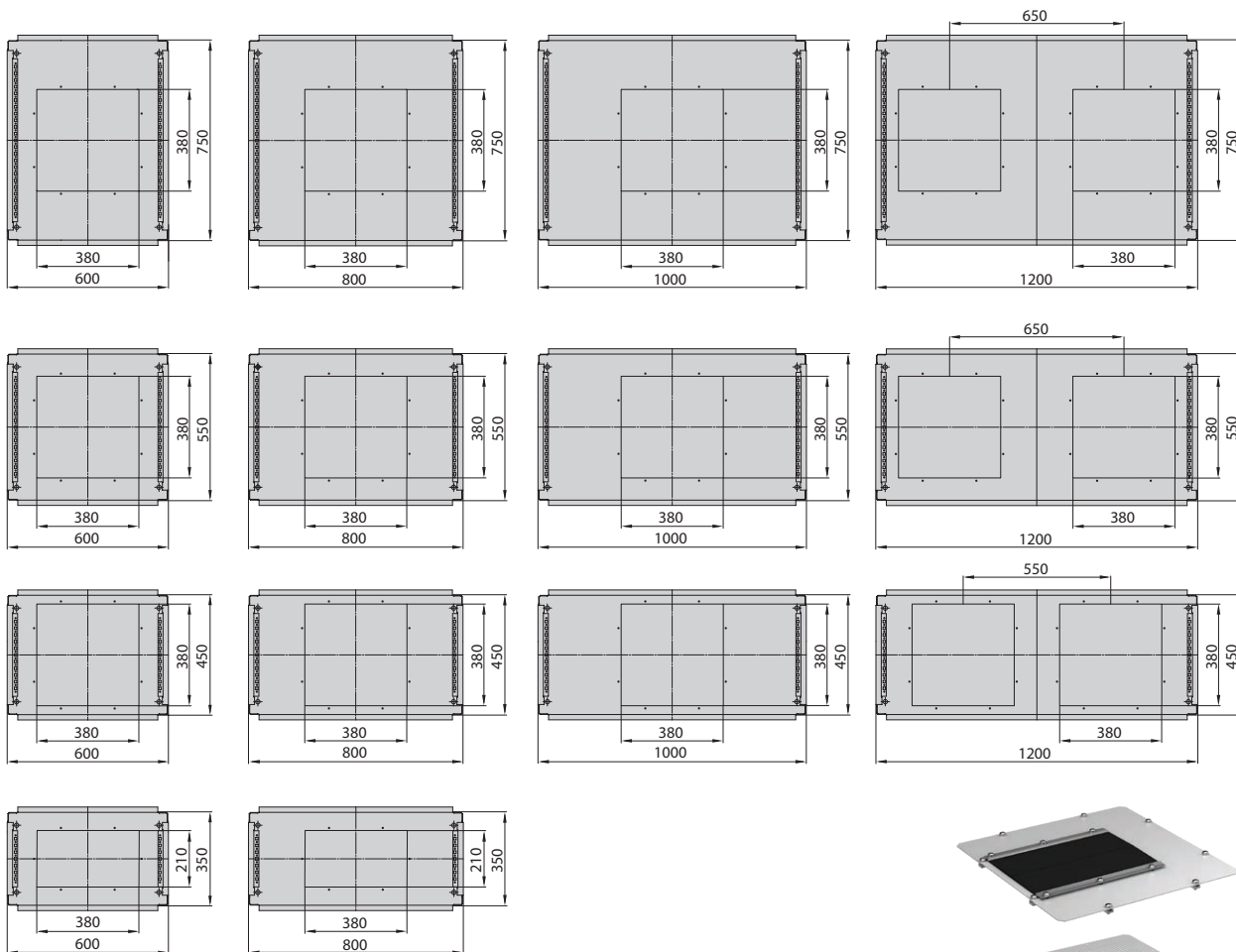


Note:
Standard openings in bottom plates are blinded with sliding gland plates. Optional types of gland plates - see page 46-47

Note:
On request there is a possibility to make a different type of gland plates and changes in design of the bottom plate.

SYSTEM CABINETS SZE2

TOP PLATE TYPES



Note:

Standard openings in top plates are blinded with solid blanking plates with sealing gaskets. Optional types of blanking and cable entry plates – see page 45

Blanking and cable entry plates for the cabinet's top plate – see page 47

DESIGN	SZE2 system cabinets INDUSTRIAL ENCLOSURES
--------	---

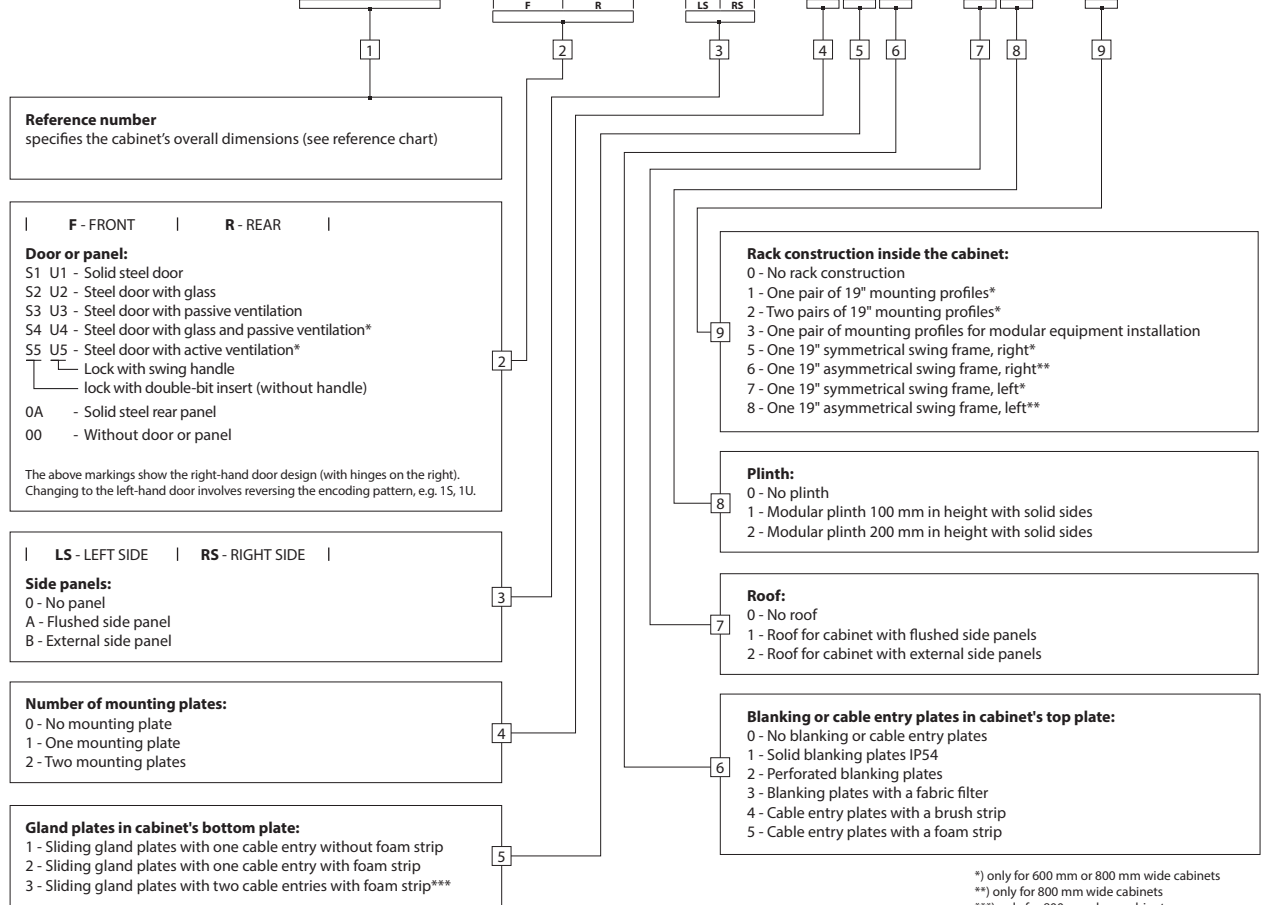
SZE2 SYSTEM CABINETS

REFERENCE CHART

	Total width of the cabinet [mm]		Total depth of the cabinet [mm]	Height of the cabinet without plinth [mm]	
	with flushed side panels	with external side panels		2000	2200
Cabinets with single-leaf door	600	650	400	2050	-
			500	2012	2212
			600	2011	2211
			800	2010	2210
	800	850	400	2049	-
			500	2009	2209
			600	2008	2208
			800	2007	2207
Cabinets with double-leaf door	1000	1050	500	2006	2206
			600	2005	2205
			800	2004	2204
			500	2003	2203
	1200	1250	600	2002	2202
			800	2001	2201

CATALOGUE NUMBER OF CONFIGURED SZE2 CABINET

WZ-SZE2 - XXXX - XXXX - XX - XXX - XX - X - 011

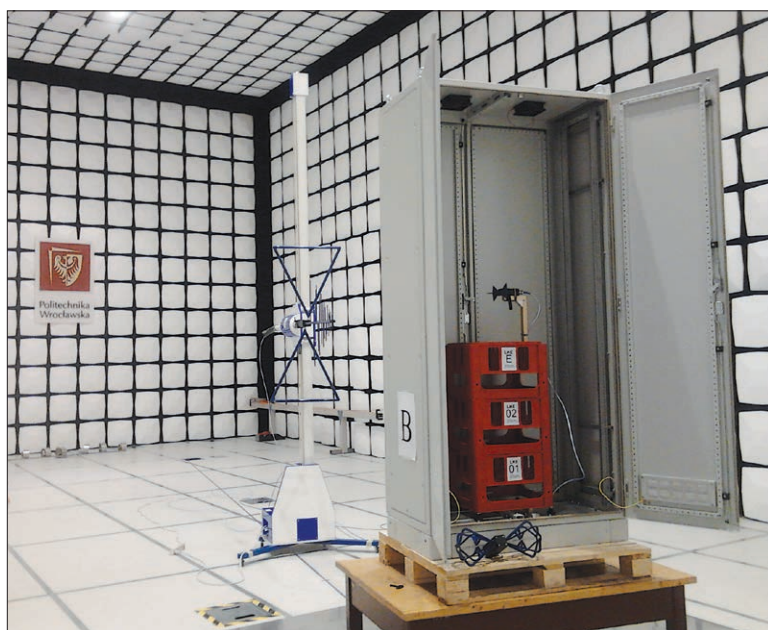


*) only for 600 mm or 800 mm wide cabinets
 **) only for 800 mm wide cabinets
 ***) only for 800 mm deep cabinets

SAMPLE CUSTOMISED CABINETS



SZE2 cabinet conforming to EMC requirements



Electromagnetic compatibility tests
in Wrocław University of Technology
(Politechnika Wroclawska)

SAMPLE CUSTOMISED CABINETS



1200 mm wide SZE2 cabinet with mounting plate, swing frame and asymmetrical double-leaf door



Stainless steel cabinet with a rain roof



Set of SZE2 cabinets for the machine control system



SZE2 cabinet with air conditioner and 19" mounting profiles, height 24U