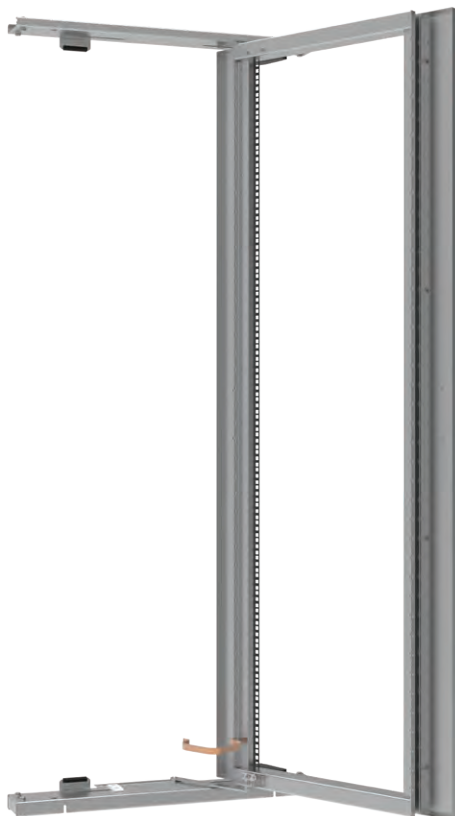
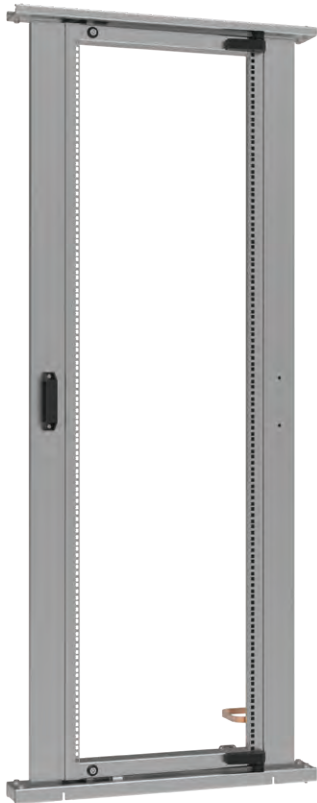


ACCESSORIES FOR SZE3 CABINETS

19" SWING FRAME



**19" swing frame**

Intended for cabinets 800 mm wide.  
 Equipped with door-stop.  
 Two locks with double-bit insert.  
 Possibility of left- or right-side assembly by 180° rotation.  
 Maximum opening angle: 120°  
 Load capacity: 150 kg

**Material**

Galvanized steel sheet and profiles

**Scope of delivery**

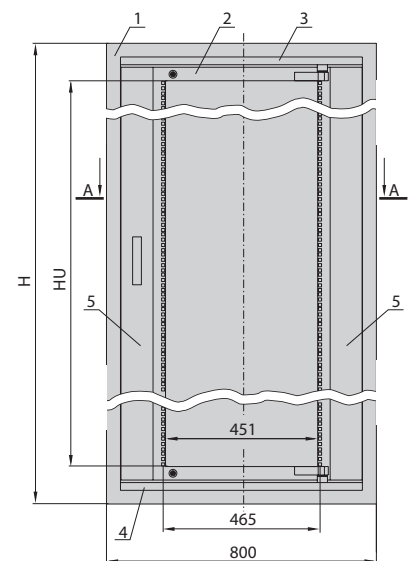
Swing frame with fixing accessories for mounting to the cabinet.

For cabinet height H [mm]	Usable height of the frame HU [U = 44.45 mm]	Maximum depth for installations D <sub>max</sub> [mm]	Catalogue number
2000	40 U	350	WZ-6282-63-02-C08
2200	44 U	350	WZ-6282-63-01-C08

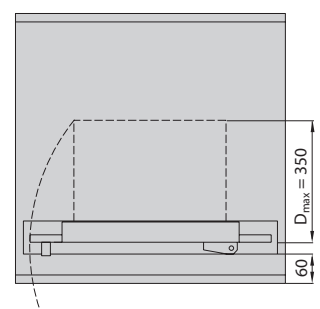
Package: 1 pc.

SZE3 cabinet with swing frame

Front view without door



A-A section



**DESIGN**

- 1. Cabinet frame
- 2. 19" swing frame
- 3. Top supporting bar
- 4. Bottom supporting bar
- 5. Masking panel