

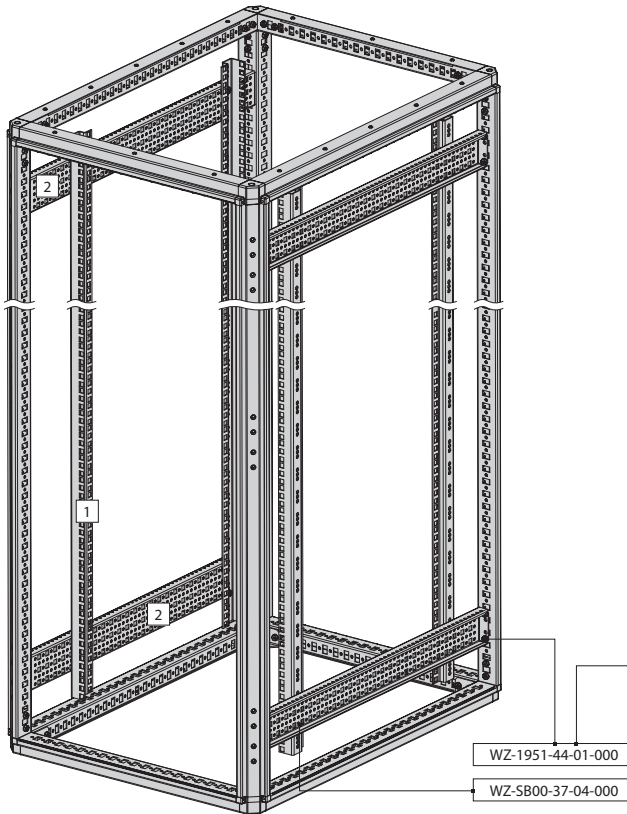
ACCESSORIES FOR SZE3 CABINETS

19" MOUNTING PROFILES SYSTEM

19" rack construction methods

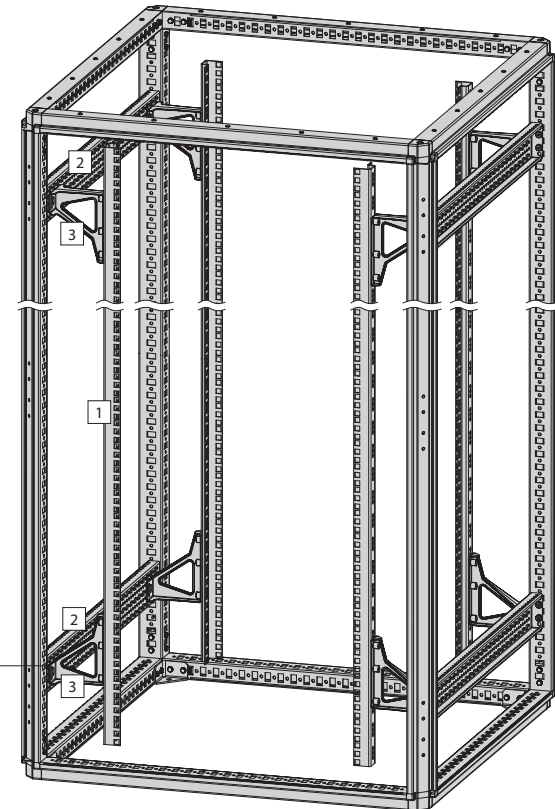
19" rack in a cabinet with a width of 600 mm

- 1. 19" mounting profile (page 85)
- 2. Mounting bar type C

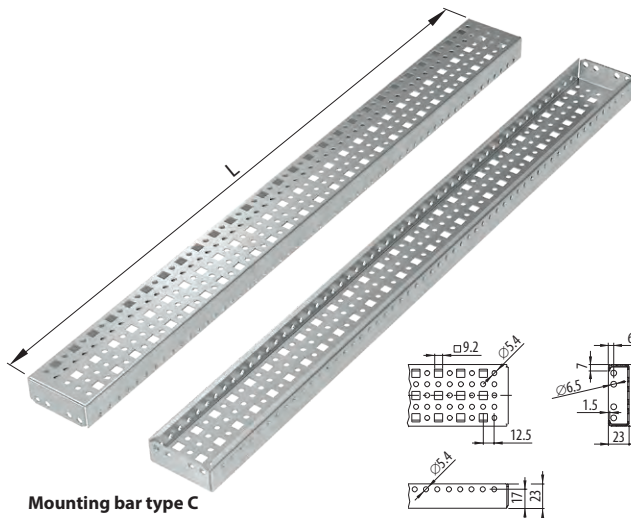


19" rack in a cabinet with a width of 800 mm

- 1. 19" mounting profile (page 85)
- 2. Mounting bar type C
- 3. Outrigger (page 85)



**Used fixing accessories:** WZ-1951-44-01-000 - M6x16 self-forming screws (see page 86);  
 WZ-SB00-37-04-000 - fixing accessories for mounting profiles (see page 57)



Mounting bar type C

**Mounting bar type C**

For fixing 19" mounting profiles to SZE3 cabinet frame.

**Material**

Al-Zn coated sheet steel

**Scope of delivery**

Mounting bar C without fixing accessories.

| For cabinet width or depth [mm] | Length of mounting bar C L [mm] | Catalogue number  |
|---------------------------------|---------------------------------|-------------------|
| 400                             | 306                             | WZ-6282-43-06-000 |
| 500                             | 406                             | WZ-6282-43-05-000 |
| 600                             | 506                             | WZ-6282-43-04-000 |
| 800                             | 706                             | WZ-6282-43-03-000 |
| 1000                            | 906                             | WZ-6282-43-02-000 |
| 1200                            | 1106                            | WZ-6282-43-01-000 |

Package: 1 pc.

ACCESSORIES FOR SIZE3 CABINETS

19" MOUNTING PROFILES SYSTEM

**19" mounting profile**

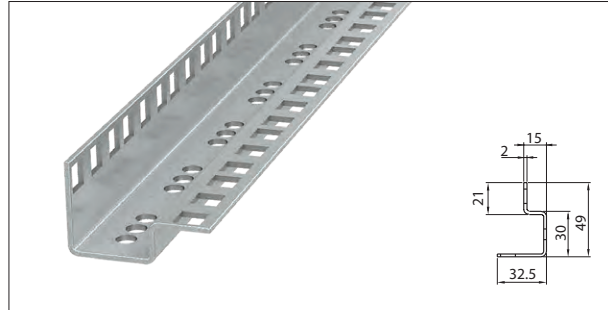
Used for installing 19" equipment in cabinets 600 or 800 mm wide. They are fixed to the cabinet's frame by using mounting bars type C; in order to achieve the 19" spacing in cabinets 800 mm wide it is necessary to use outriggers.

**Material**

Al-Zn coated sheet steel

**Scope of delivery**

Mounting profile without fixing accessories.



| Length of mounting profile |                | Catalogue number  |
|----------------------------|----------------|-------------------|
| [mm]                       | [U = 44.45 mm] |                   |
| 1067                       | 24 U           | WZ-1718-97-08-000 |
| 1200                       | 27 U           | WZ-1718-97-16-000 |
| 1245                       | 28 U           | WZ-1718-97-07-000 |
| 1334                       | 30 U           | WZ-1718-97-15-000 |
| 1422                       | 32 U           | WZ-1718-97-06-000 |
| 1467                       | 33 U           | WZ-1718-97-14-000 |

| Length of mounting profile |                | Catalogue number  |
|----------------------------|----------------|-------------------|
| [mm]                       | [U = 44.45 mm] |                   |
| 1600                       | 36 U           | WZ-1718-97-05-000 |
| 1689                       | 38 U           | WZ-1718-97-04-000 |
| 1734                       | 39 U           | WZ-1718-97-13-000 |
| 1778                       | 40 U           | WZ-1718-97-03-000 |
| 1867                       | 42 U           | WZ-1718-97-02-000 |
| 2089                       | 47 U           | WZ-1718-97-20-000 |

Package: 1 pc.

**Outrigger**

For fixing mounting profile in SZE3 cabinet 800 mm wide.

**Material**

Zamak casting

**Scope of delivery**

1 outrigger with fixing accessories for fastening to mounting profile and mounting bar type C.

| Package | Catalogue number  |
|---------|-------------------|
| 1 pc.   | WZ-5205-90-00-C12 |



**19" transverse bar**

For installing devices on 19" mounting profiles or 19" swing frame.

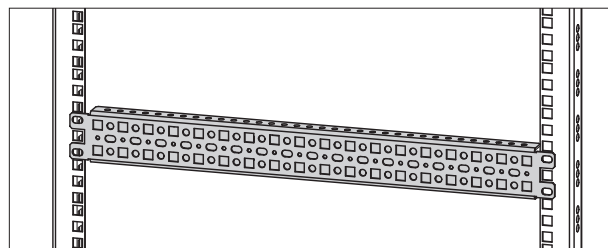
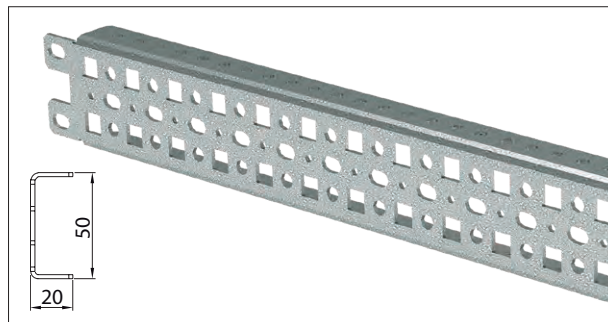
**Material**

Al-Zn coated sheet steel

**Scope of delivery**

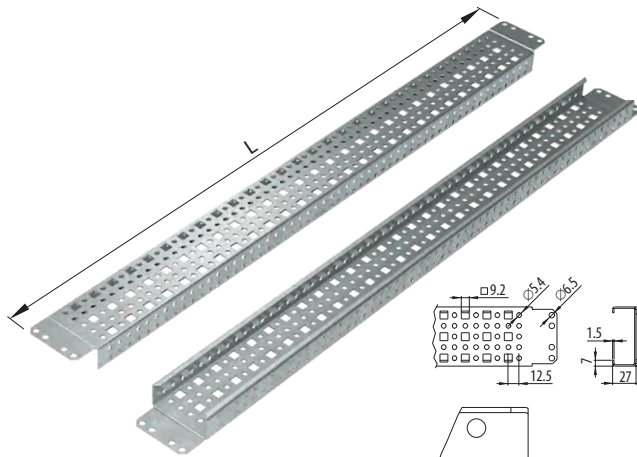
19" transverse bar without fixing accessories (fixing accessories should be ordered separately - cat. no WZ-1951-44-02-000, see page 86).

| Package | Catalogue number  |
|---------|-------------------|
| 1 pc.   | WZ-6414-05-00-000 |

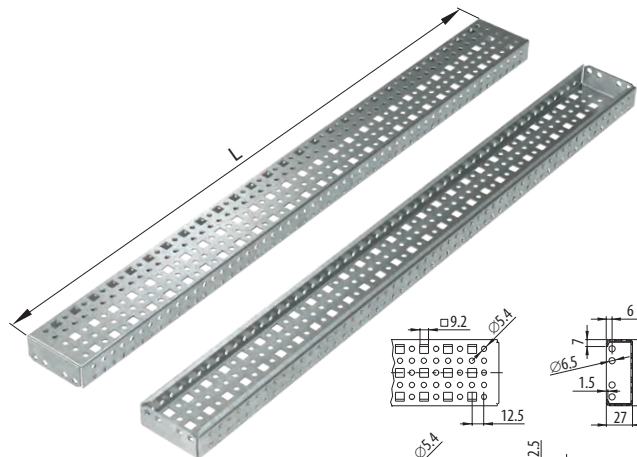
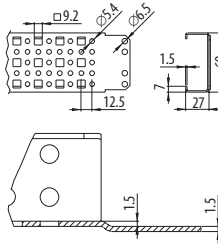


ACCESSORIES FOR SZE3 CABINETS

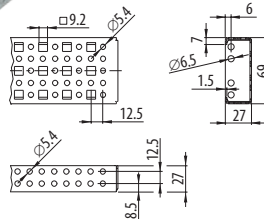
MOUNTING BARS SYSTEM



Mounting bar A



Mounting bar B



Mounting bars type A and B

For building racks inside the cabinet.  
Available in two types that differ in fastening method.

Material

Al-Zn coated sheet steel

Scope of delivery

Mounting bar without fixing accessories.

| Type of mounting bar | For cabinet width or height* [mm] | Total length of mounting bar L [mm] | Catalogue number  |
|----------------------|-----------------------------------|-------------------------------------|-------------------|
| A                    | -                                 | 262                                 | WZ-6282-40-10-000 |
|                      | 400                               | 362                                 | WZ-6282-40-09-000 |
|                      | 500                               | 462                                 | WZ-6282-40-08-000 |
|                      | 600                               | 562                                 | WZ-6282-40-07-000 |
|                      | -                                 | 662                                 | WZ-6282-40-06-000 |
|                      | 800                               | 762                                 | WZ-6282-40-05-000 |
|                      | -                                 | 862                                 | WZ-6282-40-04-000 |
|                      | 1000                              | 962                                 | WZ-6282-40-03-000 |
|                      | -                                 | 1062                                | WZ-6282-40-02-000 |
| B                    | 1200                              | 1162                                | WZ-6282-40-01-000 |
|                      | -                                 | 206                                 | WZ-6282-42-10-000 |
|                      | 400                               | 306                                 | WZ-6282-42-09-000 |
|                      | 500                               | 406                                 | WZ-6282-42-08-000 |
|                      | 600                               | 506                                 | WZ-6282-42-07-000 |
|                      | -                                 | 606                                 | WZ-6282-42-06-000 |
|                      | 800                               | 706                                 | WZ-6282-42-05-000 |
|                      | -                                 | 806                                 | WZ-6282-42-04-000 |
|                      | 1000                              | 906                                 | WZ-6282-42-03-000 |
|                      | -                                 | 1006                                | WZ-6282-42-02-000 |
|                      | 1200                              | 1106                                | WZ-6282-42-01-000 |

Package: 1 pc.

\*) For horizontal fixing between the posts of the cabinet's frame



Self forming screws M6x16



Cage nuts M8 with wings



Cage nut M6, screw M6x16, washer 6.4

Fixing accessories

Self forming screws M6x16 – for fastening mounting profiles to the cabinet's frame and for interconnecting mounting profiles.

Cage nuts M8 with wings – for fastening devices to the cabinet's frame.

Cage nuts M6 with screws and washers – for fastening cable bar to the cable bar bracket on the cabinet's plinth or for fastening 19" transverse bar to the 19" mounting profiles.

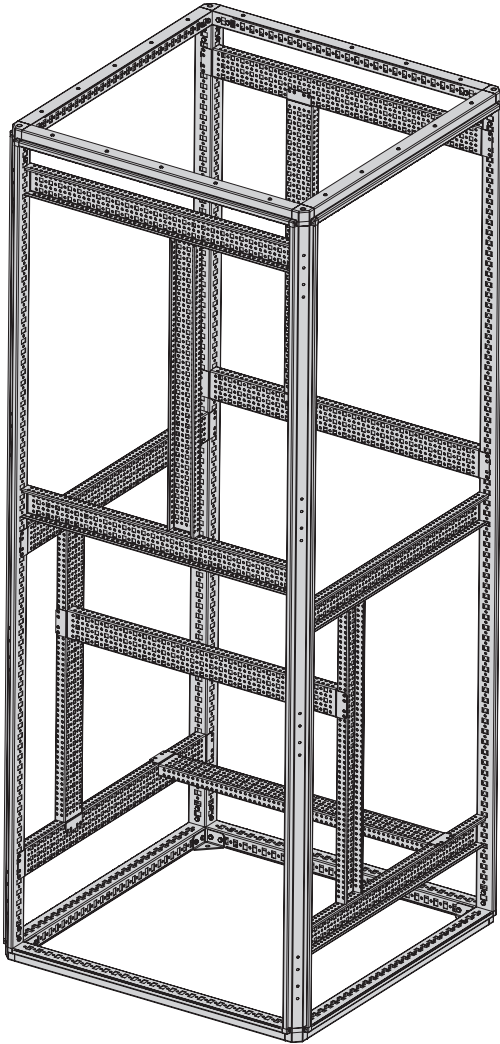
Scope of delivery

Sold in sets.

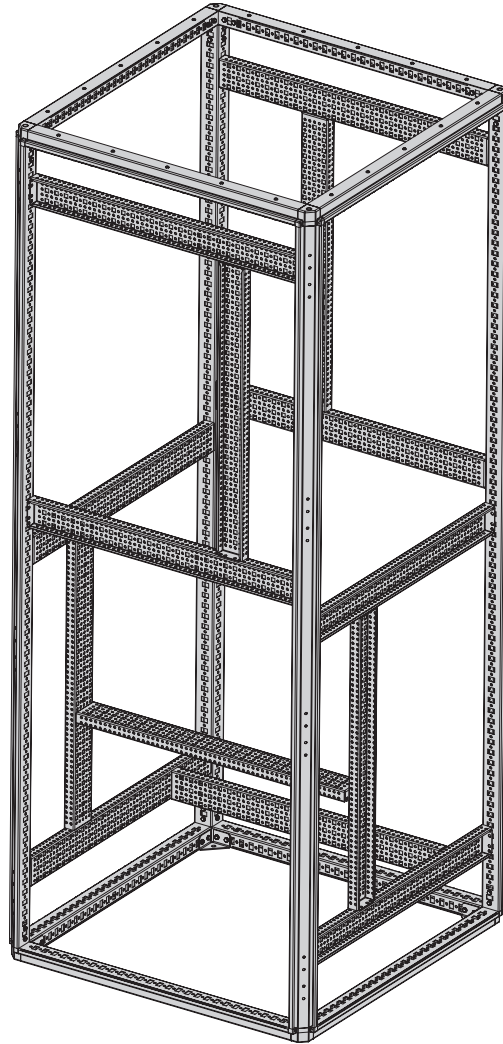
| Description                              | Package | Catalogue number   |
|--|---------|--------------------|
| Self forming screw M6x16                 | 20 pcs  | WZ-1951-44-01-000  |
| Cage nut M8 with wings                   | 10 pcs  | WZ-M1F-03-0165-000 |
| Cage nut M6<br>Screw M6x16<br>Washer 6.4 | 20 pcs  | WZ-1951-44-02-000  |

ACCESSORIES FOR SZE3 CABINETS

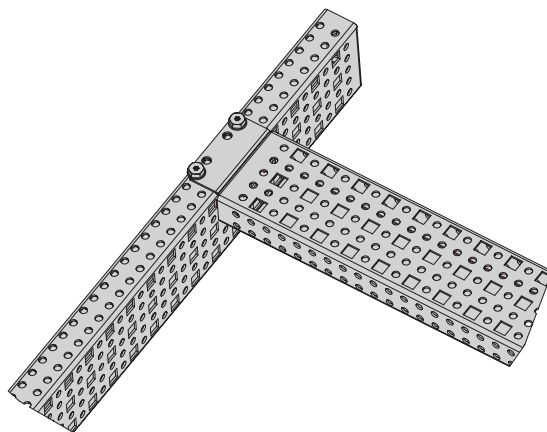
MOUNTING BARS SYSTEM



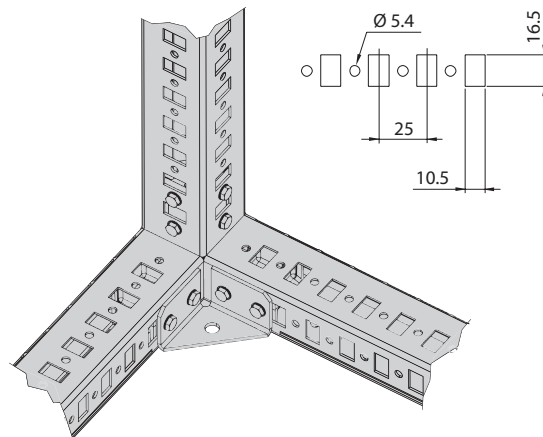
Example of built rack from mounting bars type A



Example of built rack from mounting bars type B



Example of connecting profile types A and B with M6 self-tapping screws



Perforation in SZE3 cabinet's frame:

- 10.5 x 16.5 mm holes for M8 cage nuts with wings,
- Ø 5.4 mm holes for M6 self-tapping screws