

ACCESSORIES FOR SZE2 CABINETS

DOORS



Single-leaf door with glass



Lock with double-bit insert (factory installed)

Doors

Intended for use instead of front solid door or rear panel.
Maximum door opening angle: 120°

Material

Sheet steel textured powder paint, light grey (RAL 7035), stiffened profiles, brown smoked safety glass

Scope of delivery

Complete wing of door with hinges and lock that includes double-bit insert (no handle).

SINGLE-LEAF DOOR

For cabinet		Door dimensions		Catalogue number					
height [mm]	width [mm]	H [mm]	W [mm]	Solid door IP 54	Door with glass IP 54	Door with passive ventilation IP 54		Door with glass and passive ventilation IP 54	
				right/left	right/left	right	left	right	left
2000	600	1990	593	WZ-1951-10-02-011	WZ-1951-17-02-011	WZ-1951-40-02-011	WZ-1951-40-10-011	WZ-1951-36-02-011	WZ-1951-36-10-011
	800	1990	793	WZ-1951-10-01-011	WZ-1951-17-01-011	WZ-1951-40-01-011	WZ-1951-40-09-011	WZ-1951-36-01-011	WZ-1951-36-09-011
2200	600	1990	593	WZ-4950-03-02-011	WZ-4950-05-02-011	WZ-4950-16-02-011	WZ-4950-16-04-011	WZ-4950-18-02-011	WZ-4950-18-04-011
	800	1990	793	WZ-4950-03-01-011	WZ-4950-05-01-011	WZ-4950-16-01-011	WZ-4950-16-03-011	WZ-4950-18-01-011	WZ-4950-18-03-011

Package: 1 pc.



ACCESSORIES FOR SIZE2 CABINETS

DOORS

DOUBLE-LEAF DOOR

For cabinet		Door dimensions			Catalogue number					
height [mm]	width [mm]	H [mm]	WR [mm]	WL [mm]	Solid door IP 54		Door with glass IP 54		Door with passive ventilation IP 54	
					right* wing	left* wing	right* wing	left* wing	right* wing	left* wing
2000	1000	1990	493	519,5	WZ-1951-15-02-011	WZ-1951-13-02-011	WZ-1951-52-02-011	WZ-1951-54-02-011	WZ-1951-59-02-011	WZ-1951-57-02-011
	1200	1990	593	619,5	WZ-1951-15-01-011	WZ-1951-13-01-011	WZ-1951-52-01-011	WZ-1951-54-01-011	WZ-1951-59-01-011	WZ-1951-57-01-011
2200	1000	1990	493	519,5	WZ-4950-10-02-011	WZ-4950-08-02-011	WZ-4950-14-02-011	WZ-4950-12-02-011	WZ-4950-22-02-011	WZ-4950-20-02-011
	1200	1990	593	619,5	WZ-1951-15-01-011	WZ-1951-13-01-011	WZ-1951-52-01-011	WZ-1951-54-01-011	WZ-1951-59-01-011	WZ-1951-57-01-011

Package: 1 pc. (wing)

*) when facing the structure



Door stop

Protects hinges from damage.
Fixed into the door's frame and cabinet's frame.
In the case of self-assembly, it is necessary to punch two 6 mm holes in indicated positions.

Material

Galvanised sheet steel

Scope of delivery

Door stop with fixing accessories for mounting into the cabinet.



Package	Catalogue number
1 pc.	WZ-1951-32-00-000

ACCESSORIES FOR SZE2 CABINETS

DOORS • ROOF AND SIDE PANELS

**Swing handle with cylinder insert for the door's lock**

For applying in the cabinet instead of the standard pattern that includes double-bit insert.

Material of the body

Plastic

Scope of delivery

Swing handle and cylinder are to be ordered separately.

Product name	Package	Catalogue number
Swing handle without cylinder insert	1 pc.	M1H-01-0024
Cylinder insert for swing handle + 1 key	1 set	M1H-02-0028



1 - flushed side panel



2 - external side panel

Side panels

Available in two options:

- 1) flushed side panels - do not affect overall dimensions of the cabinet, also used as partition if cabinets are bayed.
- 2) external side panels - expanding the cabinet by 25 mm on each side.

All side panels are equipped with PU sealing gasket and stud-bolts for earthing cables.

Material

Sheet steel powder painted in RAL 7035

Scope of delivery

2 side panels (flushed or external) with fixing accessories for mounting into the cabinet.

For cabinet		Catalogue number	
height [mm]	depth [mm]	Flushed side panels	External side panels
2000	400	WZ-1951-09-13-011	WZ-1951-07-29-011
	500	WZ-1951-09-03-011	WZ-1951-07-07-011
	600	WZ-1951-09-02-011	WZ-1951-07-06-011
	800	WZ-1951-09-01-011	WZ-1951-07-05-011
2200	500	WZ-4950-23-03-011	WZ-4950-24-07-011
	600	WZ-4950-23-02-011	WZ-4950-24-06-011
	800	WZ-4950-65-01-011	WZ-4950-24-05-011

Package: 2 pc.

Note:

Possibility to equip side panels with snapped filter fans and exhaust filter - see page 54.



ACCESSORIES FOR SIZE2 CABINETS

ROOF AND SIDE PANELS

Solid roof

- Each cabinet can be equipped with a solid roof in two widths:
- 1) roof for cabinet with flushed side panels (roof's width in accordance with cabinet's frame width).
 - 2) roof for cabinet with external side panels (the roof's width expanded by 50 mm in comparison with the cabinet's frame).

Roof extends the overall height of the cabinet by 41.5 mm. There is 5 mm gap under installed roof.

Material

Sheet steel powder painted in RAL 7035

Scope of delivery

Roof with 4 fixing/spacer bolts for mounting. (Assembly screws M12 are delivered with the cabinet.)



For cabinet		Catalogue number	
width [mm]	depth [mm]	Roof for cabinet with flushed side panel	Roof for cabinet with external side panels
600	400	WZ-1951-27-14-011	WZ-1951-28-14-011
	500	WZ-1951-27-13-011	WZ-1951-28-13-011
	600	WZ-1951-27-12-011	WZ-1951-28-12-011
	800	WZ-1951-27-11-011	WZ-1951-28-11-011
800	400	WZ-1951-27-10-011	WZ-1951-28-10-011
	500	WZ-1951-27-09-011	WZ-1951-28-09-011
	600	WZ-1951-27-08-011	WZ-1951-28-08-011
	800	WZ-1951-27-07-011	WZ-1951-28-07-011
1000	500	WZ-1951-27-06-011	WZ-1951-28-06-011
	600	WZ-1951-27-05-011	WZ-1951-28-05-011
	800	WZ-1951-27-04-011	WZ-1951-28-04-011
1200	500	WZ-1951-27-03-011	WZ-1951-28-03-011
	600	WZ-1951-27-02-011	WZ-1951-28-02-011
	800	WZ-1951-27-01-011	WZ-1951-28-01-011

Package: 1 pc.

Perforated roof

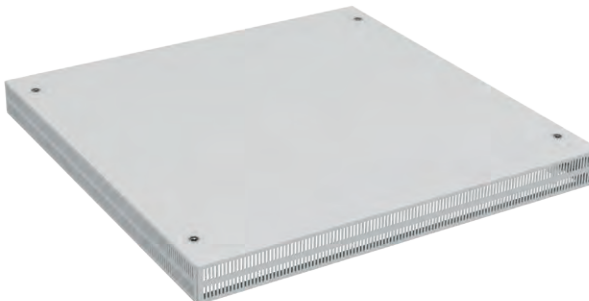
Extends the overall height of the cabinet by 70 mm. Adheres directly to the cabinet frame. Roof width is aligned with cabinet frame width.

Material

Sheet steel powder painted in RAL 7035

Scope of delivery

Roof with 4 fixing/spacer bolts for mounting. (Assembly screws M12 are delivered with the cabinet.)



For cabinet		Catalogue number
width [mm]	depth [mm]	
800	600	WZ-8215-43-01-011
	800	WZ-8215-43-02-011

Package: 1 pc.

ACCESSORIES FOR SZE2 CABINETS

LIFTING ACCESSORIES



Lifting angle



Eyebolt

Lifting accessories

Fixed to threaded holes in the top plate of the cabinet's frame or (when the roof is used) to fixing/spacer bolts.

Offered in two options:

- 1) eyebolts - galvanised steel, eye diameter: 30 mm, thread for fastening: M12;
- 2) lifting angle for cabinets bayed in rows - galvanised steel angle, lifting hole diameter: 38 mm, two holes for mounting screws M12.

Scope of delivery

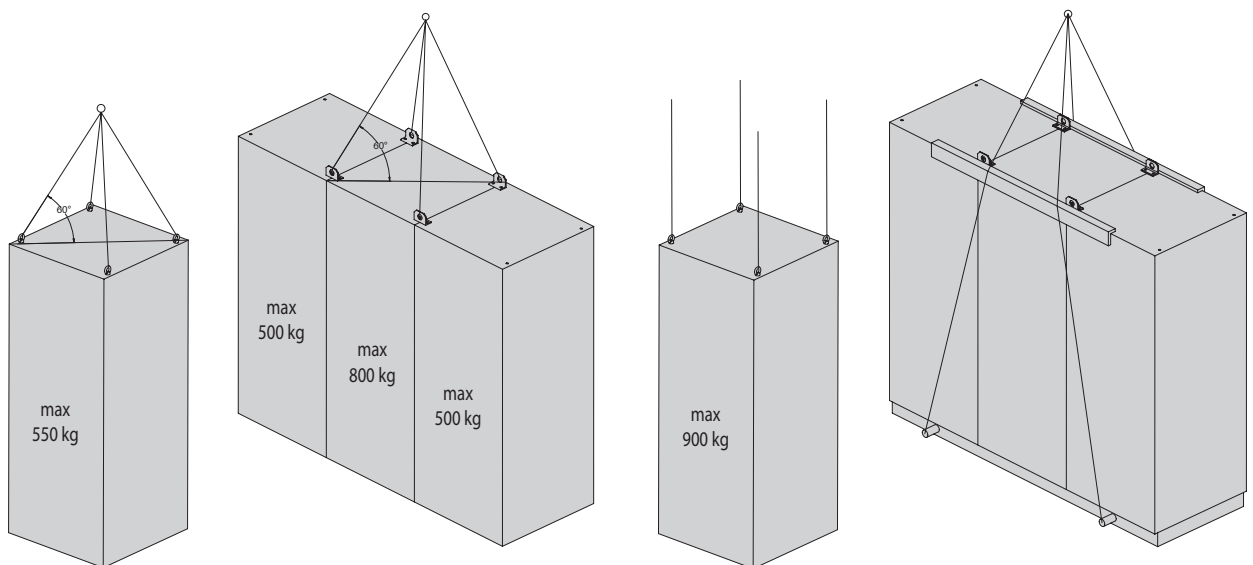
Lifting accessories are sold separately.

Lifting angle is supplied with mounting screws.



Product name	Package	Catalogue number
eyebolt	1 pc.	M1F-00-0106
lifting angle	1 pc.	WZ-1951-68-00-000

TRANSPORT OF SZE2 CABINETS



For larger loads, a set of cabinets should be preferably placed on a single shared welded plinth which reinforces the entire structure during transport. For advice on selection of an appropriate plinth type, please ask ZPAS S.A. design department.

ACCESSORIES FOR SZE2 CABINETS

CABINET'S BASE

Welded plinth

Indicated for heavy duty cabinets. Provide to transport cabinets with forklift truck without using transport pallet.

Material

Sheet steel powder paint, light grey RAL 7035.

Scope of delivery

Plinth with mounting accessories for fastening plinth to the cabinet.



For cabinet		Catalogue number	
width [mm]	depth [mm]	Plinth 100 mm high	Plinth 200 mm high
600	400	WZ-1951-71-14-011	WZ-1951-74-14-011
	500	WZ-1951-71-13-011	WZ-1951-74-13-011
	600	WZ-1951-71-12-011	WZ-1951-74-12-011
	800	WZ-1951-71-11-011	WZ-1951-74-11-011
800	400	WZ-1951-71-10-011	WZ-1951-74-10-011
	500	WZ-1951-71-09-011	WZ-1951-74-09-011
	600	WZ-1951-71-08-011	WZ-1951-74-08-011
	800	WZ-1951-71-07-011	WZ-1951-74-07-011
1000	500	WZ-1951-71-06-011	WZ-1951-74-06-011
	600	WZ-1951-71-05-011	WZ-1951-74-05-011
1200	500	WZ-1951-71-03-011	WZ-1951-74-03-011
	600	WZ-1951-71-02-011	WZ-1951-74-02-011
	800	WZ-1951-71-01-011	WZ-1951-74-01-011

Package: 1 pc.

Castors set

Designed for SZE2 and SZE2 PC cabinets 600, 800 and 1000 mm wide. Consists of castors type 300 and strengthening bars mounted at the front and rear of the cabinet.

Maximum load capacity: 600 kg
Height: 135,5 mm

Material

Strengthening bar - sheet steel powder paint, light grey RAL 7035.
Castors - plastic, galvanised sheet steel.

Ordering method

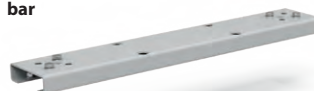
Castors set unit consists of parts to be ordered separately: swivel castors with brake, fixed castors without brake, strengthening bars.

The scope of delivery includes fixing elements.



Assembled castors set

Strengthening bar



Fixed castor type 300 without brake



Swivel castor type 300 with brake

Part name	Package	Catalogue number
Swivel castors type 300 with brake	2 pcs	WZ-SB73-00-01-000-2
Fixed castors type 300 without brake	2 pcs	WZ-SB73-00-02-000-2
Strengthening bars for cabinet's width:	600 mm	2 szt.
	800 mm	2 szt.
	1000 mm	2 szt.

ACCESSORIES FOR SZE2 CABINETS

CABINET'S BASE



Modular plinth

Plinth consists of corners and removable side panels. Total weight of the cabinet is carried by plinth corners. It is possible to use the area under the cabinet by unscrewing the side panels. Plinth can be mounted to the base by optionally using rubber vibro-shock absorbers.

Ordering method

The plinth shall be ordered from the following components: plinth corners and plinth side panels depending on the width and depth of the cabinet.



Plinth corners

Corners are equipped with removable plates that ease the access to assembling and levelling elements. Corners can be equipped with levelling set or vibro-shock absorbers.

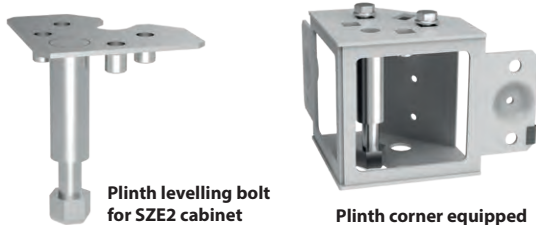
Material

Body: sheet steel powder painted in light grey (RAL 7035). Covers: black plastic.

Scope of delivery

Set of 4 corners include fixing accessories.

Height [mm]	Package	Catalogue number
100	4 pcs	WZ-6935-74-00-011



Plinth levelling bolt for SZE2 cabinet

Plinth corner equipped with levelling bolt

In order to fasten the levelling bolt in the corner and join the corner with the cabinet, 2 pcs. of M8 bolts with washers are used (delivered with the plinth corner).

Set for plinth levelling

Plinth corners can be equipped with additional levelling bolts, that enable stable setting of the cabinet on uneven floor.

Adjustment range: 0–10 mm

Material

Galvanised steel

Product name	Package	Catalogue number
Set of 4 plinth levelling bolts for SZE2 cabinet	1 set	WZ-6935-Z1-02-000



Vibro-shock absorber



Plinth corner with vibro-shock absorber

Vibro-shock absorbers

Vibro-shock absorbers reduce the transmission of possible vibrations between the floor and the cabinet (e.g. in industrial buildings). Plinth with vibro-shock absorbers should be fixed into the room's floor.

Material

10 mm thick rubber.

Scope of delivery

Set of 4 vibro-shock absorbers.

Package	Catalogue number
1 set	WZ-M1Z-00-0048-000-4

ACCESSORIES FOR SIZE2 CABINETS

CABINET'S BASE

Plinth side panels

There are three types of plinth side panels available. Side panels can be removed even when the cabinet is loaded with equipment.

Material

Sheet steel powder painted in light grey (RAL 7035).

Scope of delivery

Panel with fixing elements.

Product name	Use	Length of side panel [mm]	Length of plinth's side [mm]	Catalogue number
Solid side panel	plinth's front or rear	400	600	WZ-6935-46-05-011
		600	800	WZ-6935-46-03-011
		800	1000	WZ-6935-46-02-011
		1000	1200	WZ-6935-46-01-011
	plinth's sides	150	350	WZ-6935-46-10-011
		250	450	WZ-6935-46-08-011
		350	550	WZ-6935-46-06-011
Perforated side panel	plinth's front or rear	400	600	WZ-6935-92-05-011
		600	800	WZ-6935-92-03-011
		800	1000	WZ-6935-92-02-011
		1000	1200	WZ-6935-92-01-011
	plinth's sides	150	350	WZ-6935-92-10-011
		250	450	WZ-6935-92-08-011
		350	550	WZ-6935-92-06-011
Side panel with brush opening	plinth's front or rear	400	600	WZ-6935-94-05-011
		600	800	WZ-6935-94-03-011
		800	1000	WZ-6935-94-02-011
		1000	1200	WZ-6935-94-01-011
	plinth's sides	150	350	WZ-6935-94-10-011
		250	450	WZ-6935-94-08-011
		350	550	WZ-6935-94-06-011
		550	750	WZ-6935-94-04-011

Package: 1 pc.



Solid side panel



Perforated side panel



Side panel with brush opening

Set of elements for connecting plinths

Plinths can be joined in row or stacked.

Joining in rows

In order to join two plinths, one connecting set is needed.

Stacking

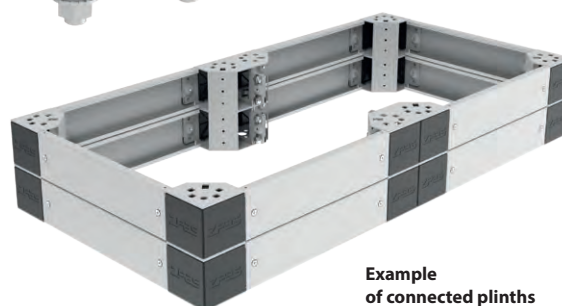
In order to stack two plinths, two connecting sets are needed.

Maximum allowed height: 4 plinths x 100 mm

Product description	Package	Catalogue number
4 bolts M10x20 4 washers 10,5 4 flange nuts M10	1 set	WZ-6935-Z1-03-000



Set of elements for connecting plinths



Example of connected plinths

ACCESSORIES FOR SZE2 CABINETS

19" SWING FRAME



Asymmetrical swing frame with 150 kg load capacity mounted in the SZE2 cabinet

19" swing frame

Intended for SZE2 cabinets 800 and 600 mm wide.
 Available in symmetrical and asymmetrical options.
 Equipped with door-stop.
 Two locks with double-bit insert.
 Possibility of left- or right-side assembly by 180° rotation.
 Maximum opening angle: 120°
 Load capacity: 150 kg

Material

Sheet steel and steel profiles powder painted in RAL 7035

Scope of delivery

Swing frame with fixing accessories for mounting to the cabinet.

For cabinet		Usable height of the frame HU [U = 44,45 mm]	Swing frame type	Maximum depth for installations D _{max} [mm]	Catalogue number
Width [mm]	Height [mm]				
600	2000	40 U	symmetrical	180	WZ-1951-29-05-011
	2200	44 U	symmetrical	180	WZ-1951-29-08-011
800	2000	40 U	symmetrical	360	WZ-1951-29-01-011
			asymmetrical	440	WZ-1951-20-01-011
	2200	44 U	symmetrical	360	WZ-4950-26-00-011
			asymmetrical	440	WZ-4950-27-00-011

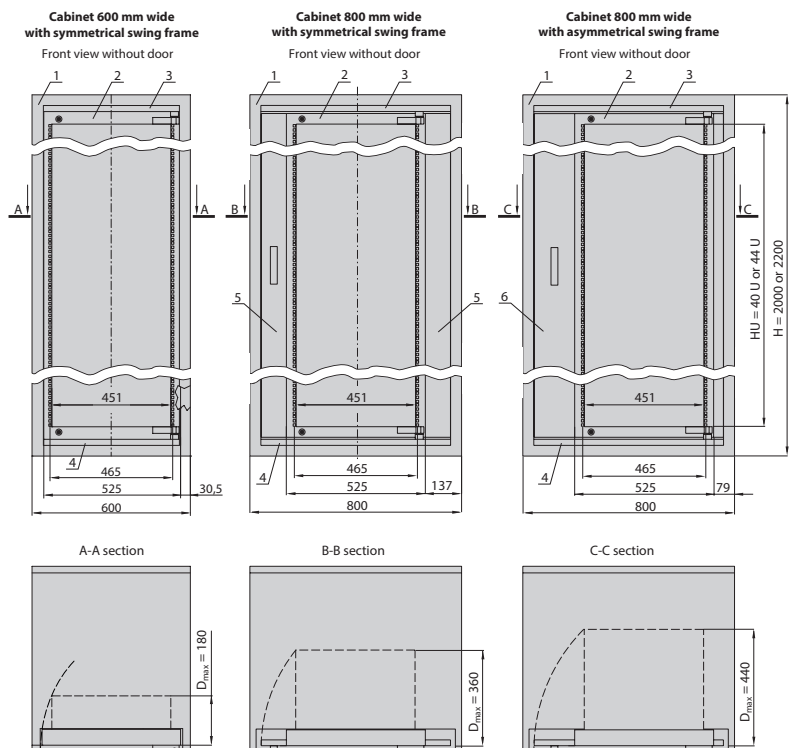
Package: 1 pc.

Notes

Cabinet with a swing frame should be fixed to the floor of the room to prevent tipping.
 On customers request, we make cabinets with swing frames with the possibility of opening by 180°.

DESIGN

1. Cabinet frame
2. 19" swing frame
3. Top supporting bar
4. Bottom supporting bar
5. Masking panel for symmetrical frame
6. Masking panel for asymmetrical frame



ACCESSORIES FOR SZE2 CABINETS

19" SWING FRAME

19" swing frame with increased load capacity

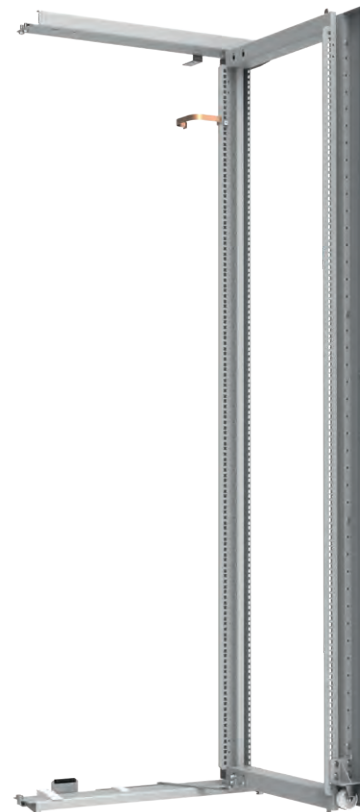
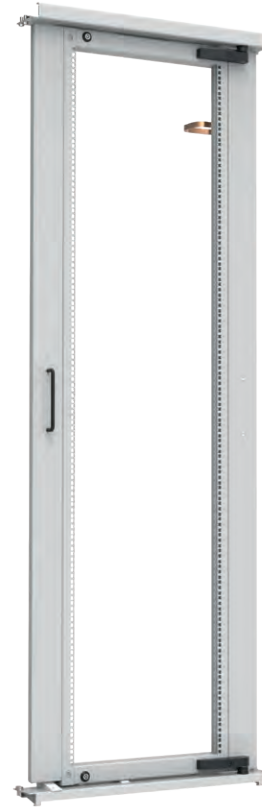
On customers request, it is possible to make SZE2 cabinet with a swing frame with a load capacity of 200 kg.

The swing frame then has an overrun wheel and the cabinet's frame has special strengthening which prevents it from deforming during opening the loaded frame.

For detailed information, please contact ZPAS sales department.



Example of SZE2 cabinet with strengthened frame equipped with a swing frame with 200 kg load capacity



ACCESSORIES FOR SZE2 CABINETS

MOUNTING PLATE



Mounting plate



Mounting plate guides

**Mounting plate**

The mounting plate is designed for installing different equipment inside the SZE2 cabinet.

Detailed dimensions of the mounting plates are given in the drawing on page 17.

Material

Al-Zn-coated steel sheet, 3 mm thickness; dimensional tolerances sheet steel are normal according to EN 10143.

Scope of delivery

Mounting plate with cabinet fixing accessories.
Mounting plate guides are sold separately.

Height [mm]	For cabinet		Catalogue number
	Width [mm]		
2000	600		WZ-1951-67-10-000-BP
	800		WZ-1951-67-07-000-BP
	1000		WZ-1951-67-04-000-BP
	1200		WZ-1951-67-01-000-BP
2200	600		WZ-4950-28-10-000-BP
	800		WZ-4950-28-07-000-BP
	1000		WZ-4950-28-04-000-BP
	1200		WZ-4950-28-01-000-BP

Package: 1 pc

Note:

On customers request, we make hinged mounting plates, using galvanized steel sheet or textolite plate.

The mounting plate can also be powder-painted in RAL 7035 (standard colour) or any other colour on demand.

Mounting plate guides

The guides are designed for installing the mounting plate in the SZE2 cabinet. They make inserting and positioning the plate inside the cabinet easier.

Material

Al-Zn-coated steel sheet

Scope of delivery

Set of 2 guides together with accessories for fixing them on the bottom plate of the cabinet.

For cabinet depth [mm]	Catalogue number
400	WZ-1951-64-04-000
500	WZ-1951-64-03-000
600	WZ-1951-64-02-000
800	WZ-1951-64-01-000

Package: 1 set

ACCESSORIES FOR SZE2 CABINETS

ACCESSORIES FOR MOUNTING ELECTRICAL EQUIPMENT

Electric meter box

It is used for installation of electricity meters in the SZE2 cabinet with 19" swing frame, 19" mounting profiles or mounting profiles II.

Material

Steel sheet powder painted in RAL 7035

Scope of delivery

Electric meter box with fixing accessories for mounting to the cabinet.



Installation method to the cabinet	External dimensions [mm]			Internal dimensions [mm]		Catalogue number
	height [mm]	width [mm]	depth [mm]	height [mm]	width [mm]	
On 19" mounting profiles or 19" swing frame (pages 38-39, 34-35)	444,5 (10U)	482.6	150	402	440	WZ-5716-38-01-011
			100	402	440	WZ-5716-A1-16-01-011
On mounting profiles II (page 57)	450	482.6	150	407	440	WZ-5716-38-02-011
			100	407	440	WZ-5716-A1-16-02-011
		682.6	150	407	640	WZ-5716-38-03-011
			100	407	640	WZ-5716-A1-16-03-011

Package: 1 pc

Voltage distribution panel

Universal 19" enclosure for modular devices.

Capacity of panel

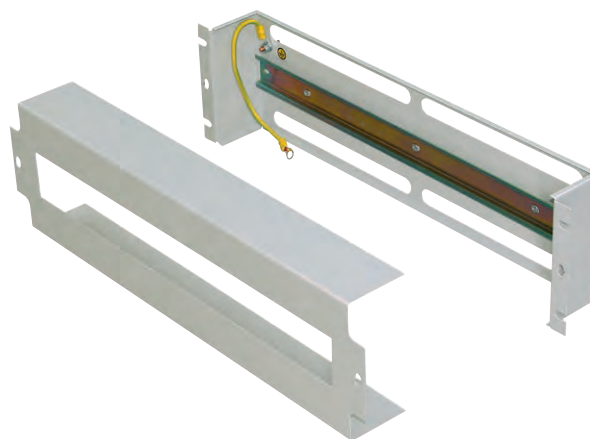
Maximum number of built-in S-type modules (width of module 17.5 mm): 22 pcs.

Material

Steel sheet powder painted in RAL 7035 or RAL 9005.

Scope of delivery

Mounting base, DIN rail, housing, fixing accessories for mounting to the cabinet.



Note:

On individual request, the panel can be fitted with electrical equipment.

Installation method to the cabinet	External dimensions [mm]			Internal dimensions [mm]		Catalogue number	
	height [mm]	width [mm]	depth [mm]	height [mm]	width [mm]	RAL 7035	RAL 9005
On 19" mounting profiles or 19" swing frame (pages 38-39, 34-35)	133 (3 U)	482.6	60	130	440	WZ-PS3U-00-00-011	WZ-PS3U-00-00-161

Package: 1 pc

ACCESSORIES FOR SZE2 CABINETS

19" MOUNTING PROFILES SYSTEM

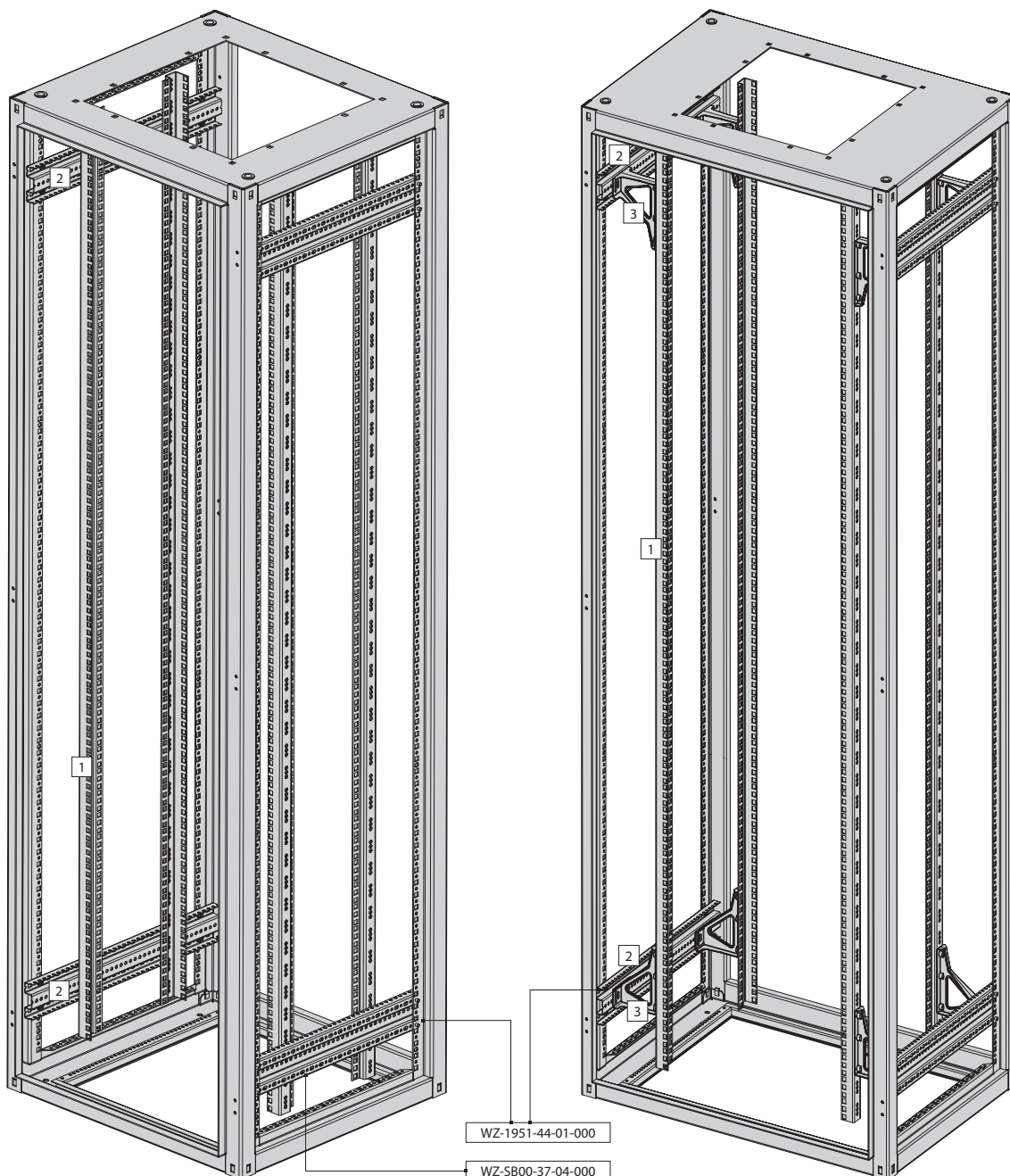
19" rack construction methods

19" rack in a cabinet with a width of 600 mm

1. 19" mounting profile (page 39)
2. Mounting bar UNI (page 42)

19" rack in a cabinet with a width of 800 mm

1. 19" mounting profile (page 39)
2. Mounting bar UNI (page 42)
3. Outrigger (page 39)



Used fixing accessories: WZ-1951-44-01-000 - M6x16 self-forming screws (see page 43)
 WZ-SB00-37-04-000 - fixing accessories for mounting profiles (see page 57)

ACCESSORIES FOR SIZE2 CABINETS

19" MOUNTING PROFILES SYSTEM

19" mounting profile

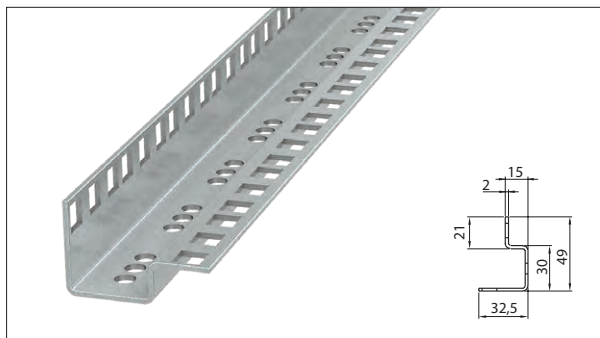
Used for installing 19" equipment in cabinets 600 or 800 mm wide. They are fixed to the cabinet's frame by using mounting bars UNI; in order to achieve the 19" spacing in cabinets 800 mm wide it is necessary to use outriggers, while in cabinets 1000 and 1200 mm wide an individual rack made of mounting bars UNI.

Material

Al-Zn coated sheet steel

Scope of delivery

Mounting profile without fixing accessories.



Length of mounting profile		Catalogue number
[mm]	[U = 44.45 mm]	
1067	24 U	WZ-1718-97-08-000
1200	27 U	WZ-1718-97-16-000
1245	28 U	WZ-1718-97-07-000
1334	30 U	WZ-1718-97-15-000
1422	32 U	WZ-1718-97-06-000
1467	33 U	WZ-1718-97-14-000

Package: 1 pc.

Length of mounting profile		Catalogue number
[mm]	[U = 44.45 mm]	
1600	36 U	WZ-1718-97-05-000
1689	38 U	WZ-1718-97-04-000
1734	39 U	WZ-1718-97-13-000
1778	40 U	WZ-1718-97-03-000
1867	42 U	WZ-1718-97-02-000
2089	47 U	WZ-1718-97-20-000

Outrigger

For fixing mounting profile in SZE2 cabinet 800 mm wide.

Material

Zamak casting

Scope of delivery

1 outrigger with fixing accessories for fastening to mounting profile and mounting bar UNI.



Package	Catalogue number
1 pc.	WZ-5205-90-00-C12

19" transverse bar

For installing devices on 19" mounting profiles or 19" swing frame.

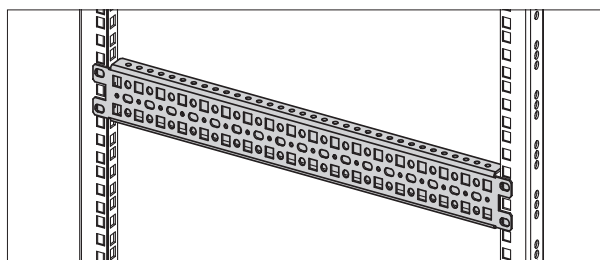
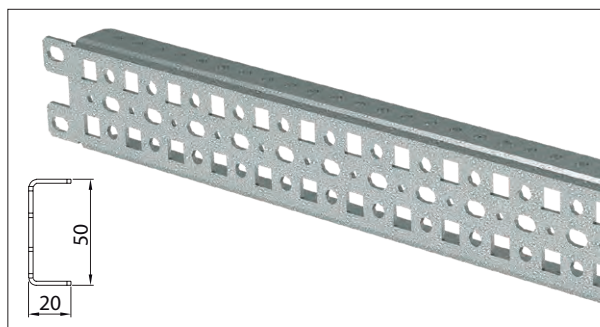
Material

Al-Zn coated sheet steel

Scope of delivery

19" transverse bar without fixing accessories (fixing accessories: cat. no WZ-1951-44-02-000, see page 43).

Package	Catalogue number
1 pc.	WZ-6414-05-00-000



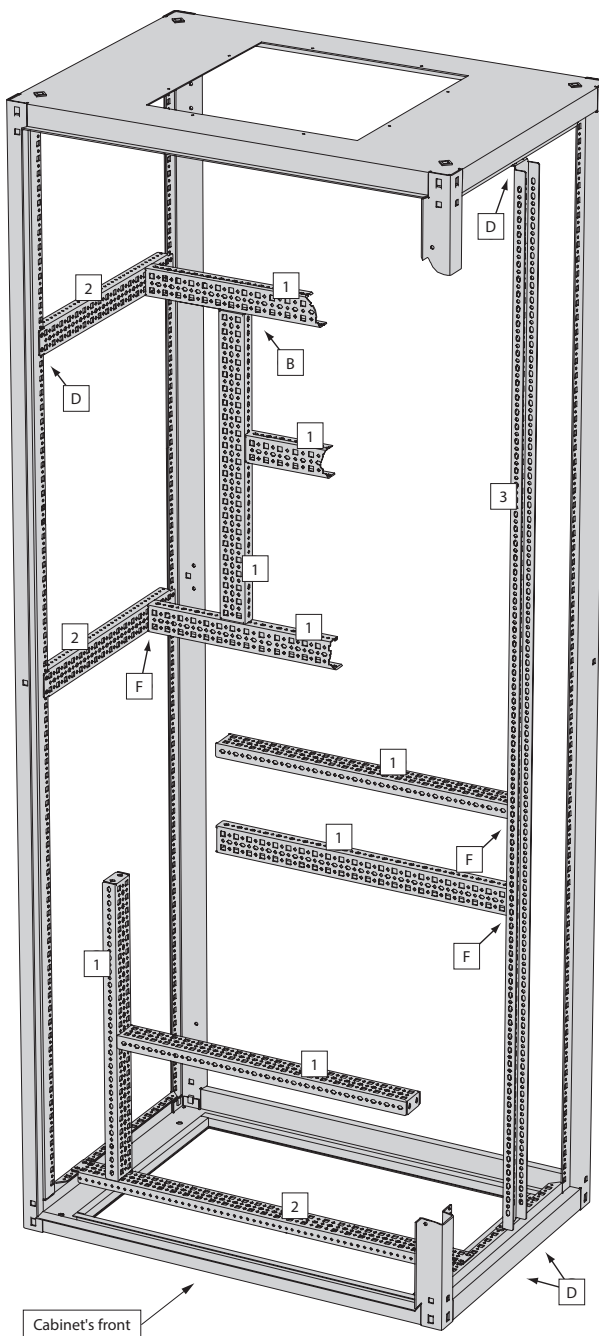
ACCESSORIES FOR SIZE2 CABINETS

MOUNTING BARS SYSTEM

Rack construction methods - mounting bars system

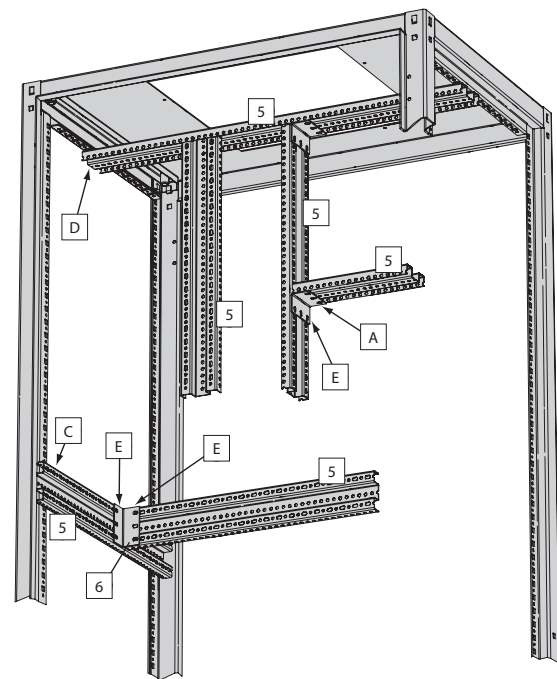
CLASSIC system

1. Mounting bar CLASSIC (page 41)
2. Cross bar CLASSIC (page 41)
3. Vertical bar CLASSIC (page 42)



UNI system

5. Mounting bar UNI (page 42)
6. Angle-element for joining mounting bars UNI (page 43)



FIXING ACCESSORIES

Description	pcs.	From set* cat. number
A screw with nut and washers	1	WZ-1951-44-03-000
B screw with nut and washers	2	WZ-1951-44-03-000
C self-forming screw	1	WZ-1951-44-01-000
or screw with cage nut and washer	2	WZ-1951-44-02-000
D self-forming screw	2	WZ-1951-44-01-000
or screw with cage nut and washer	2	WZ-1951-44-02-000
E self-forming screw	2	WZ-1951-44-01-000
or screw with nut and washers	2	WZ-1951-44-03-000
F screw with cage nut and washer	2	WZ-1951-44-02-000
or screw with nut and washers	2	WZ-1951-44-03-000

*) Fixing accessories are sold in sets 20 pcs/1 set.
A detailed description is available on page 43.

ACCESSORIES FOR SIZE2 CABINETS

MOUNTING BARS SYSTEM

Mounting bar CLASSIC

Fixed to cross bars or vertical bar.

Material

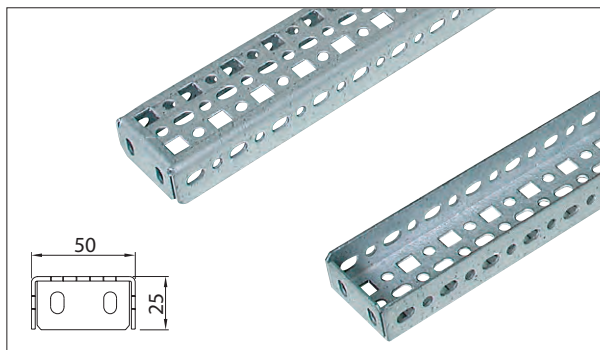
Al-Zn coated sheet steel

Scope of delivery

Mounting bar without fixing accessories (fixing accessories are listed on page 43).

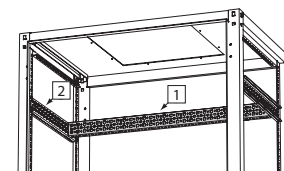
Mounting bar length [mm]	Catalogue number	Mounting bar length [mm]	Catalogue number
200	WZ-0573-12-25-000	650	WZ-0573-12-13-000
225	WZ-0573-12-24-000	700	WZ-0573-12-12-000
250	WZ-0573-12-23-000	750	WZ-0573-12-11-000
275	WZ-0573-12-22-000	775	WZ-0573-12-10-000
300	WZ-0573-12-21-000	800	WZ-0573-12-09-000
350	WZ-0573-12-20-000	850	WZ-0573-12-08-000
400	WZ-0573-12-19-000	900	WZ-0573-12-07-000
450	WZ-0573-12-18-000	950	WZ-0573-12-06-000
500	WZ-0573-12-17-000	1000	WZ-0573-12-05-000
525	WZ-0573-12-16-000	1050	WZ-0573-12-04-000
550	WZ-0573-12-15-000	1100	WZ-0573-12-03-000
600	WZ-0573-12-14-000	1150	WZ-0573-12-02-000
		1200	WZ-0573-12-01-000

Package: 1 pc.



MATCHING MOUNTING BAR CLASSIC TO CABINET'S WIDTH

Cabinet width [mm]	Length of mounting bar CLASSIC [mm]
600	550
800	750
1000	950
1200	1150



1. Mounting bar CLASSIC
2. Cross bar CLASSIC

Cross bar CLASSIC

Fixed to vertical or horizontal slots of the cabinet's frame.

Material

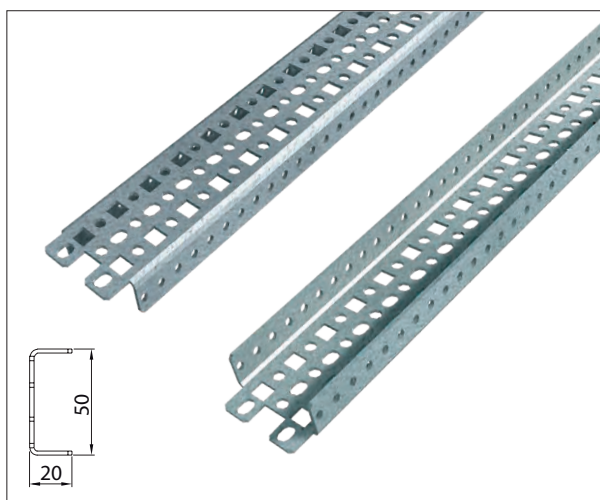
Al-Zn coated sheet steel

Scope of delivery

Cross bar without fixing accessories (fixing accessories are listed on page 43).

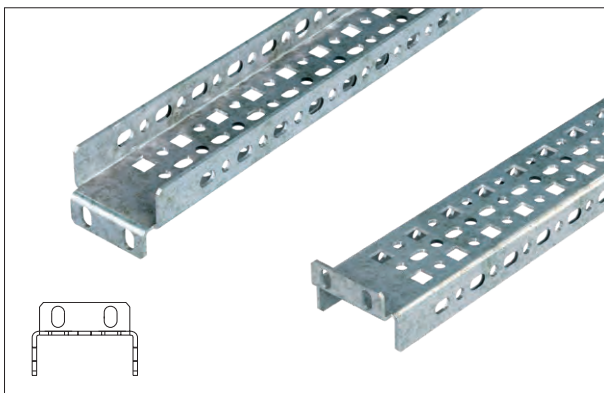
For cabinet		Cross bar length [mm]	Catalogue number
width [mm]	depth [mm]		
600	–	552.5	WZ-1951-46-08-000
800	–	752.5	WZ-1951-46-07-000
1000	–	952.5	WZ-1951-46-06-000
1200	–	1152.5	WZ-1951-46-05-000
–	400	240	WZ-1951-46-04-000
–	500	340	WZ-1951-46-03-000
–	600	440	WZ-1951-46-02-000
–	800	640	WZ-1951-46-01-000

Package: 1 pc.



ACCESSORIES FOR SZE2 CABINETS

MOUNTING BARS SYSTEM

**Vertical bar CLASSIC**

Fixed to the bottom and top plate of the cabinet's frame.

Material

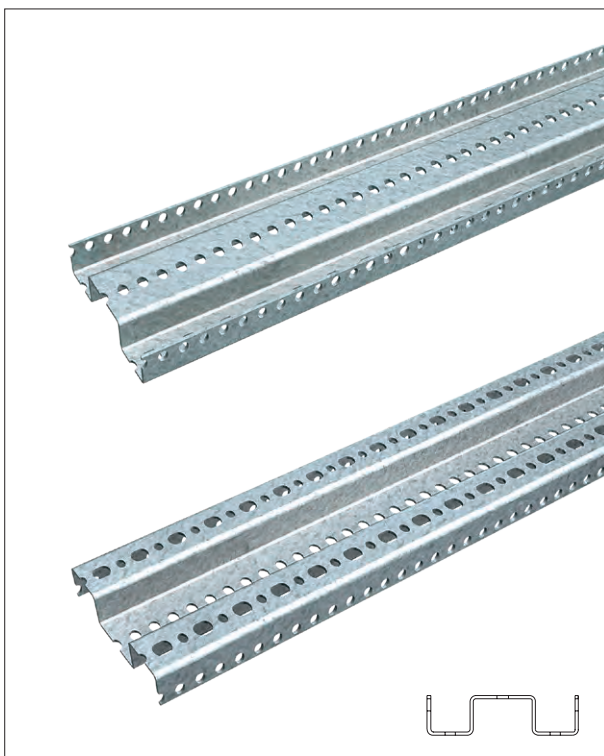
Al-Zn coated sheet steel

Scope of delivery

Vertical bar without fixing accessories (fixing accessories are listed on page 43).

For cabinet height [mm]	Vertical bar length [mm]	Catalogue number
2000	1875	WZ-1951-48-01-000
2200	2075	WZ-1951-48-05-000

Package: 1 pc.

**Mounting bar UNI**

Mounting bars UNI enable configuration of any rack inside the cabinet.

Slots in the bars are adjusted both for horizontal and vertical slots of the cabinet's frame.

The standard offer includes bars whose length is adjusted to the cabinet's dimensions (see the chart below). Other lengths of bars are available on customer's request.

It is possible to select the length of bar individually by cutting bars during the assembly.

Material

Al-Zn coated sheet steel

Scope of delivery

Mounting bar without fixing accessories.

height ¹ [mm]	For cabinet		Length of mounting bar [mm]	Catalogue number
	width ² [mm]	depth ³ [mm]		
1200	–	–	1075	WZ-1951-19-04-000
1600	–	–	1475	WZ-1951-19-03-000
1800	–	–	1675	WZ-1951-19-02-000
2000	–	–	1875	WZ-1951-19-01-000
2200	–	–	2075	WZ-4950-31-00-000
–	600	–	562.5	WZ-1951-19-08-000
–	800	–	762.5	WZ-1951-19-07-000
–	1000	–	962.5	WZ-1951-19-06-000
–	1200	–	1162.5	WZ-1951-19-05-000
–	–	400	300	WZ-1951-19-12-000
–	–	500	400	WZ-1951-19-11-000
–	–	600	500	WZ-1951-19-10-000
–	–	800	700	WZ-1951-19-09-000

Package: 1 pc.

Methods of fastening bars in the cabinet (look at page 40):

¹⁾ Indirect fastening by bars cat. No from WZ-1951-19-05-000 to WZ-1951-19-08-000.

²⁾ Direct fastening to the bottom or top plate.

³⁾ Direct fastening to the cabinet's posts.

ACCESSORIES FOR SZE2 CABINETS

MOUNTING BARS SYSTEM • SHELVES

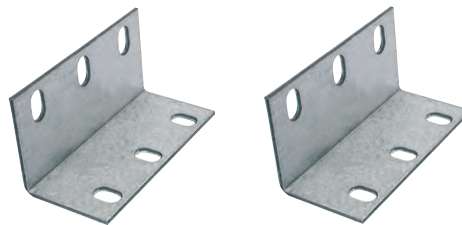
Angle element for joining mounting bars UNI

Material

Al-Zn coated sheet steel

Scope of delivery

1 angle element without fixing accessories.

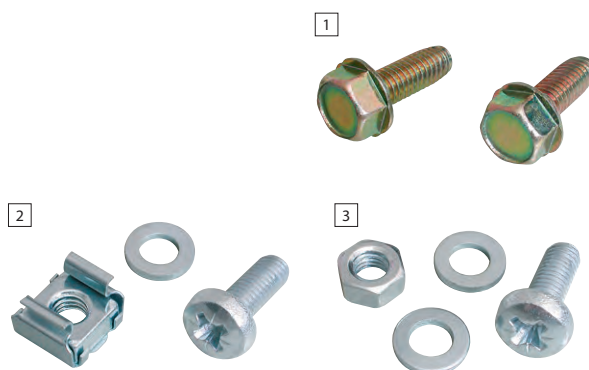


Package	Catalogue number
1 pc.	WZ-1951-21-00-000

Fixing accessories for CLASSIC and UNI bars

Application in accordance with instructions on page 40. They are sold in sets of 20 pcs. each.

Description	Package = 1 set	Catalogue number
1) Self forming screw M6x16	20 pcs.	WZ-1951-44-01-000
2) Screw M6x16 Cage nut M6 Washer 6.4	20 pcs. 20 pcs. 20 pcs.	WZ-1951-44-02-000
3) Screw M6x16 Nut M6 Washer 6.4	20 pcs. 20 pcs. 40 pcs.	WZ-1951-44-03-000



Shelves

Mounted directly to the cabinet's frame.

Material

Steel sheet powder painted in light grey (RAL 7035)

Scope of delivery

Shelf without fixing accessories.

WZ-8041-A1-67-011



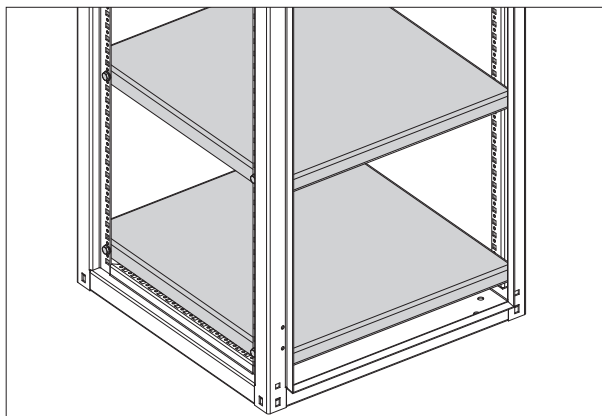
WZ-5899-11-00-011



For cabinet		Shelf dimensions* [mm]	Nośność półki [kg]	Perforation in the surface of the shelf	Catalogue number
Width [mm]	Depth [mm]				
600	600	552 x 540 x 25	100	NO	WZ-5899-09-00-011
800	600	752 x 530 x 25	100	YES	WZ-5899-11-00-011
800	500	754 x 390 x 33	200	NO	WZ-8041-A1-67-011
600	800	552 x 730 x 25	100	YES	WZ-6138-61-00-011
800	800	752 x 730 x 25	100	YES	WZ-6412-62-00-011

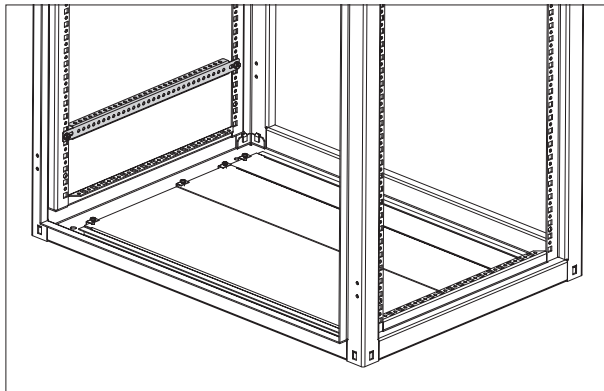
Package: 1 pc.

*) On customers request, shelves with other dimensions can be produced.



ACCESSORIES FOR SZE2 CABINETS

CABLE MANAGEMENT

**Transverse cable bar**

Used for cable bundle assemblies. Fixed in the horizontal position to the side of the cabinet (to slots in the frame profiles) or to the door frame.

Fixing method

using self forming screws or using screw with cage nut and washer - see page 43

Material

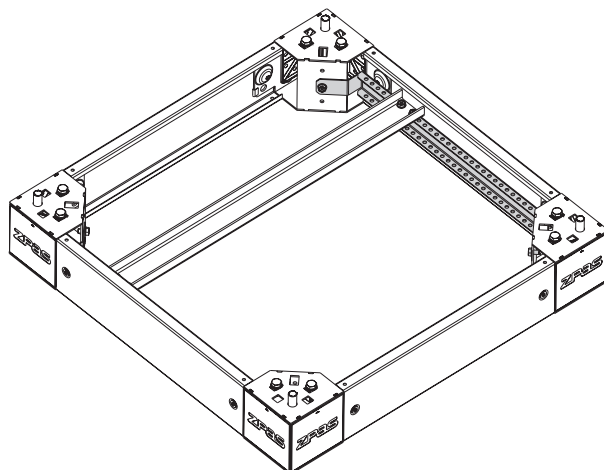
Al-Zn coated sheet steel

Scope of delivery

Transverse cable bar without fixing accessories (fixing accessories are listed on page 43).

For cabinet depth [mm]	Length of bar [mm]	Catalogue number
400	240	WZ-1951-65-04-000
500	340	WZ-1951-65-03-000
600	440	WZ-1951-65-02-000
800	640	WZ-1951-65-01-000

Package: 1 pc.

**Supports for cable bar**

For mounting the cable bar on the modular plinth.

Material

Al-Zn coated sheet steel

Scope of delivery

Two supports for cable bar with fixing accessories.

For cabinet depth [mm]	Catalogue number
350	WZ-6935-75-10-000
450	WZ-6935-75-08-000
550	WZ-6935-75-06-000
750	WZ-6935-75-04-000

Package: 1 set

ACCESSORIES FOR SZE2 CABINETS

CABLE MANAGEMENT

Cable bar, cable clamps

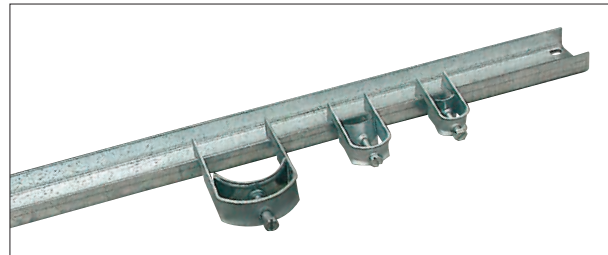
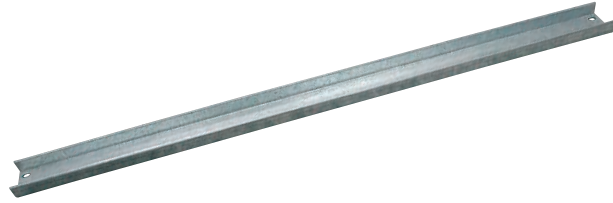
For fixing cables with cable clamps. Cable bar is to be mounted on horizontal profile of the cabinet frame or on the modular plinth.

Material

Cable bar - Al-Zn coated sheet steel
 Cable clamps - zinc coated sheet steel

Scope of delivery

Cable bar sold without fixing accessories (fixing accessories are listed on page 43).
 Cable clamps should be ordered separately.



Cable clamps

For cable diameter [mm]	Catalogue number
8-12	WZ-K12U-00-00-000/5
12-16	WZ-K16U-00-00-000/5
16-20	WZ-K20U-00-00-000/5
20-24	WZ-K24U-00-00-000/5
24-28	WZ-K28U-00-00-000/5
28-32	WZ-K32U-00-00-000/5
32-36	WZ-K36U-00-00-000/5
36-40	WZ-K40U-00-00-000/5
40-44	WZ-K44U-00-00-000/5
44-48	WZ-K48U-00-00-000/5
48-52	WZ-K52U-00-00-000/5
52-56	WZ-K56U-00-00-000/5

Package: 5 pcs

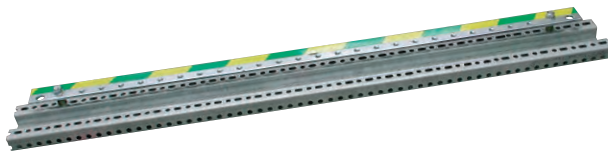
Cable bar

For cabinet width [mm]	Cable bar dimensions [mm] (length x width x height)	Catalogue number
600	558 x 49 x 20	WZ-1951-22-04-000
800	758 x 49 x 20	WZ-1951-22-03-000
1000	958 x 49 x 20	WZ-1951-22-02-000
1200	1158 x 49 x 20	WZ-1951-22-01-000

Package: 1 pc.

ACCESSORIES FOR SZE2 CABINETS

EARTHING AND SHIELDING



Earthing bar set

Consists of earthing bar and horizontal mounting bar UNI intended for fixing on the horizontal profiles of the cabinet's frame.

Earthing bar with threaded holes M8 for cables fixing.

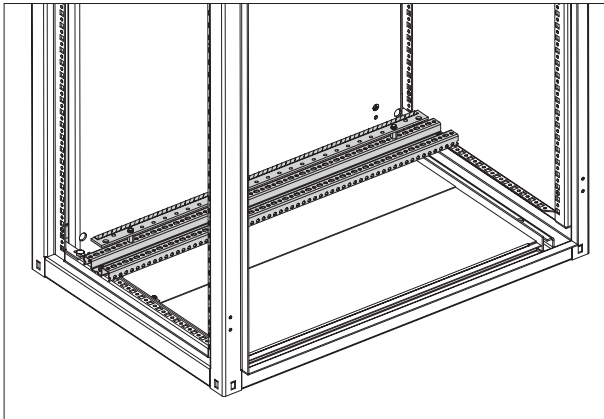
Material

Earthing bar: zinc-coated steel rail 30 x 4 mm

Mounting bar UNI: Al-Zn coated sheet steel

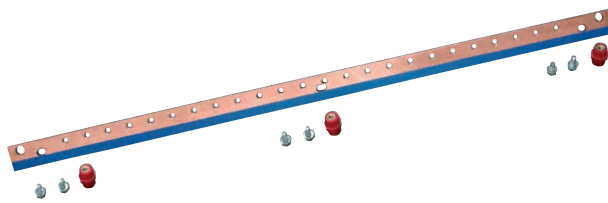
Scope of delivery

Earthing bar set with fixing accessories for assembling into the cabinet.



For cabinet width [mm]	Length of mounting bar [mm]	Length of earthing bar [mm]	Catalogue number of set
600	562.5	513.5	WZ-1951-24-04-000
800	762.5	713.5	WZ-1951-24-03-000
1000	962.5	913.5	WZ-1951-24-02-000
1200	1162.5	1113.5	WZ-1951-24-01-000

Package: 1 set



Shielding bar

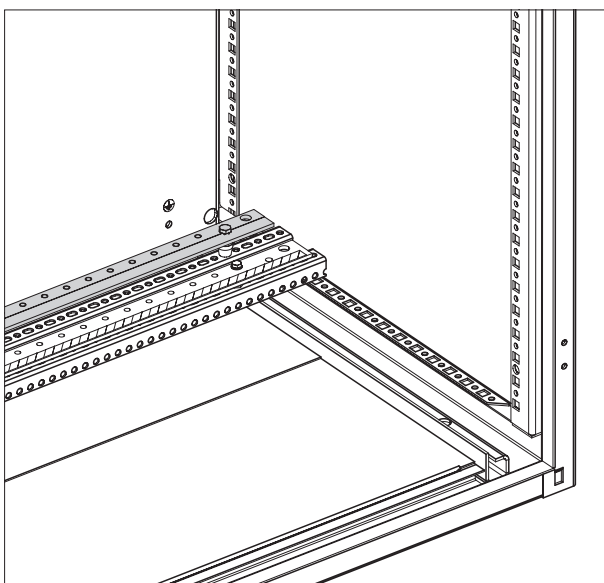
Fixed on the mounting bar UNI (which is the part of earthing bar set), on the mounting bar CLASSIC or directly on the cabinet frame.

Material

Copper bar 30 x 4 mm

Scope of delivery

Shielding bar with 3 insulators and fixing screws.



For cabinet width [mm]	Length of potential equalisation bar [mm]	Catalogue number	
		Shielding bar with blue tape	Shielding bar without tape*
600	513.5	WZ-1951-25-04-000	WZ-1951-25-04-000-BT
800	713.5	WZ-1951-25-03-000	WZ-1951-25-03-000-BT
1000	913.5	WZ-1951-25-02-000	WZ-1951-25-02-000-BT
1200	1113.5	WZ-1951-25-01-000	WZ-1951-25-01-000-BT

Package: 1 pc.

*) It can be used as a earthing bar.

ACCESSORIES FOR SZE2 CABINETS

EARTHING AND SHIELDING

Earthing cable set

Copper wires for making compensation protective connections between all the removable components of the cabinet, its structure, and the earthing strip. Cables are terminated with ring terminals for M8 bolts.

Material

Copper

Scope of delivery

Set: 9 Insulated strand, full section 6 mm², fixing accessories



Package	Catalogue number
1 set	WZ-1951-33-00-000

Vertical earthing bar

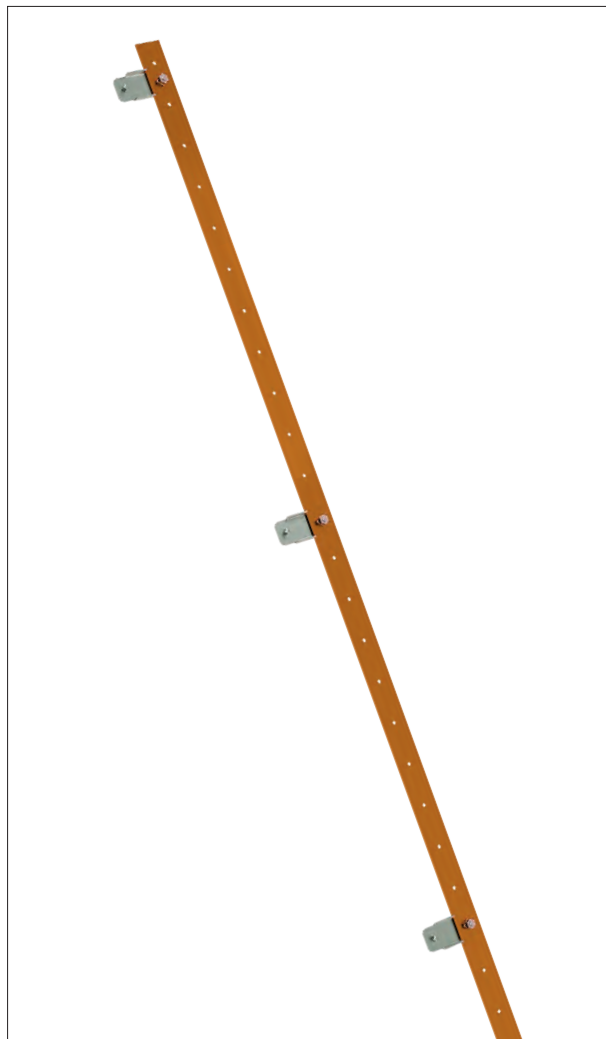
Mounted vertically to the 19" swing frame using brackets. It has threaded holes M6 for cables fixing. Length: 1650 mm

Material

Copper bar 30 x 3 mm

Scope of delivery

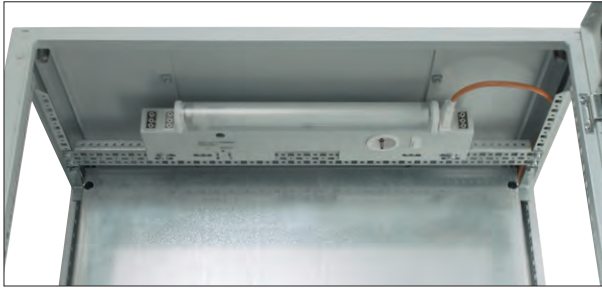
Earthing bar with brackets and fixing elements.



Package	Catalogue number
1 set	WZ-7580-11-00-000

ACCESSORIES FOR SZE2 CABINETS

LIGHTING



System lighting set

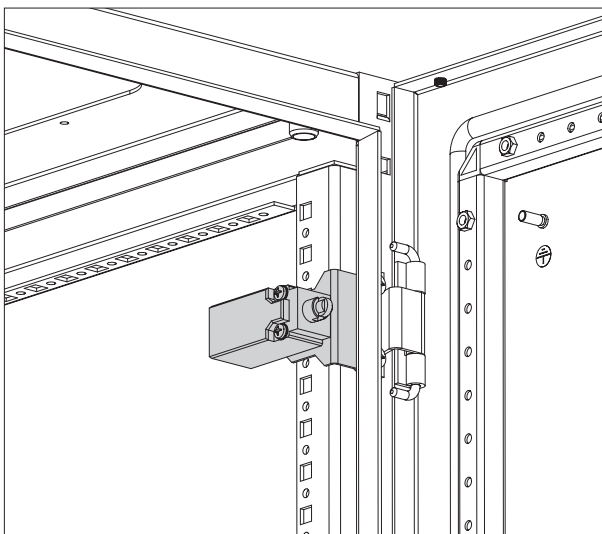
Fixed into the horizontal slots in the top part of the cabinet's frame.
 Equipped with a Schuko power socket and a switch.
 Possibility of direct power supply or use of the connecting cable from an adjacent lighting fitting.
 Possibility of door switch control.

Material

Electric light fitting - sheet steel powder painted in RAL 7035
 Mounting bar - Al-Zn coated sheet steel

Scope of delivery

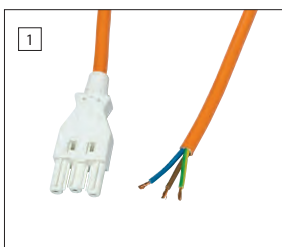
Set contains: electric light fitting with a 14 W fluorescent lamp, connecting plug, mounting bar with adjusted length to the cabinet's width, fixing accessories.
 Connecting cable, power supply cable and door switch set are to be ordered separately.



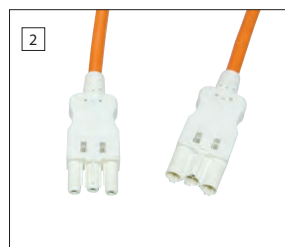
Door switch mounted in the cabinet

Product name	For cabinet width [mm]	Catalogue number
System lighting set	600	WZ-1951-80-04-011
	800	WZ-1951-80-03-011
	1000	WZ-1951-80-02-011
	1200	WZ-1951-80-01-011
Connecting cable 0.6 m	600 - 800	M1T-02-0012
Connecting cable 1.0 m	1000 - 1200	M1T-02-0011
Power supply cable 3.0 m		M1T-02-0016
Door switch set with 1.0 m cable		WN-0208-01-00-000-01

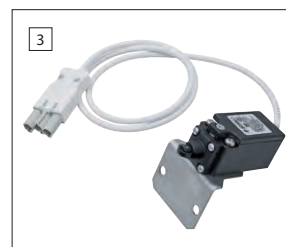
Package: 1 set



Power supply cable



Connecting cable



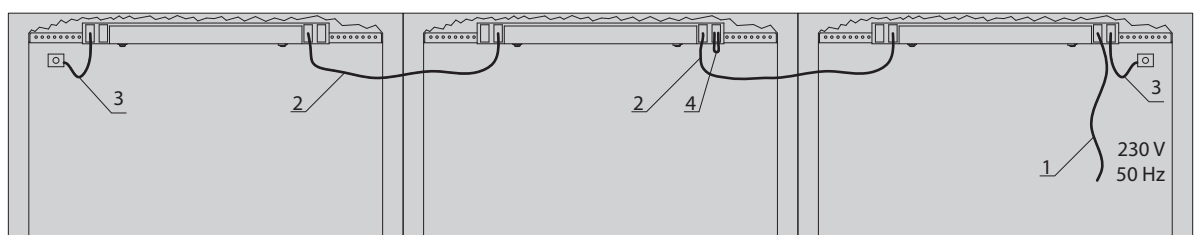
Door switch set



Connecting plug
(instead of the door switch)

CONNECTION DIAGRAM

1 - power supply cable, 2 - connecting cable, 3 - door switch set, 4 - connecting plug



ACCESSORIES FOR SIZE2 CABINETS

LIGHTING

Lighting set

Fixed into horizontal slots in the top part of the cabinet's frame.

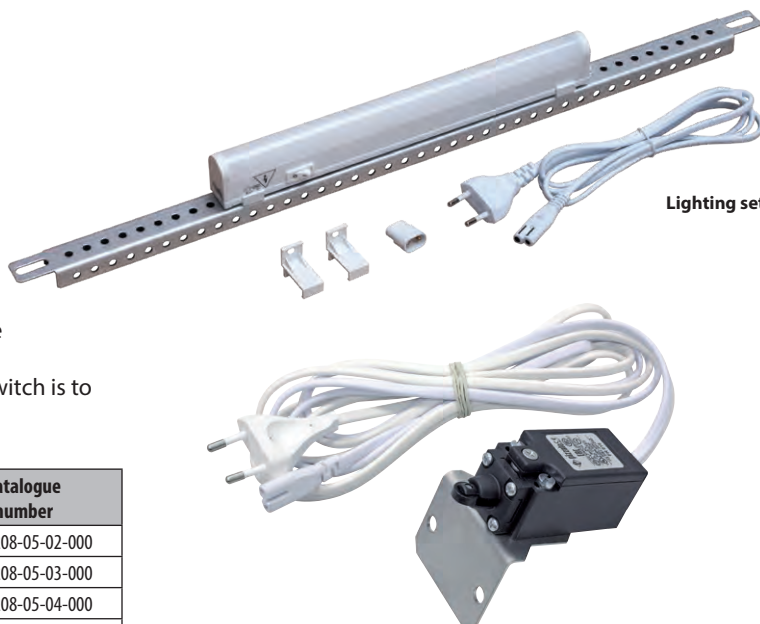
Material

Body of the light fitting - aluminium
Mounting bar - Al-Zn coated

Scope of delivery

Set: electric light fitting with a LED lamp 230 V, 5 W and switch, mounting bar, 1.5 m power supply cable, fixing accessories for mounting the set in the cabinet.

The power supply cable equipped with a door switch is to be ordered separately.



Lighting set

The power supply cable with a door switch that automatically switches on and off the light or other devices when the cabinet opens and closes

Product name	For cabinet width [mm]	Catalogue number
Lighting set	600	WN-0208-05-02-000
	800	WN-0208-05-03-000
	1000	WN-0208-05-04-000
	1200	WN-0208-05-05-000
Power supply cable 1.6 + 1.0 m with a door switch		WN-0208-04-06-000-02

Package: 1 set

Door switch set

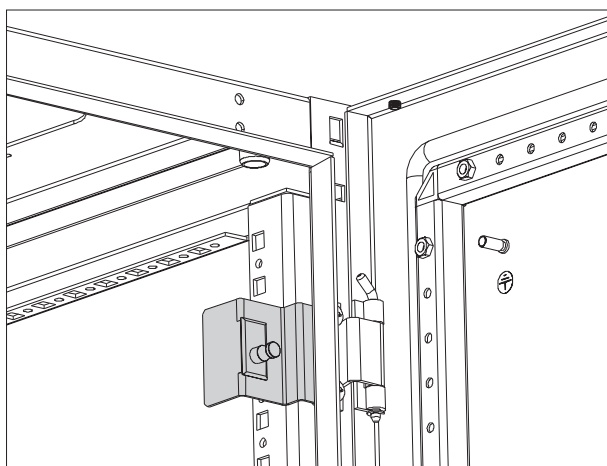
Mounted at the cabinet's door. Depending on wire connection, pressing the button closes or opens the circuit. Use only in circuits with safe (extra-low) voltage.

Scope of delivery

Door switch, mounting bracket, 2 screws

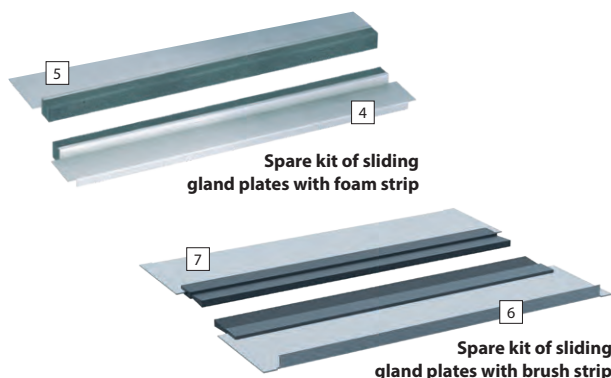


Package	Catalogue number
1 pc.	WZ-1951-41-03-000



ACCESSORIES FOR SZE2 CABINETS

CABLE GLAND PLATES AND BLANKING PLATES



Spare kit of sliding gland plates for cabinet's bottom plate

Sliding gland plates with foam strip (4, 5) or brush strip (6, 7) are intended for application instead of standard sliding gland plates (1, 2).

They create a cable opening with adjustable width.

Foam strip protects cable isolation lead into the cabinet from any defects, at the same time increasing the cabinet's tightness. Brush strip protects against dust.

Types, dimensions, number and spacing of openings in the bottom plate of SZE2 cabinet – see page 18.

Material

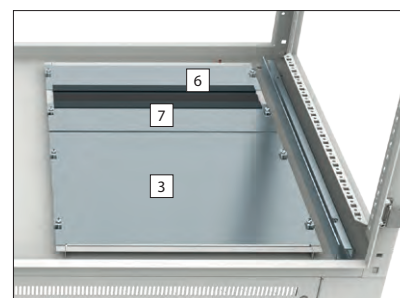
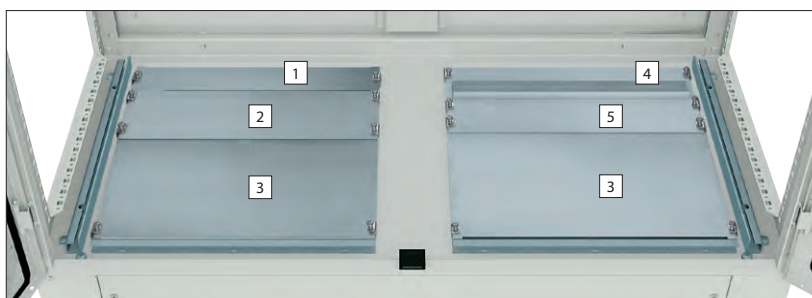
Al-Zn coated sheet steel, polyurethane foam, plastic brush.

Scope of delivery

Set of 2 sliding gland plates with foam strip (No. 4 and 5) or brush strip (No. 6 and 7). Used for one opening in SZE2 cabinet bottom plate (note: 1000 and 1200 mm wide cabinets have two openings in the bottom plate).

For cabinet width [mm]	Width of the opening for the sliding gland plate L1 [mm]	Width of the sliding gland plate L2 [mm]	Catalogue number	
			Kit of sliding gland plates with foam strip	Kit of sliding gland plates with brush strip
800	586	616	WZ-1951-81-01-000	WZ-8186-50-01-000
1200 or 600	386	416	WZ-1951-81-02-000	WZ-8186-50-02-000
1000	356	386	WZ-1951-81-03-000	WZ-8186-50-03-000

Package: 1 set



Supply of all SZE2 cabinets includes:
1, 2, 3 - standard sliding gland plates (without foam or brush) for each opening in the bottom plate of the cabinet.

Supplementary accessories:
4, 5 - spare kit of sliding gland plates with foam strip,
6, 7 - spare kit of sliding gland plates with brush strip.

Sealing set for bottom plate

Gasket for sliding gland plates.

Material

Polyurethane foam

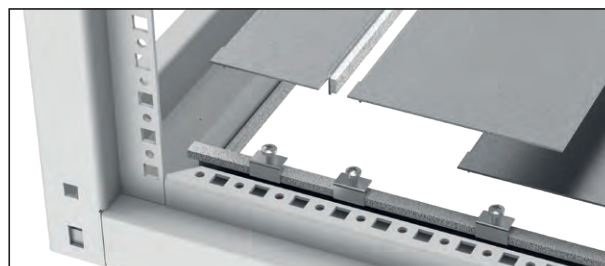
Scope of delivery

Self-adhesive gasket, length 3.2 m.



Self-adhesive gasket

Package	Catalogue number
1 szt.	WZ-1951-45-10-000



ACCESSORIES FOR SZE2 CABINETS

CABLE GLAND PLATES AND BLANKING PLATES

Blanking and cable entry plates for cabinet's top plate

Available in 5 types.

For dimensions and spacing of openings in the top plate of the SZE2 cabinet, see page 19.

Material

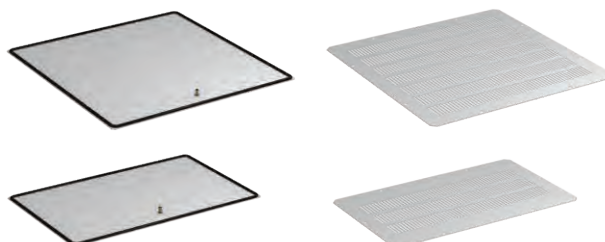
Sheet steel powder painted in RAL 7035.

Scope of delivery

Blanking or cable entry plate with mounting elements for fixing inside the cabinet.

Type of blanking or cable entry plate	Protection degree of cabinets equipped with a blanking plate		For opening [mm]	Catalogue number
	Cabinet without a roof	Cabinet with a roof		
Solid blanking plate	IP 54/55	IP 54/55	380 x 380	WZ-4810-07-00-011
			380 x 210	WZ-1951-26-00-011
Perforated blanking plate	IP 20	IP 21	380 x 380	WZ-1718-39-01-011
			380 x 210	WZ-1718-39-02-011
Blanking plate with a fabric filter	IP 10	IP 21	380 x 380	WZ-1718-42-01-011
			380 x 210	WZ-1718-42-02-011
Cable entry plate with a brush strip	IP 00	IP 21	380 x 380	WZ-5271-10-00-011
			380 x 210	WZ-5271-14-00-011
Cable entry plate with a foam strip	IP 10	IP 21	380 x 380	WZ-1718-40-01-011
			380 x 210	WZ-1718-40-02-011
Cable entry plate with a fabric filter and a brush strip	IP 00	IP 21	380 x 380	WZ-5B76-00-00-011

Package: 1 set



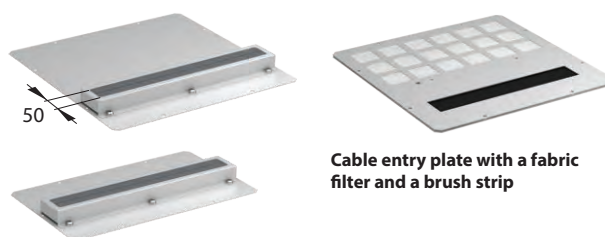
Solid blanking plates with a sealing gasket

Perforated blanking plates



Blanking plates with a fabric filter

Cable entry plates with a brush strip



Cable entry plates with a foam strip

Cable entry plate with a fabric filter and a brush strip

Kit of sliding gland plates with a foam strip

For 800 mm deep SZE2 cabinets.

Consists two foam cable entry strips.

Material

Al-Zn coated sheet steel, polyurethane foam.

Scope of delivery

Set of 4 sliding gland plates with foam, 1 central plate, fixing elements.

Used for one opening in SZE2 cabinet bottom plate (note: 1000 and 1200 mm wide cabinets have two openings in the bottom plate).

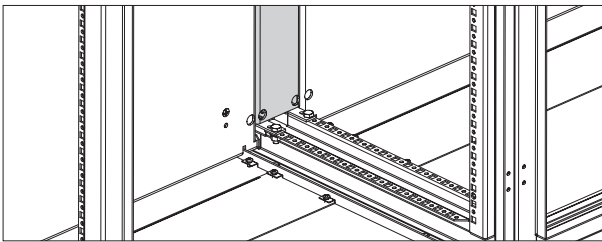
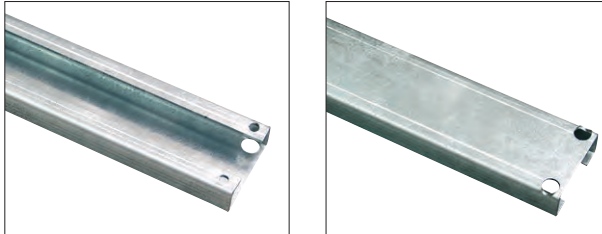


For cabinet width [mm]	Width of the opening for the sliding gland plate L1 [mm]	Width of the sliding gland plate L2 [mm]	Catalogue number
800	586	616	WZ-5716-13-05-000
1200 or 600	386	416	WZ-5716-13-07-000
1000	356	386	WZ-5716-13-03-000

Package: 1 set

ACCESSORIES FOR SZE2 CABINETS

BAYING CABINETS IN ROWS

**Mounting plate infill**

The plate infill makes it possible to achieve uniform mounting plane in cabinets bayed in rows.

Material

Zinc coated sheet steel

Scope of delivery

Mounting plate infill with fixing accessories for mounting into the cabinet.

For cabinet height [mm]	Mounting plate infill dimensions [mm] (HxWxD)	Catalogue number
2000	1867 x 86 x 30	WZ-1951-47-01-000
2200	2067 x 86 x 30	WZ-4950-30-00-000

Package: 1 pc.

**Partition**

For the cabinets bayed in rows. It is assembled in the same way as flushed side panels (see page 28).

Material

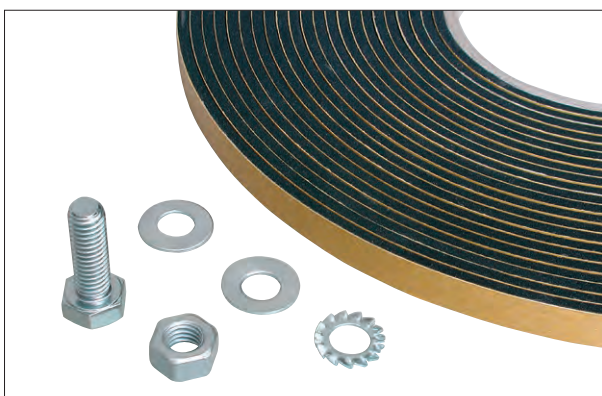
Al-Zn coated sheet steel

Scope of delivery

Partition (1 pc.) with fixing accessories for mounting into the cabinet.

height [mm]	For cabinet		Catalogue number
	depth [mm]		
2000	400		WZ-1951-31-13-000
	500		WZ-1951-31-03-000
	600		WZ-1951-31-02-000
	800		WZ-1951-31-01-000
2200	500		WZ-4950-25-03-000
	600		WZ-4950-25-02-000
	800		WZ-4950-25-01-000

Package: 1 pc.

**Set of elements for baying cabinets**

For cabinets bayed in rows.

One set is required for baying two cabinets together.

Set includes	Quantity	Catalogue number
Screw M8x25	6 pcs.	WZ-1951-45-00-000
Nut M8	6 pcs.	
Washer 8.4	12 pcs.	
Toothed washer 8.4	6 pcs.	
Self-adhesive gasket	6 m	

Package: 1 set

ACCESSORIES FOR SIZE2 CABINETS

HEATING, VENTILATING AND COOLING

Heater

Compact heat device equipped with fan.

Technical data

- Power supply 230 V AC 50-60 Hz
- Heating force 200/400 W
- Fan capacity 10 m³ /h
- Protection degree IP 20
- Dimensions 71x70x95 mm

Features:

- 2 power ranges depending on how connect the power cord,
- independent power supply circuit of the fan.

Scope of delivery:

- heater,
- DIN rail,
- two holders,
- screw clamps for connecting power cords.

Package	Catalogue number
1 pc.	WN-0316-09-00



Thermostat

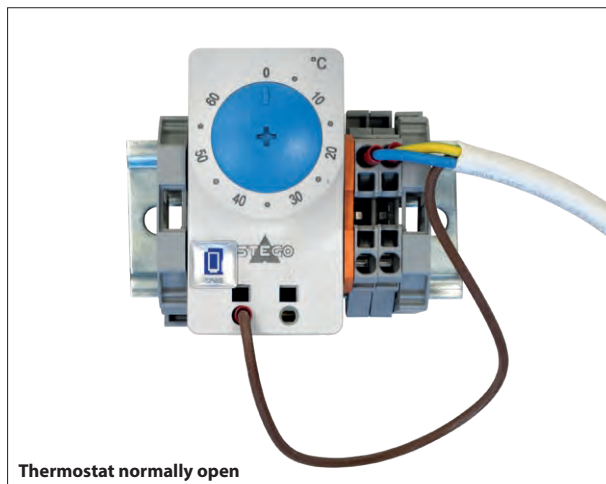
Thermostatic regulator indicated for controlling fans, heaters, heat exchanger or for attaching signal generator at exceeding preset temperature limits.

Technical data

- Sensor element: thermal bimetal
- Temperature range: 0-60 °C, hysteresis ca. 7 °C
- Contact types: snap action contact
- Power carrying capacity: 6 A (1) 250 V AC
- Radio frequency interference: N (according to VDE 0875)

Scope of delivery:

- thermostat,
- DIN rail,
- cable,
- two holders,
- two clamps.

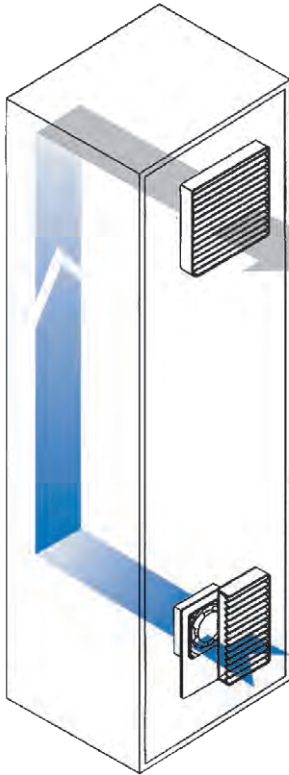


Thermostat normally open

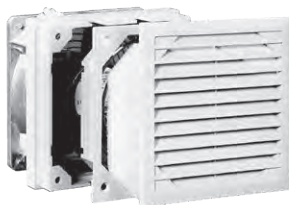
Type of thermostat	Colour of handwheel	Package	Catalogue number
Normally closed Switches off devices (e.g. heaters) at selected temperature limit.	●	1 pc.	WN-0201-01-00-000/A
Normally open Switches on ventilation system (e.g. fans) at selected temperature limit.	●	1 pc.	WN-0201-02-00-000/A

ACCESSORIES FOR SZE2 CABINETS

HEATING, VENTILATING AND COOLING



Example of ventilation of the cabinet with forced air circulation



Example of filter fans

Filter fans and exhaust filters

- Intended for mounting in side panels and door of the cabinet.
- Fastened with latches and screws.
- Enclosure made of ABS material, light grey (RAL 7035).
- Equipped with high quality filter inserts and gaskets.
- Possibility of changing direction of air flow by turning the fan.

Type of fan supply

230 V AC (50/60 Hz)

On request: 115 V AC (50/60 Hz) or 24 V DC

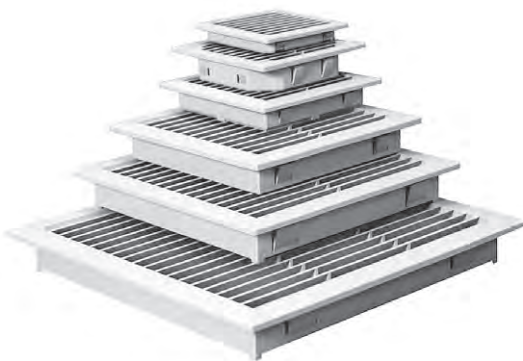
Protection degree

IP 54 in accordance with EN 60529

Selection of filter fans and exhaust filters should be consulted with ZPAS customer service.

FILTER FANS

Type	Air flow through filter fan [m ³ /h]		Dimensions [mm]		Catalogue number
	without filter	with filter	montage opening	overall dimensions	
LV100	25	15	92 x 92	105 x 105	M1S-01-0026
LV200	58	40	116 x 116	130 x 130	M1S-01-0043
LV250	63	42	125 x 125	148 x 148	M1S-01-0074
LV300	115	90	177 x 177	204 x 204	M1S-00-0010
LV400	250	205	223 x 223	250 x 250	M1S-00-0011
LV410	250	205	223 x 223	250 x 250	M1S-01-0070
LV500	315	235	223 x 223	250 x 250	M1S-01-0066
LV550	370	260	223 x 223	250 x 250	M1S-00-0055
LV600	580	385	292 x 292	323 x 323	M1S-01-0067
LV700	730	530	292 x 292	323 x 323	M1S-00-0045
LV800	930	610	292 x 292	323 x 323	M1S-01-0104

EXHAUST FILTER

Exhaust filter

Type	Dimensions [mm]		Catalogue number
	montage opening	overall dimensions	
GV100	92 x 92	105 x 105	M1S-03-0007
GV200	116 x 116	130 x 130	M1S-03-0023
GV250	125 x 125	148 x 148	M1S-03-0030
GV300	177 x 177	204 x 204	M1S-03-0010
GV400/500	223 x 223	250 x 250	M1S-03-0011
GV600/700	292 x 292	323 x 323	M1S-03-0031

ACCESSORIES FOR SZE2 CABINETS

HEATING, VENTILATING AND COOLING

Air conditioner and heat exchanger

On customer's request, SZE2 cabinets can be equipped with an air conditioner or heat exchanger (air/air type) fixed on the doors, side panels or in the top plate.

Mode of operation

Internal cabinet air is sucked up from the top, cooled inside the air conditioner or heat exchanger and returned the cabinet at a high speed towards the bottom. This solution ensures optimum cooling of the entire cabinet.

Protection degree

Air conditioners and heat exchangers in standard ZPAS offer have IP 54 protection degree.



Heat exchangers

AVAILABLE TYPES OF AIR CONDITIONERS

Side/door-mounted

- PROTHERM Indoor
- basic series of air conditioners
- 330-4000 W cooling power
- designed for mounting on cabinet side panel or door

SLIM

- for applications where flat air conditioner is required
- 500-3000 W cooling power
- designed for mounting on cabinet side panel or on cabinet door

PROTHERM Outdoor

- for use outdoors
- 550-4000 W cooling power
- two mounting options: outside or inside a cabinet
- optional built-in heater

Roof-mounted

TOP

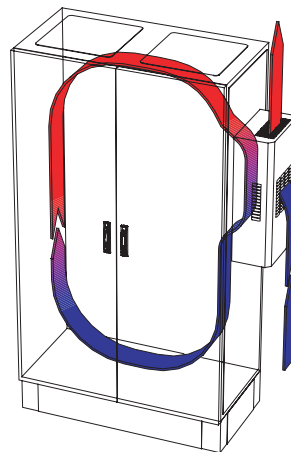
- mounted on cabinet roof
- 330-5200 W cooling power
- most models equipped with triple condensate protection system

Modular

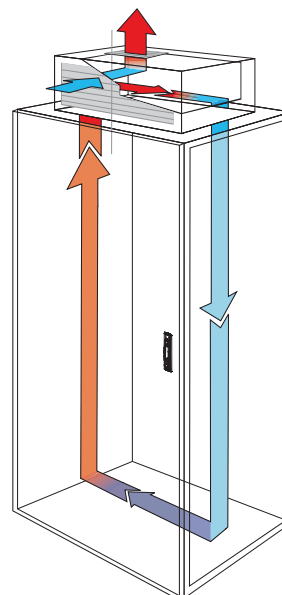
MODULE

- for cabinet sets, mounted on the side of a cabinet with a depth 600 or 800 mm
- 5800-10000 W cooling power
- all models with electronic control

Selection of the air conditioner or heat exchanger should be consulted with ZPAS customer service.



Air conditioner fixed on cabinet's side panel



Air conditioner fixed on cabinet's top plate



ACCESSORIES FOR SZE2 CABINETS

MODULAR SYSTEM

**ZPAS Modular System**

ZPAS Modular System is intended for designing switchgears based on SZE2 power cabinets. Modular equipment is installed on dedicated structure.

Basic elements

1. Mounting profiles II (see page 57)
2. Mounting bar UNI (see pages 57, 42)
3. Fixing accessories set (see page 57)
4. DIN rail (see page 58)
5. Assembly angles (see page 58)
6. Module panels 150 (see page 58)
7. Module blanking plates 150, 100, 50 (see page 59)
8. Horizontal and vertical module panels (see page 59)

Switchgears based on this design are featured with IP 30 safeto-touch (for live parts) protection degree. Once closed, SZE2 cabinets are IP 54 protected.

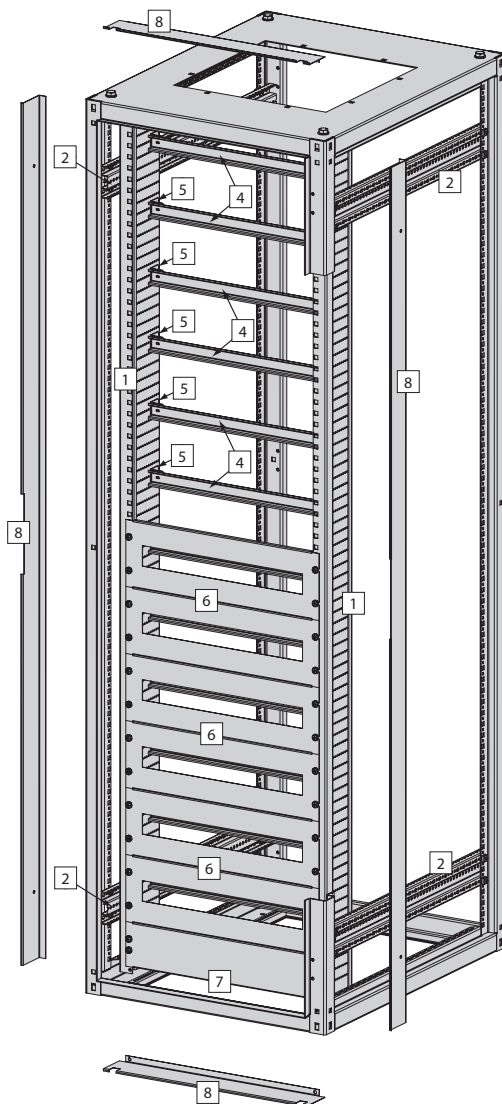
Each switchgear based on SZE2 cabinets is subdivided into bay height modules (BHM). Each module is 150 mm high.

Normally, switchgears equipped with a rail system are composed of 3 mounting zones:

- busbar system zone (3 BHMs),
- apparatus assembly zone (8 BHMs in case of the cabinets 2000 mm high),
- cable entry zone (1 BHMs + 100 mm).

With such a switchgear construction, the cabinets with the below listed dimensions (height x width) can contain the below listed number of modules of modular equipment:

- cabinet 2000 mm x 600 mm – 288 modules (18 mm);
- cabinet 2000 mm x 800 mm – 432 modules;
- cabinet 2000 mm x 1000 mm and 2000 mm x 1200 mm – 576 modules, respectively.



ACCESSORIES FOR SZE2 CABINETS

MODULAR SYSTEM

Mounting profiles II

Mounting profiles are a racking system, and the other components of modular equipment installation sets (i.e. module panels, assembly angles and DIN rails) are attached to this system. The rail location can be smoothly adjusted with reference to the cabinet width.

Material

Al-Zn coated sheet steel

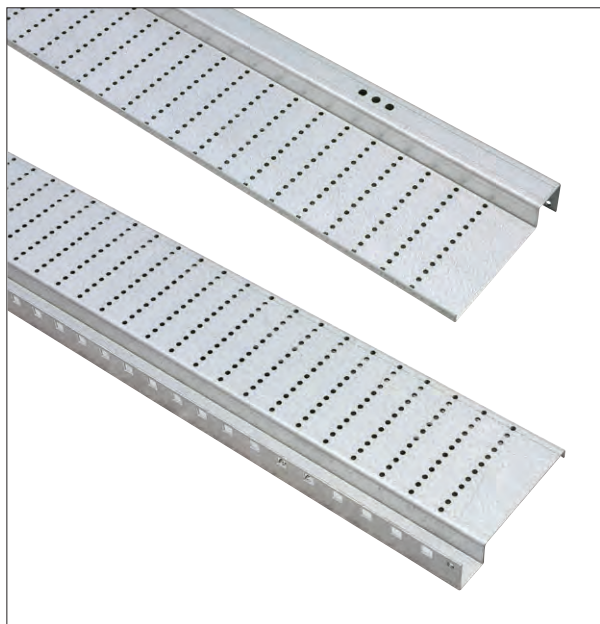
Scope of delivery

Mounting profile without fixing accessories (to be ordered separately).

For cabinet height [mm]	Capacity of mounting profile II*	Catalogue number
2000	12	WZ-4881-67-02-000
2200	14	WZ-4881-67-04-000

Package: 2 pc.

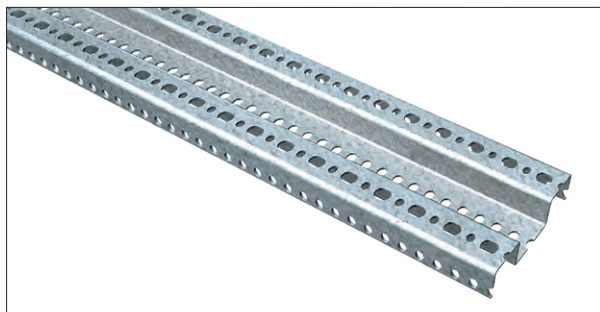
* Maximum number of built-in DIN rails



Mounting bars UNI

Four mounting bars UNI, whose length is matched to the cabinet depth, are necessary to install mounting profiles II inside SZE2 cabinet.

A detailed description of the mounting bars UNI can be found on the page 42.



Mounting profile II fixing elements

A set of fixing accessories for fastening 2 pcs. mounting profiles II to mounting bars UNI.

Description of set	Package	Catalogue number
Screw M6x16 - 4 pc. Nut M6 - 4 pc. Washer - 8 pcs Toothed washer - 4 pc.	1 set	WZ-5B00-37-04-000



ACCESSORIES FOR SZE2 CABINETS

MODULAR SYSTEM

**DIN rail**

The rail is intended for the installation of modular equipment.

Rail depth: 15 mm

Note: In case of cabinets 1000 and 1200 mm wide, heavy modular equipment can be installed differently. For more information, please contact ZPAS sales department.

Material

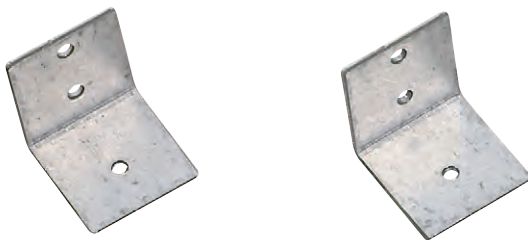
Galvanized steel sheet

Scope of delivery

DIN rail without fixing accessories.

For cabinet width [mm]	Catalogue number
600	WZ-0573-52-24-000
800	WZ-0573-52-23-000
1000	WZ-0573-52-22-000
1200	WZ-0573-52-21-000

Package: 1 pc.

**Assembly angles**

These angles are used for fixing DIN rails with the mounting profile II. Two angles are necessary to fix one rail.

Material

Al-Zn coated sheet steel

Scope of delivery

An angle (1 pc.) with fixing accessories to fix it to the mounting profile II and the DIN rail.

Package	Catalogue number
1 pc.	WZ-0573-52-30-000

**Module panel 150**

Module panels are fixed directly to the mounting profiles II. 150 mm high, the module panels are intended for hiding modular equipment installed on the DIN mounting rail.

Material

Powder painted RAL 7035 steel sheet.

Scope of delivery

Module panel with fixing accessories.

For cabinet width [mm]	Module panel capacity (number of S-type modules, 18 mm wide)	Catalogue number
600	24	WZ-4881-68-01-011
800	36	WZ-4881-68-02-011
1000	48	WZ-4881-68-03-011
1200	48	WZ-4881-68-04-011

Package: 1 pc.

ACCESSORIES FOR SIZE2 CABINETS

MODULAR SYSTEM

Module blanking plates 150, 100, 50

These module blanking plates are used to fill free space left after modular equipment has been installed in the cabinet.

Depending on the cabinet height, it is necessary to use a blanking plate, other than the one 150 mm high:

- cabinet 1800 mm high – blanking plate 50 mm
- cabinet 2000 mm high – blanking plate 100 mm



Material

Powder painted RAL 7035 steel sheet.

Scope of delivery

Module panel with fixing accessories.

For cabinet width [mm]	Catalogue number		
	Module blanking plate 150 mm high	Module blanking plate 100 mm high	Module blanking plate 50 mm high
600	WZ-4881-68-05-011	WZ-4881-71-01-011	WZ-4881-72-01-011
800	WZ-4881-68-06-011	WZ-4881-71-02-011	WZ-4881-72-02-011
1000	WZ-4881-68-07-011	WZ-4881-71-03-011	WZ-4881-72-03-011
1200	WZ-4881-68-08-011	WZ-4881-71-04-011	WZ-4881-72-04-011

Package: 1 pc.

Horizontal and vertical module panels

These panels are intended to protect horizontal and vertical space between mounting profiles II and cabinet frame.

Material

Powder painted RAL 7035 steel sheet

Scope of delivery

Horizontal or vertical module panel with fixing accessories.



Product name	Catalogue number	
Vertical module blanking plate for the cabinets height:	2000 mm	WZ-4881-69-02-011
	2200 mm	WZ-4881-69-04-011
Horizontal module blanking plate for the cabinets width:	600 mm	WZ-4881-70-01-011
	800 mm	WZ-4881-70-02-011
	1000 mm	WZ-4881-70-03-011
	1200 mm	WZ-4881-70-04-011

Package: 1 pc.